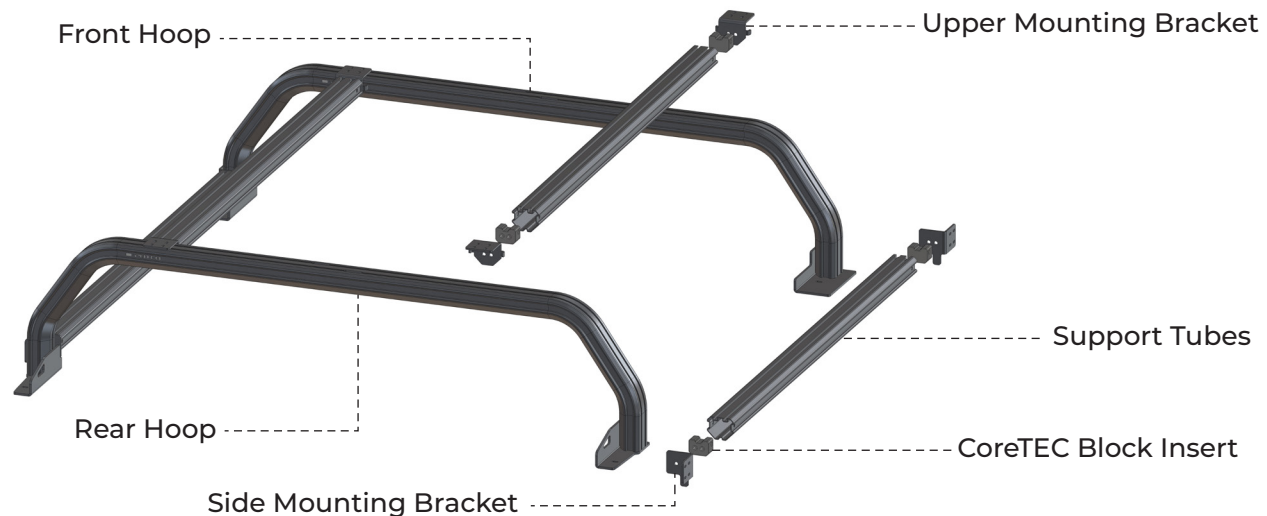


PUTCO® VENTURE TEC RACK™

INSTRUCTION GUIDE



Congratulations on your purchase of a high quality PUTCO® product. Should you need any application or technical assistance, feel free to call us at:

1-800-247-3974

Monday-Friday 8:00am - 5:00pm (Central Standard Time)
Contact your PUTCO® dealer for other quality accessories.



**PLEASE READ ALL INSTRUCTIONS BEFORE INSTALLATION
AND CHECK TO SEE THAT ALL PARTS ARE INCLUDED**

REQUIRED TOOLS

HEX KEYS OR SOCKETS
(sizes: 7/32", 3/16", 5/32")

X-ACTO / UTILITY KNIFE



WRENCH OR SOCKET (sizes: 9/16", 7/16")



CONTENT LIST

QTY

Rear Hoop (etched hoop)	1
Front Hoop	1
CoreTEC Block Inserts	8
Support Tubes	4
Vehicle Specific Hardware Mounting Kit	1
Upper Mounting Brackets	4
Side Mounting Brackets	4
Rack Hardware Kit	(Bag #185601) 1
Accessory Mounting Kit	(Bag #185602) 1
Universal Tent Bracket Kit	(Bag #185603) 1
Blue Loc Tite	1



NOTE: Steps 1-5 may not apply to your specific vehicle. Please refer to independent instructions sheet included with your Venture TEC Rack Mounting Kit.

1 Use X-Acto knife/razor blade to cut open stake pocket (if not already exposed).

2 Use 2 rubber bands to hold threaded plate to mounting bracket. Make sure threaded hole is not obstructed (Figure 1).

3 Thread the 3.25" long bolt into the bracket assembly, and lower it into the stake pocket. **NOTE: Some brackets are driver/passenger side specific.** Make sure nut clip is facing into the bed of the truck, and is centered in hole of bed wall as seen in Figure 2. (Using blue loc tite is recommended in order to ensure all bolts stay tight long term).

4 Loosely thread 3/8" bolt with oval washer (flat washer on Ford) through bed wall into bracket. Temporarily remove 3.25" bolt from top of bracket. See Figure 3.

5 Repeat steps 1-4 on other stake pockets.

6 Insert 8 square nuts into each channel of both racks. Slide square nuts down to the mounting plate, so that both sides of the hoop look like Figure 4. Position remaining square nuts in top channel near bend, as shown in Figure 5.

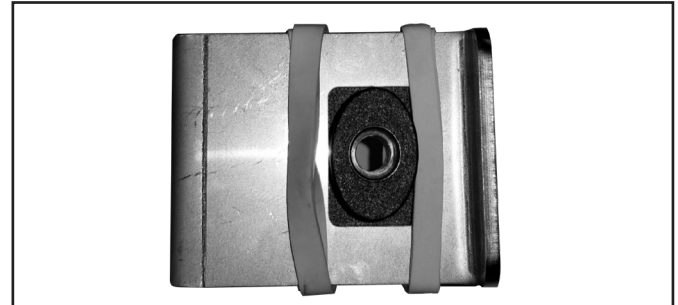


Figure 1: Threaded plate held to mounting bracket by rubber bands

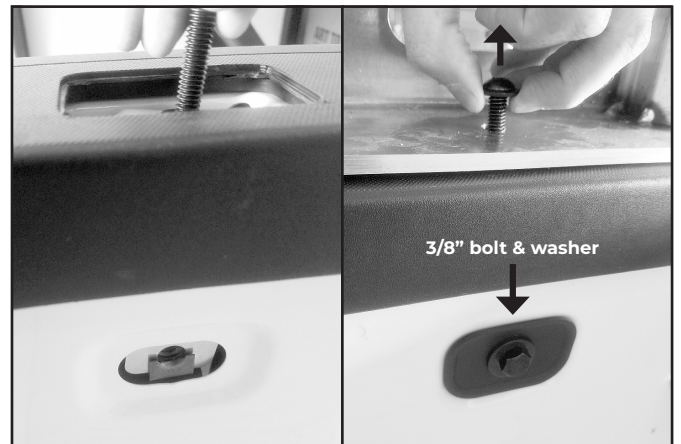


Figure 2 (Left): Nut clip centered in hole of bed
Figure 3 (Right): Bolt & Washer threaded into bracket



Figure 4: 4 square nuts slid towards the mounting plate



Figure 5: square nuts are slid towards the corner

7 Position the front hoop over the stake pockets and thread the 3.25" bolt through the bracket in the stake pocket. Be careful not to knock loose threaded nut plate. Leave the bolt slightly loose to allow the rack to seek its natural position.



8 Repeat step 7 for the rear hoop. **Note: Rear hoop is etched and has tie-down holes in mounting plate.**

9 Locate the four support tubes. Slide CoreTec threaded insert into tube. The offset threaded holes should be towards the inside of the rail (Figure 6). Fasten it into place using 3/8" x 5/8" bolts. When properly installed, the CoreTec insert should be flush with the end of the tube.

10 Locate the rail mounting brackets for the rack. Position the rail mounting brackets as shown in Figures 7 and 8. Figure 7 shows the correct setup for the brackets that mount on the side of the hoops, and Figure 8 shows the correct setup for brackets that mount on the top of the hoops.

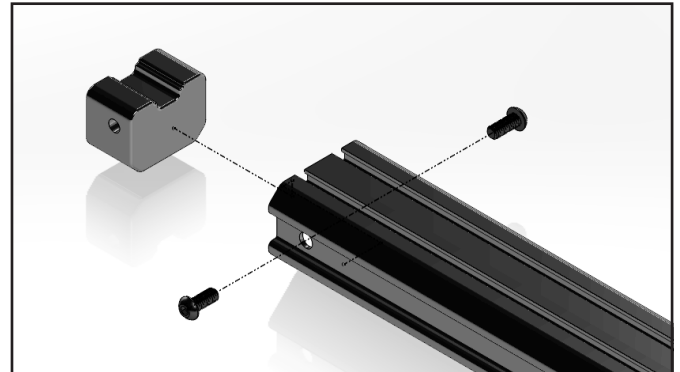


Figure 6: Diagram showing proper threaded insert installation

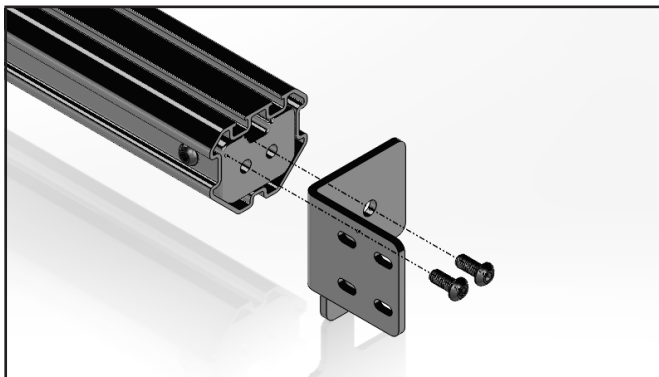


Figure 7: Proper side mounting bracket installation

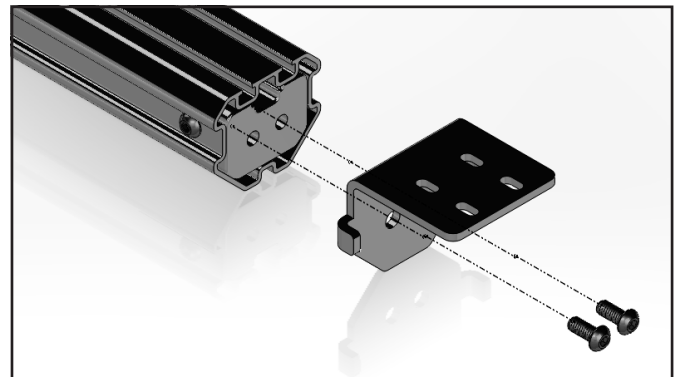


Figure 8: Proper top mounting bracket installation

11 Locate the tubes that will sit at the top of the rack. Position the bracket so that the outside edge of the bracket sits at the start of the bent edge of the hoop as shown in Figure 9. The easiest way to get the tubes into place is to get one side in and then insert the other side diagonally so that the tabs on the bracket fit into the channel of the hoop as shown in Figure 10. vSlide the square nuts under the mounting holes in the bracket, and thread in the 1/4"-20 x 1/2" bolts. Repeat the process for the other tube.

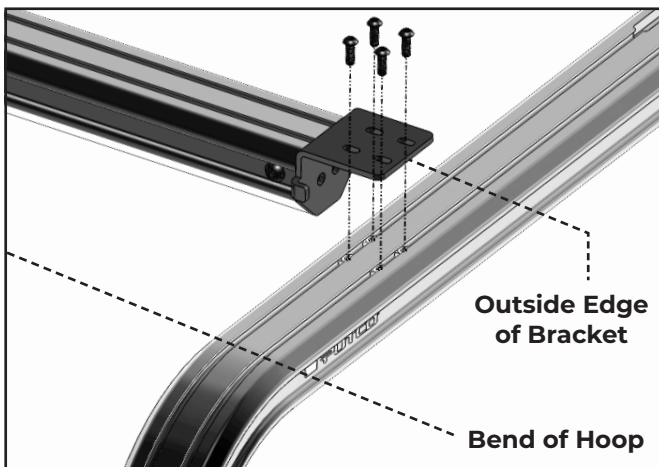


Figure 9: Diagram showing top tube installation

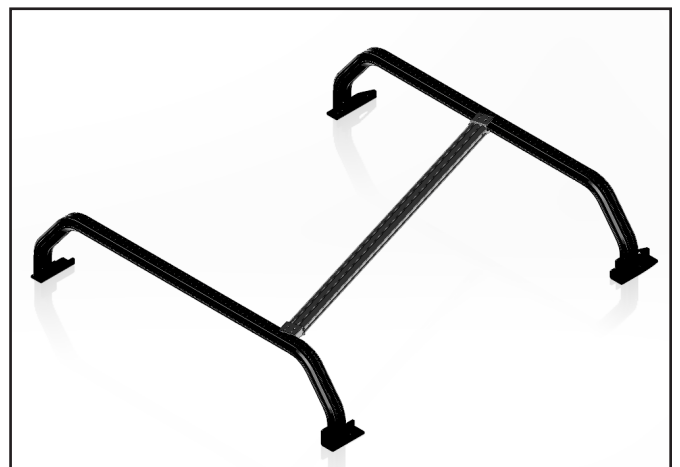


Figure 10: Diagram showing one side inserted and the other side inserted diagonally.



12 Before installing the tubes on the side of the hoop, tighten the 3.25" bolt on the front hoops, as you will not be able to reach them once the tubes are installed on the sides.

13 Locate the two side tubes. Starting with the top mounting holes, use the alignment tool to push square nuts into position by pressing the lip of the tool against the bottom edge of mounting bracket and the tip of the tool against the square nut (Fig 11a). The long leg is used to align the top mounting locations, and the shorter leg is used to align the lower mounting locations. Fasten 1/4"-20 bolts into square nuts, as shown in Figure 11b.

14 Tighten the 3.25" bolt on the rear mounting plates, and double check to make sure all other hardware is tight.

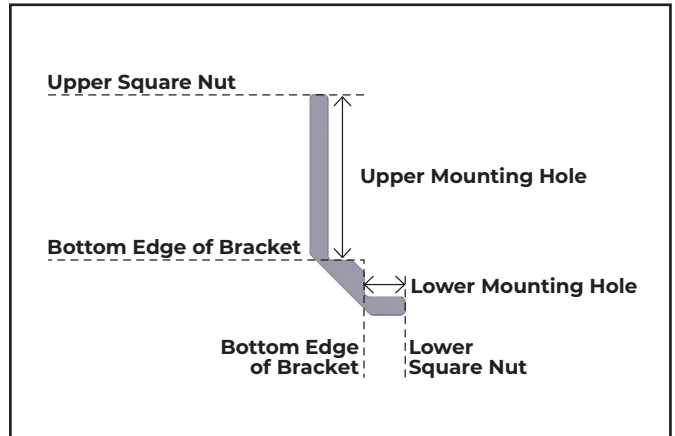


Figure 11a: Diagram showing the alignment tool

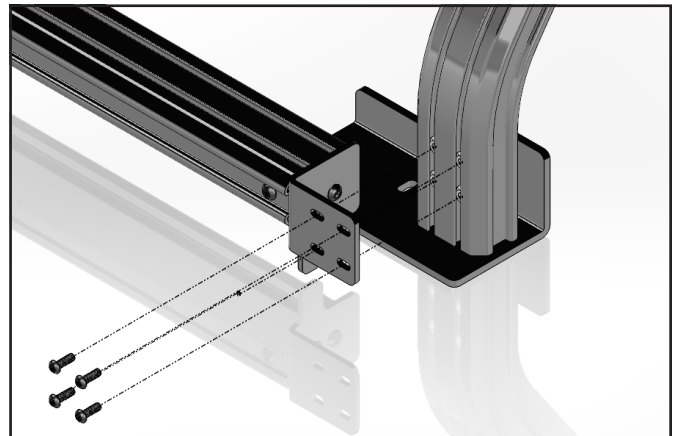


Figure 11b: Diagram showing the correct side tube mounting

Your new Venture TEC Rack is now successfully installed on your vehicle! Let the adventures begin!

WARNING:

- Make sure to periodically check that bolts are tight.
- Ensure that all accessories are securely mounted.
- Do not exceed maximum load recommended by vehicle manufacturer.
- Do not exceed maximum load rating of tent manufacturer, if applicable.
- Be aware of reduced clearance when accessories are mounted on top of the rack.