

2015+ GMC Sierra HD Bumper Grille Installation Instructions

Congratulations on your purchase of a high quality PUTCO product. Should you need any application or technical assistance, feel free to call us at: 1-800-357-9261
Monday-Friday 8:00 a.m. - 5:00 p.m. (Central Standard Time)
Contact your PUTCO dealer for other quality accessories.

Please read all instructions before installation and to check to see that all parts are included.

KIT CONTENTS:	
Description	Qty.
Bumper Grille	1
Hardware Kit	
J Brackets	2
#8-32 Bolts	2
Only for Lighted Grille (below)	
Light Bar (Installed)	1
Wiring Harness	1
Switch	1
Light Bar Installation Instructions	1

Bumper Grille Installation

1. Remove bumper grille from packaging. Check to see if all parts from above table are included.
2. Place bolts and brackets into grille on both sides as shown in Figure 1



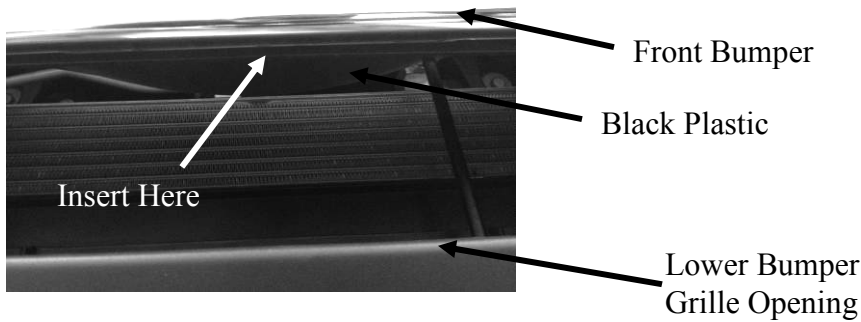
Figure 1

3. Tilt grille into bumper opening, top first, verifying that tabs on the top of the grille slide in-between the chrome bumper and black plastic, location shown in Figure 2

LIMITED 90 DAY WARRANTY

Putco guarantees it's Stainless Steel and Aluminum products against defects in workmanship and material for as long as you own your vehicle. All painted products have a 90 day warranty on the painted surface. Any defects resulting from faulty material or workmanship will be warranted by Putco and repaired or replaced at our discretion. Putco assumes no extra labor costs. Damages caused by freight carriers, improper installation, misuse, collision, or neglect will not be warranted by Putco.

Figure 2



- Slide J brackets around back edge on the black plastic in bumper grille opening. Figure 3 shows how that brackets should look when they are tightened down.

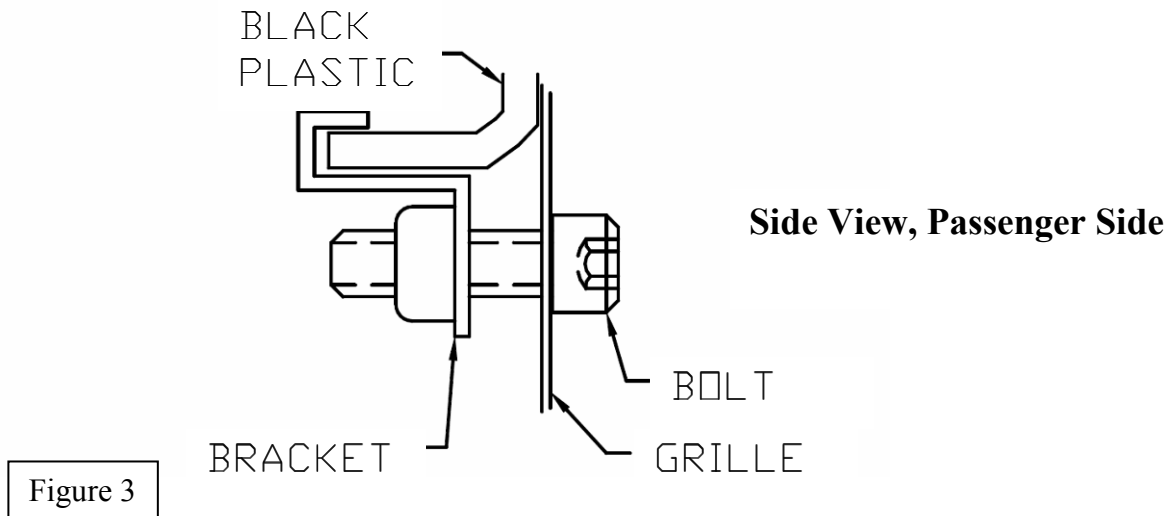


Figure 3

- Tighten bolts through grille in locations shown in Figure 4. Use included hex wrench to tighten bolts. Tighten both bolts until grille is tight to bumper. ENJOY!

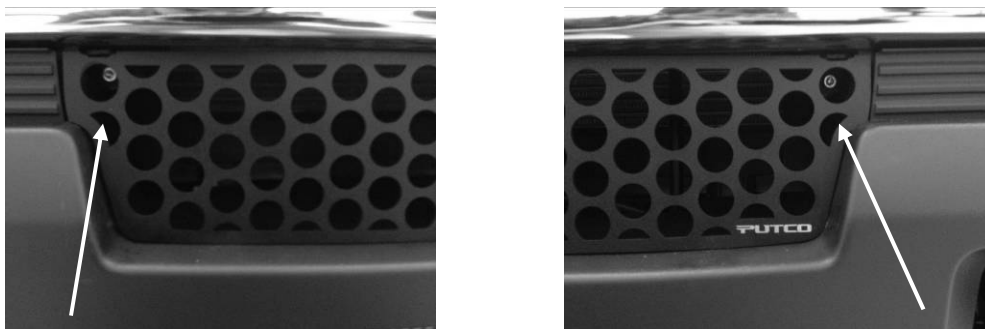


Figure 4

- Continue onto wiring instructions if you purchased the lighted grille.

LIMITED 90 DAY WARRANTY

Putco guarantees it's Stainless Steel and Aluminum products against defects in workmanship and material for as long as you own your vehicle. All painted products have a 90 day warranty on the painted surface. Any defects resulting from faulty material or workmanship will be warranted by Putco and repaired or replaced at our discretion. Putco assumes no extra labor costs. Damages caused by freight carriers, improper installation, misuse, collision, or neglect will not be warranted by Putco.