

Installation Manual

Procomp Electronics

UNIVERSAL

WIRING HARNESS KIT

Installation Instructions for Universal Wiring Harness Kits

The universal wiring kit that you have purchased was developed so that it can be installed by the average home car builder. This harness is designed for a wide variety of vehicles with many potential electrical components you will find that your installation may not require all of the options included in the kit. You may find that your vehicle's requirements may require you to modify the installation process to fit your exact needs. On colored coded versions, you will find the GM colors are the standard

PLEASE READ THE FOLLOWING INSTRUCTIONS CAREFULLY:

This kit does not include all the wire and connectors you need to wire up a complete vehicle. This wire harness kit is designed to replace your fuse box and main wire harness only. The wires that come out of the fuse box are designed to go directly to your vehicles existing switches and connectors. You will use your factory harness, or supply your own wire to complete the rest of the wiring after the switch or connector. The instructions include basic wiring diagrams to show how to integrate this harness to standard vehicle wiring system. The diagrams are for reference only and do not indicate how your vehicle is wired. The diagrams also show other wires and components that are not included in your kit.

MOUNTING THE FUSE PANEL:

The best place to mount the fuse panel is in a flat dry location away from any heat source near the steering column. It is important to note that you should avoid running or mounting wire away from any moving parts such as: brake pedal, gas pedal, linkage controls, and steering controls. Once mounted, find a location on the firewall and drill a 1 1/4" hole to run all needed wires into the engine compartment of the vehicle.

NOTE: Every wire coming out of the fuse box will have its own separate circuit diagram shown below.

CAUTION: Disconnect the terminals from the battery before working on the wiring harness.

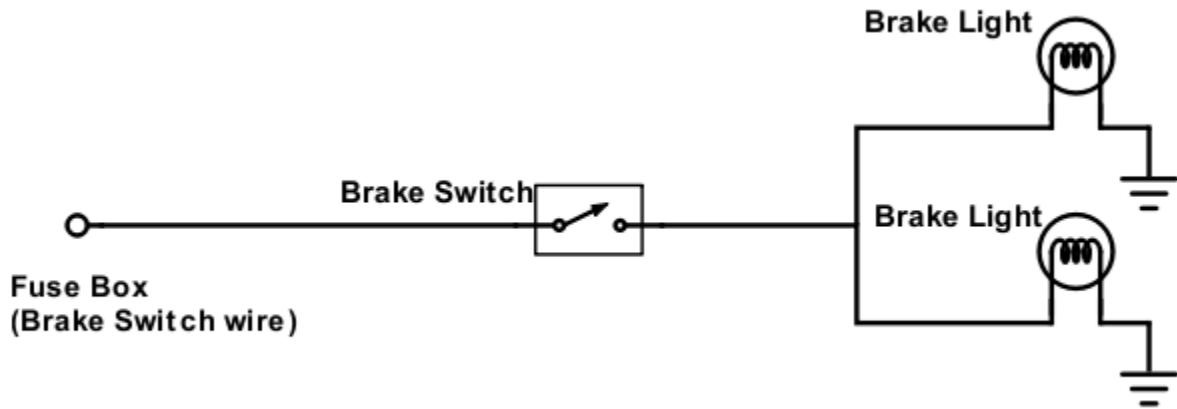
TOOLS NEEDED: Crimping tool, wires, electrical tape/heat shrink, etc.

Wiring Harness Diagrams

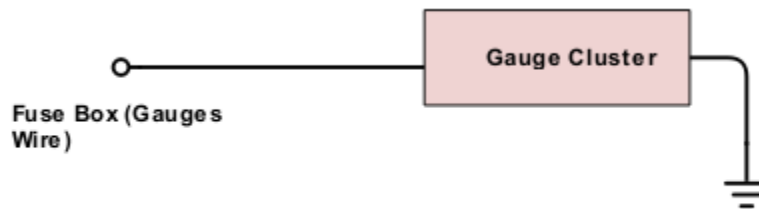
Wiper Switch Circuit



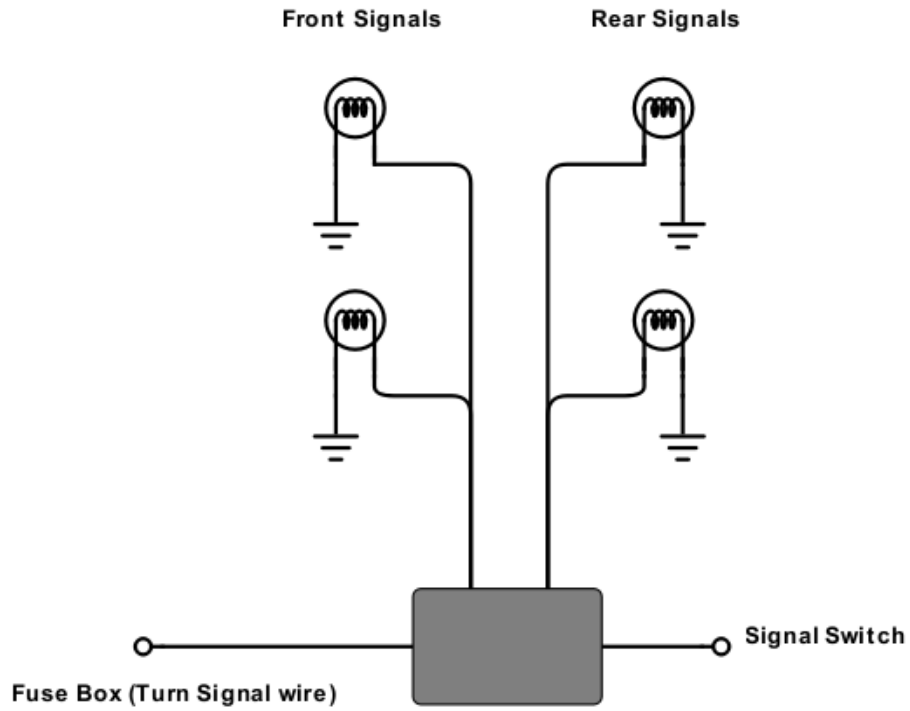
Brake Switch Circuit



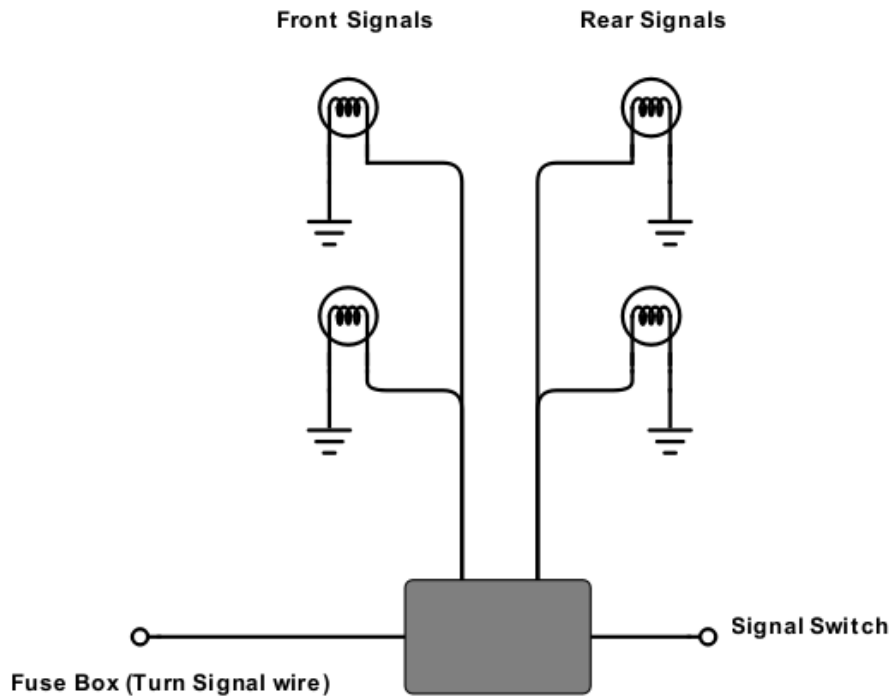
Gauge Circuit



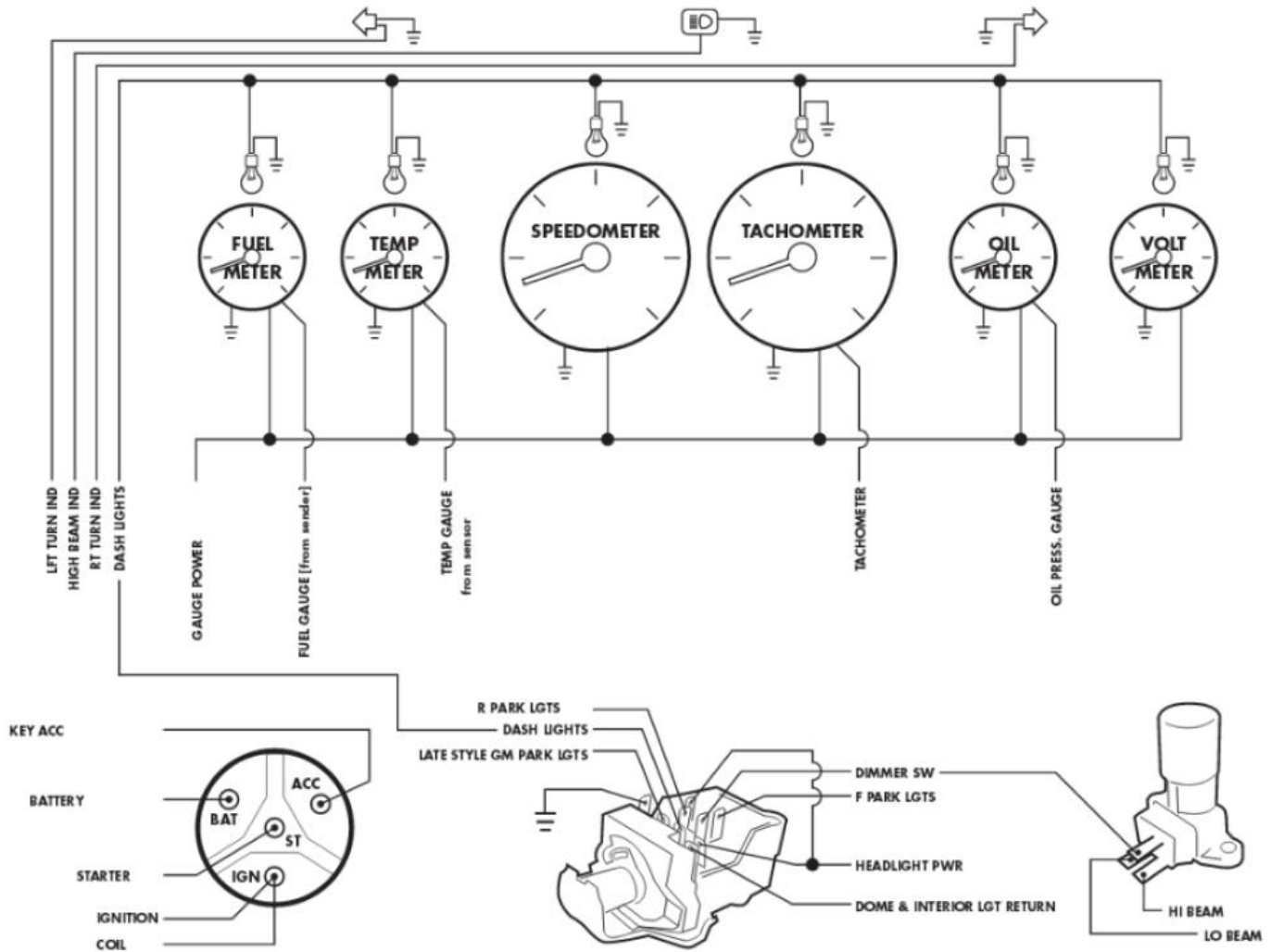
Turn Signal Circuit



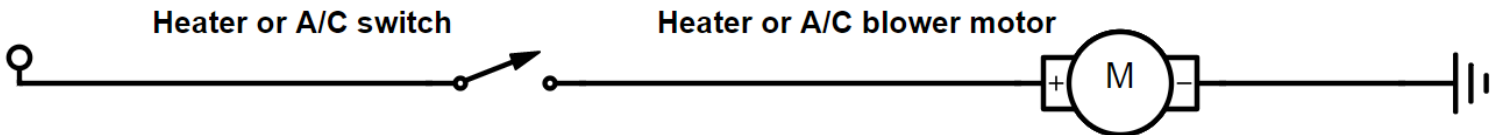
Hazard Circuit



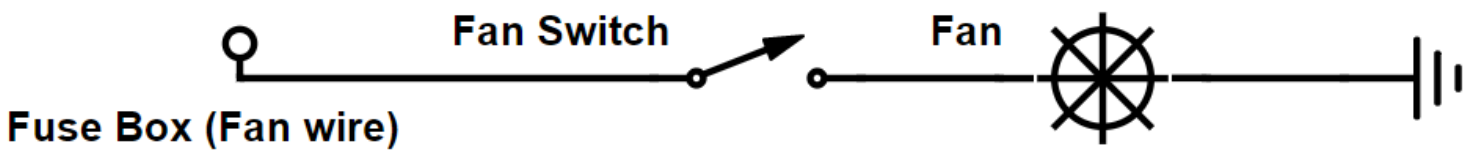
Cluster Circuit



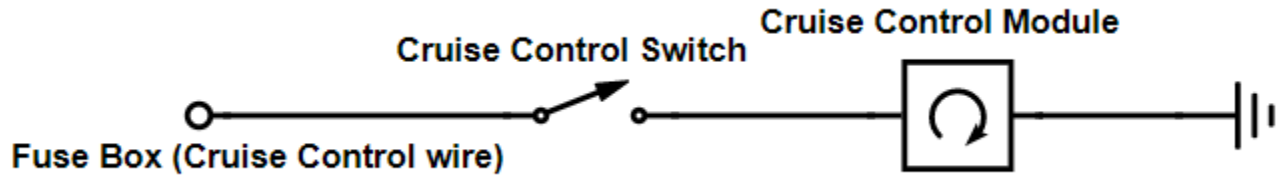
Heater or A/C Circuit



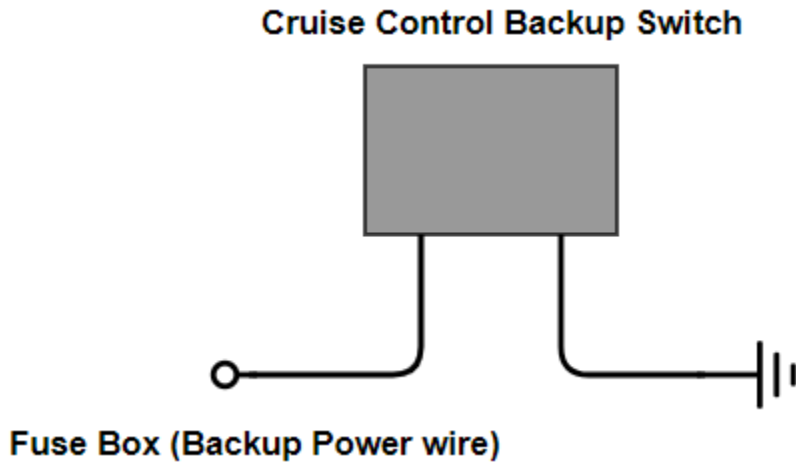
Fan Circuit



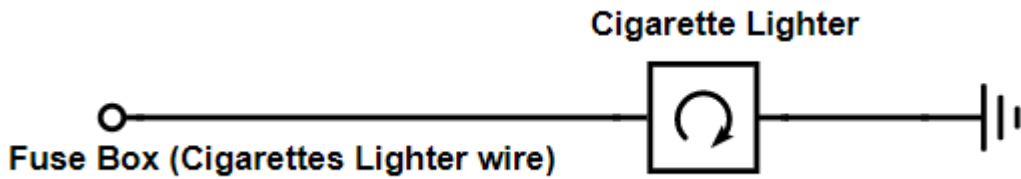
Cruise Control Circuit



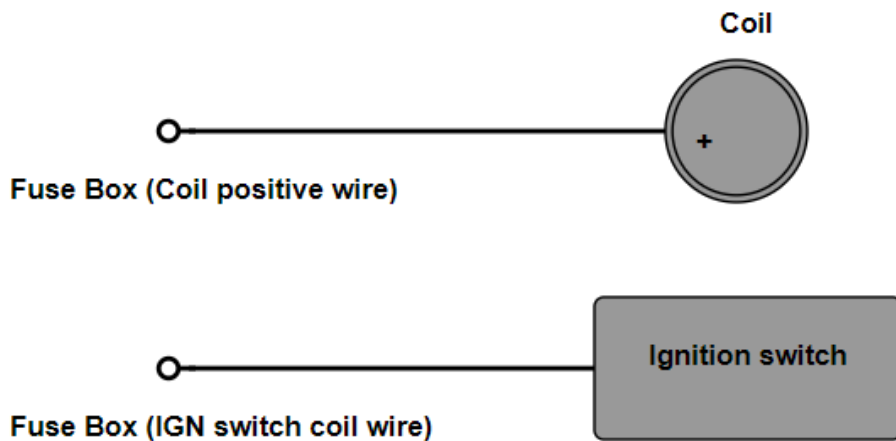
Backup Circuit



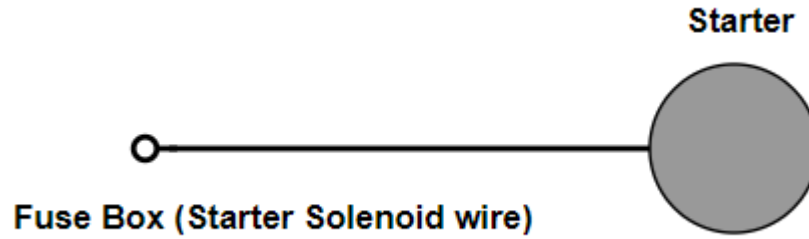
Cigarette Lighter Circuit



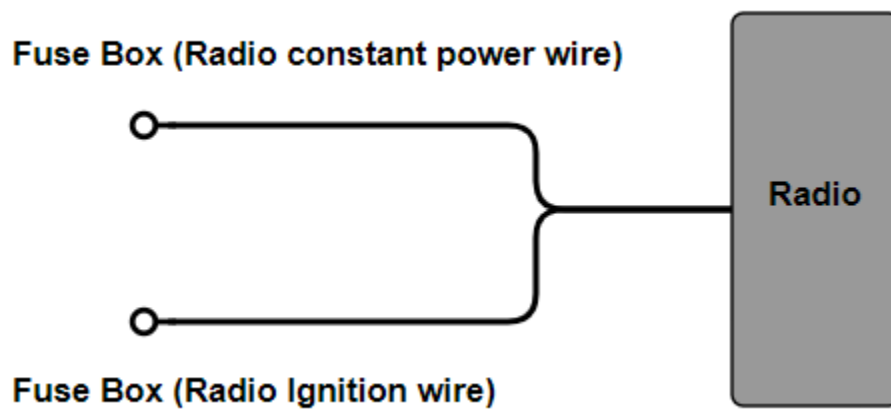
Coil Circuit



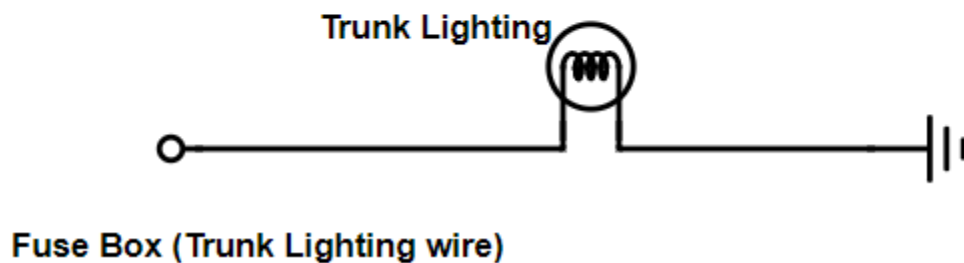
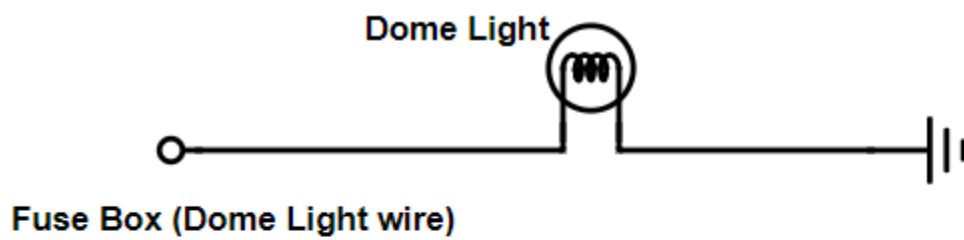
Starter Solenoid Circuit



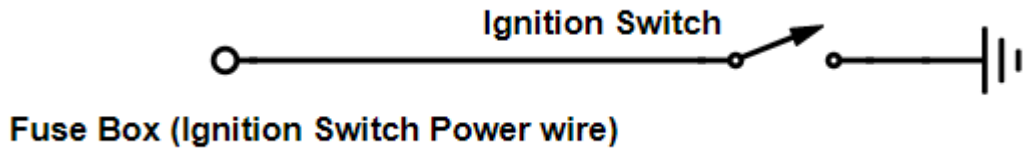
Radio Circuit



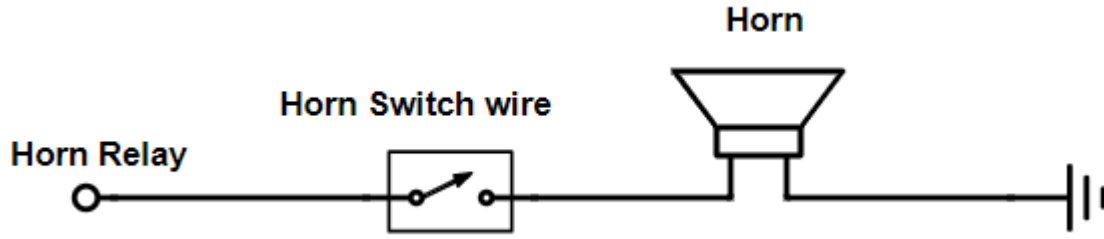
Dome Circuit



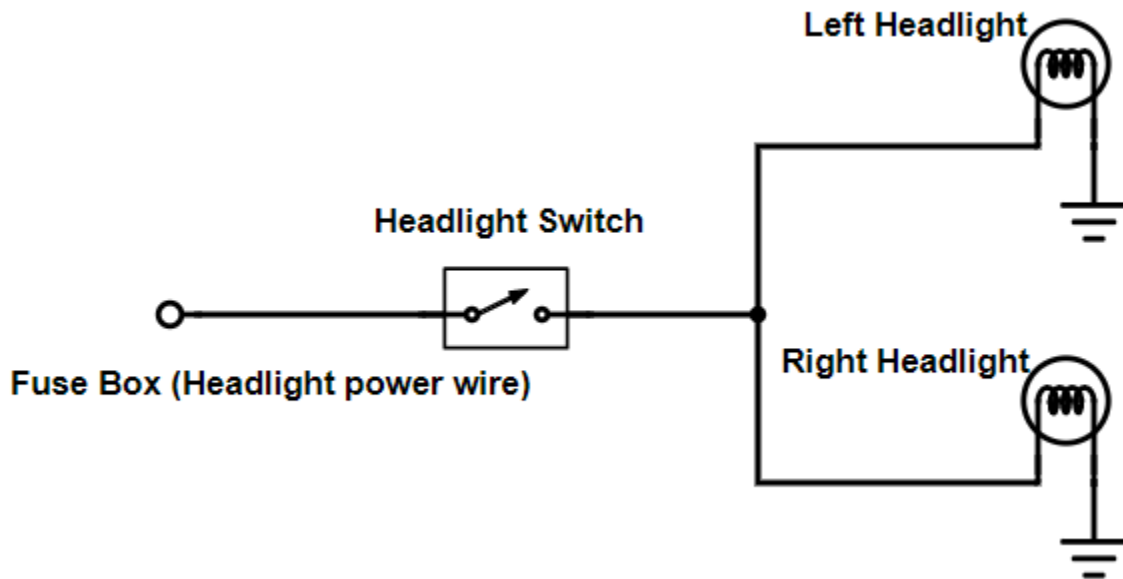
Ignition Switch Circuit



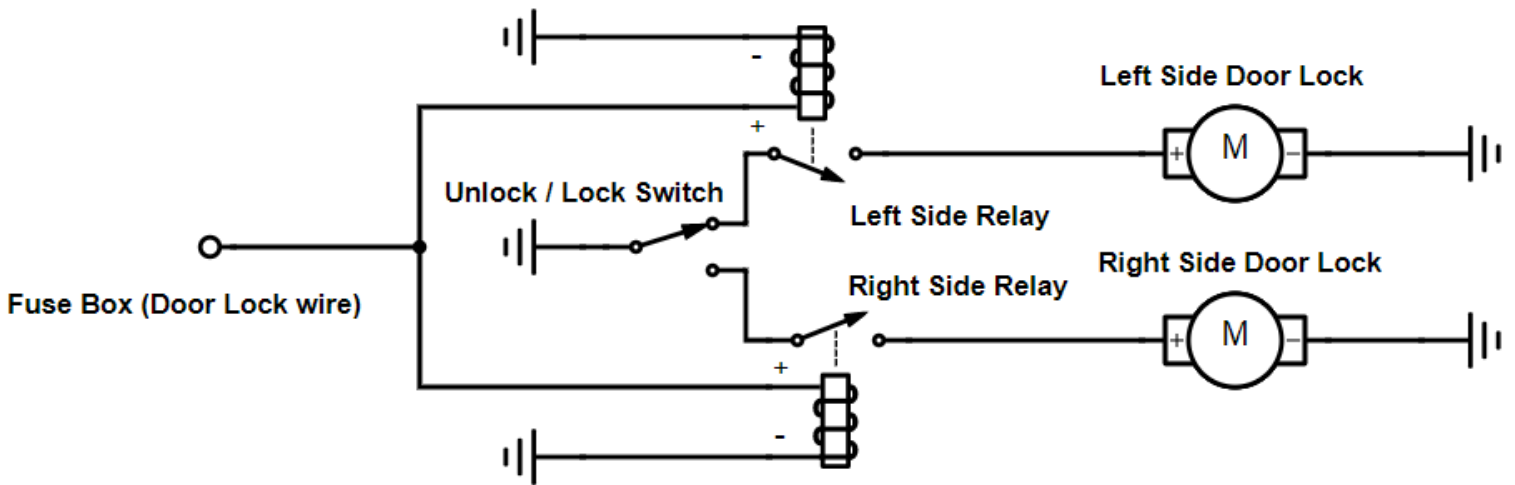
Horn Circuit



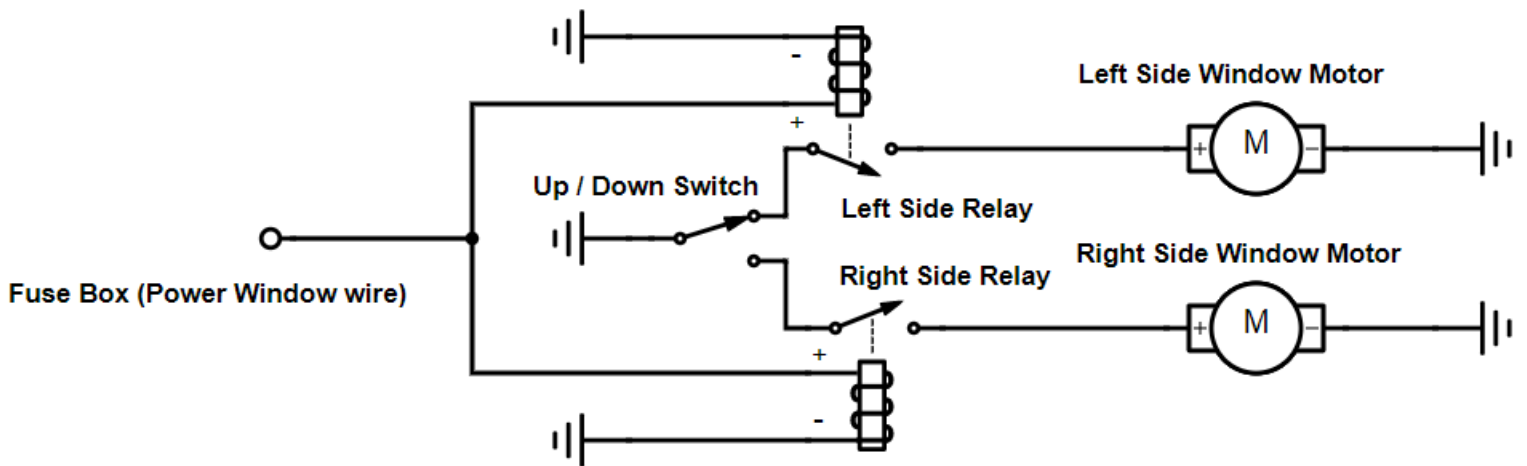
Headlight Circuit



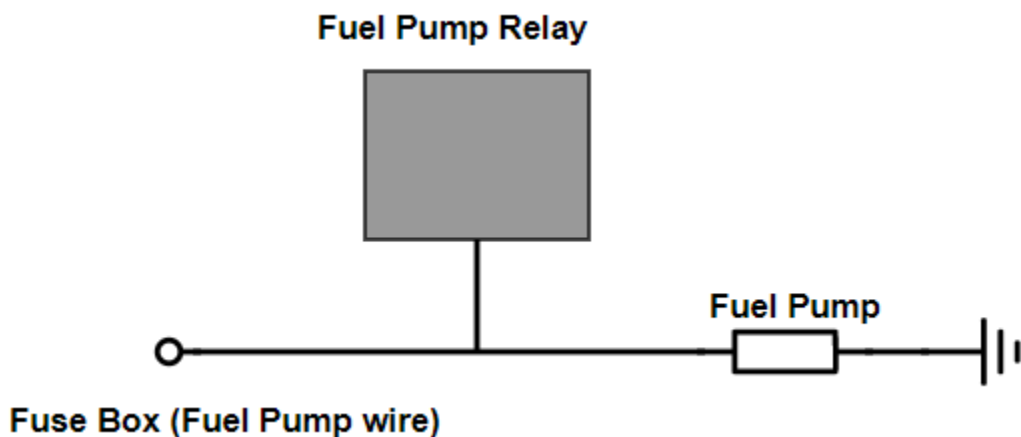
Door Lock Circuit



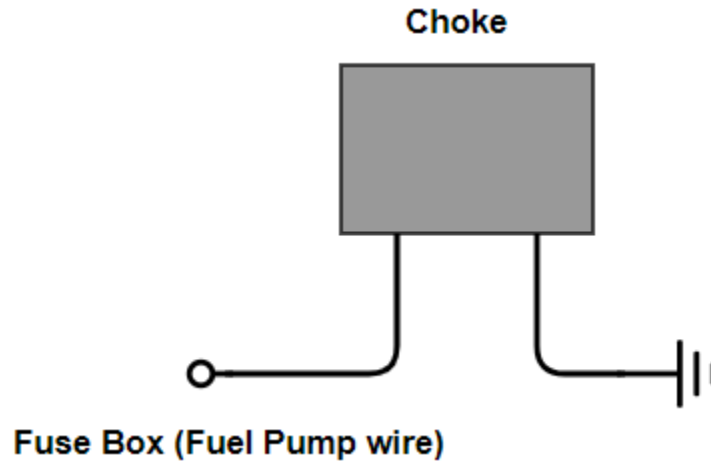
Power Window Circuit



Fuel Pump Circuit



Choke Circuit



Steering Column

COLOR CODES FOR IGNITION SWITCH

WHITE HOUSING

Brown	Accessory
Red	Battery Power (B+)
Pink	Ignition Coil (smaller wire terminal)
Purple	Start

BLACK HOUSING

Red	Battery Power (B+)
Orange	Accessory

NOTE: Orange wire will need a larger terminal (copper in color) than the others.

TURN SIGNAL COLOR CODES FOR WIRE PORT

WHITE AND BLACK HOUSINGS

Black	Horn Ground	G
Lt. Blue	Left Front Turn	H
Blue	Right Front Turn	J
Brown	Hazard Power	K
Purple	Turn Signal Power	L
Yellow	Left Rear Turn	M
Green	Right Rear Turn	N
White	Brake Light Input	P

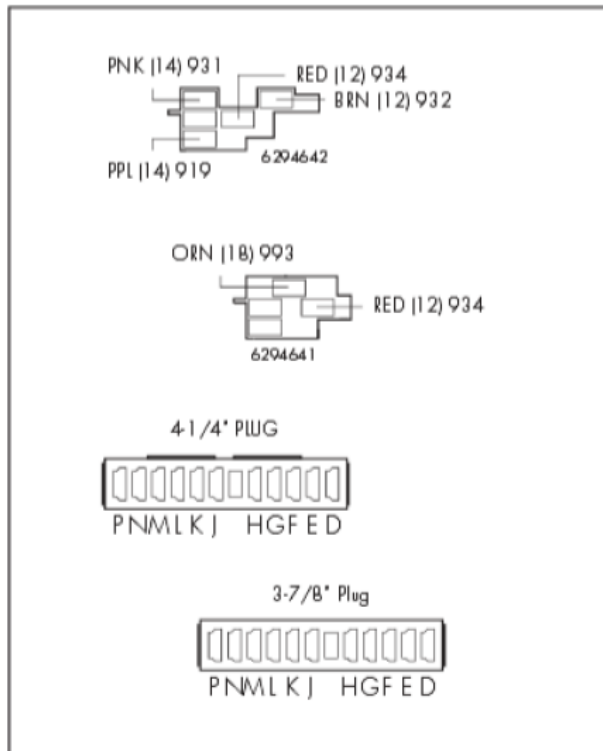
DIMMER SWITCH COLOR CODES

BLACK PYRAMID HOUSING

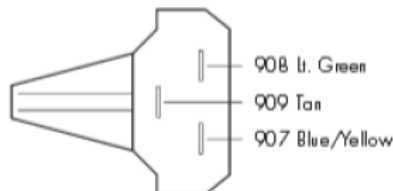
Blue/Yellow	Power From Light Switch
Tan	low Beams
Lt. Green	High Beams

NOTE: Both the floor and column mounted switches use the same connector assembly.

GM Turn Signal connector



Steering Column Dimmer Switch



Floor Dimmer Switch



FINAL INSTALLATION:

By this time all wires should be connected or terminated and secured to your vehicle. To start your vehicle for the first time, follow these easy steps:

1. Turn off all accessories.
2. Close all doors, hood, and trunk.
3. Place the ignition switch in the off position.
4. Check to insure there is a fuse on the starter wire.
5. Connect the negative battery cable to the battery.
6. Check for current draw. If you have no current draw then it's safe to connect the positive cable to the battery.
7. Test the system and all accessories.

Installation Manual

**UNIVERSAL
WIRING HARNESS KIT**