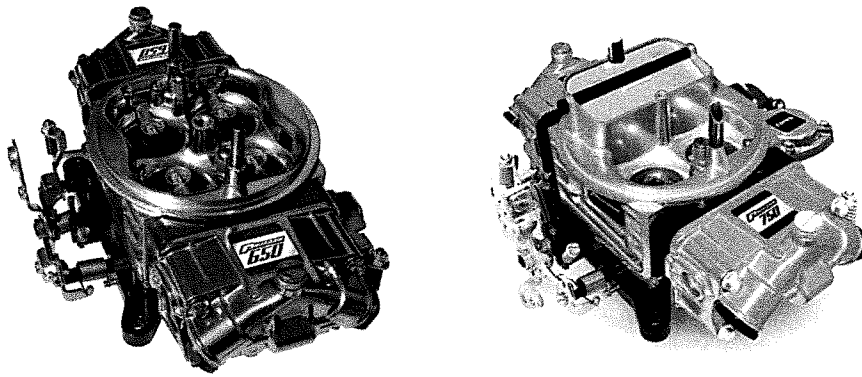




Installation Instructions

CARBURETORS



Please Stop and Read these Instructions before proceeding. If you do not fully understand the installation and tuning instructions you should seek professional help. Failure to follow the proper installation and tuning may result in damage or injury.

NOTE: This carburetor has not been submitted for emission testing, therefore it is not C.A.R.B. (California Air Resources Board) legal in all 50 states - please check with local authorities regarding the use of this carburetor.

Warning: There are several manufacturers that produce quality components to facilitate the use of kickdown on any carburetors with an overdrive transmission. Please insure you have the proper hardware before using this carburetor and that it is installed per the manufacturers specifications.

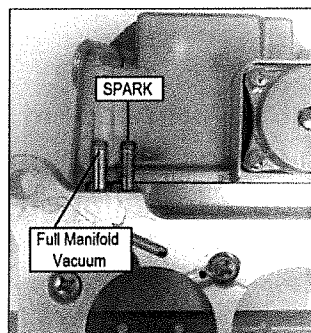
REMOVE OLD CARBURETOR:

1. Disconnect negative battery terminal to prevent any accidental arcing in the presence of fuel.
2. Remove air cleaner, PCV hose and any other vacuum lines connected to the carburetor. For future reference identify the vacuum lines to ensure proper re-connection.
3. Remove fuel line(s)...be careful not to twist fuel line(s) when removing fuel inlet fitting(s), use penetrating oil or similar chemical to assist in breaking the fuel inlet fitting nut loose. Protect the open ends of the fuel lines, so no foreign particles can enter.
4. Disconnect electric choke wires if equipped (identify if necessary).
5. Disconnect all linkage and return springs.
6. Remove the 4 hold down nuts and washers (if used).
7. Remove carburetor from intake manifold.
8. Cover intake manifold carburetor flange with a clean rag or towel to prevent any foreign objects from falling into the engine.

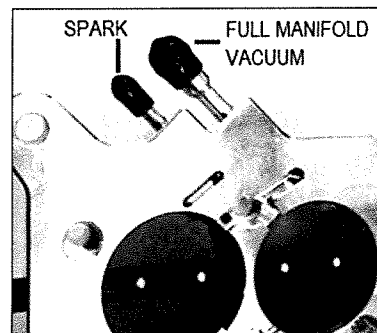
INSTALLATION OF NEW CARBURETOR:

1. Set old carburetor and new carburetor side-by-side on work bench.
2. Examine linkage connection (throttle cable [rod] and kickdown cable [if applicable]) transfer to new carburetor in same location if possible.
3. Install flange gasket over intake manifold studs on intake manifold, then install your new carburetor. Install throttle cable bracket on driver's side rear stud if applicable.
4. Install hold down nuts and washers (if used), tighten in a criss-cross pattern DO NOT TIGHTEN HOLD DOWN NUTS COMPLETELY.
5. Attach throttle and kickdown linkage then operate from inside the vehicle to be certain there is no interference of throttle plates, throttle linkage, accelerator pump arms or fast idle cam lever.
6. If there is no interference or resistance in throttle operation then you can tighten the hold down nuts to their final torque value, 100 Inch Lbs. (8 Ft. Lbs.). Most intake manifold studs are a fine thread and therefore tightening the hold down nuts must be tightened in a criss cross pattern and in a number of steps before arriving at the final torque value. Rapidly tightening the hold down nuts to the final torque spec or over-tightening will cause performance problems as this process can warp or potentially break the throttle body.
7. Install vacuum hoses. The PCV hose is installed on the rear 3/8" tube at the rear of the throttle body. This tube can also accommodate power brake hose connection as well if PCV is either not used or is routed to a different location on the engine. It is not advisable to "T" the PCV and power brake hose together. These two lines should be separated. If the PCV was originally attached to the carburetor it should be installed the same way on your new carburetor. The power brake hose must be attached then it should be routed to another vacuum connection in the intake manifold. This connection should be to the plenum of the intake manifold, not an individual intake runner. Vacuum connections to the new carburetor as shown below:

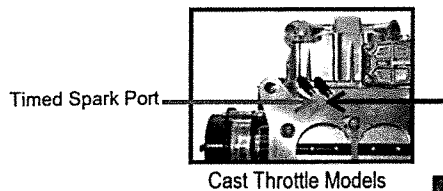
NOTE: Vacuum tubes available on gas carburetors only, not on blower, blow-through, alcohol, or E85 carburetors.



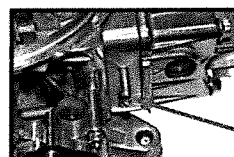
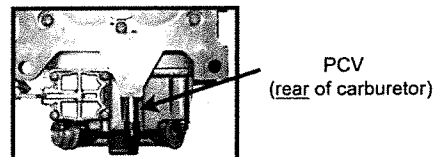
Billet Throttle - Some Models



Billet Throttle - Some Models



Cast Throttle Models



Distributor vacuum advance may also be connected to the tube in the primary metering block.

Connecting the Throttle Linkage:

NOTE: Before connecting the linkage, operate the throttle lever to assure the correct travel with no sticking or binding, by opening to wide-open throttle and back to closed throttle several times. Correct any binding conditions before proceeding.

With the pedal held firmly against a stop or the floorboard, pull the carburetor to its wide open position. Adjust the linkage rod or cable to the proper length, and then attach it to the baseplate linkage.

Remember, the pedal should make contact with a positive stop just as the carburetor gets to wide open throttle. With the linkage rod or cable attached to the baseplate, make sure the carburetor can return to its curb idle position. Install your return spring(s) to the bottom of the throttle lever and check again for smooth operation to wide open throttle, and then closed again.

GM TH350, 200R4 / 700R4:

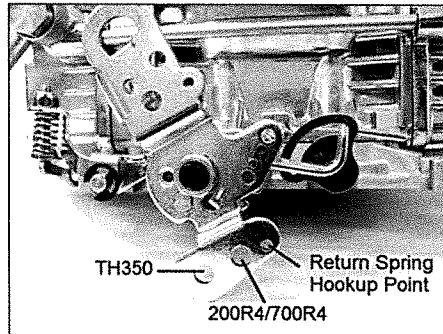


Figure 3

Connecting the Transmission Linkage:

Attach the transmission kickdown stud into the proper hole location on the throttle lever as seen in (Fig. 1). Attach the TV cable to the stud and adjust per transmission manufacturer's specifications, using Chilton®, Motor®, or other repair manual designed for your specific transmission.

WARNING: If you are unfamiliar with overdrive transmission TV cable adjustments, consult a qualified transmission expert. Failure to properly adjust the TV cable on overdrive transmissions can lead to poor shifting and/or transmission failure.

FORD KICKDOWN LINKAGE:

1. Unlock transmission kickdown lever by removing screw and spring and relocating to additional hole in the transmission kickdown lever (Figure 4).
2. Install snap ring on the transmission kickdown lever.
3. Install transmission kickdown lever return spring bracket using supplied screws and lockwashers.
4. Install transmission kickdown lever spring between the transmission kickdown lever and kickdown return spring bracket.

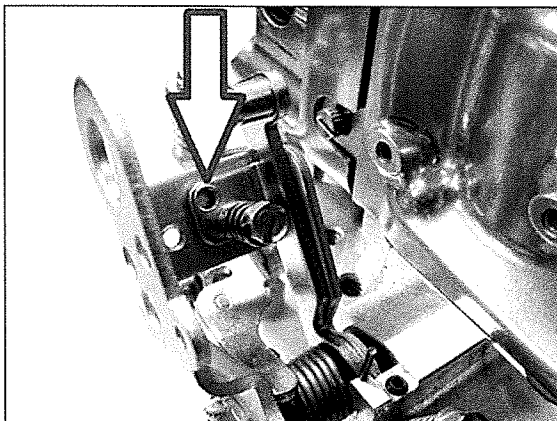


Figure 4

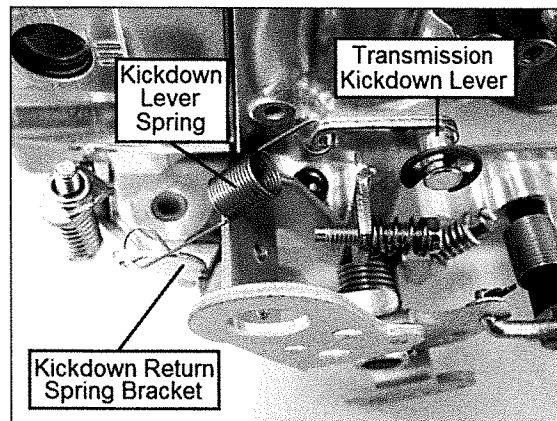


Figure 5

CHRYSLER APPLICATIONS:

Attach throttle lever extension to throttle linkage as shown in **Figure 6**. Use Chrysler Throttle Lever Extension P/N 49-7.

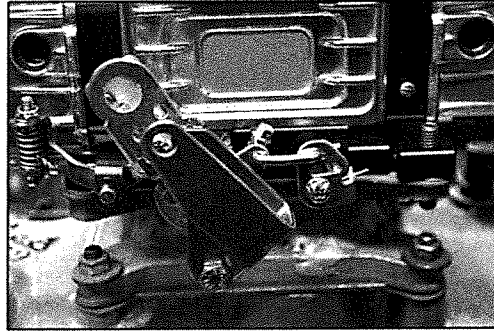


Figure 6

For Supercharged / Blower Applications:

The power valve is referenced for a manifold vacuum. The fitting (shown in **Figure 7**) is the reference port for the power valve. A vacuum hose must be connected from this fitting to a vacuum source on the lower manifold. Failure to connect this port to a manifold vacuum will allow the power valve to remain open at idle, causing an excessively rich fuel mixture.

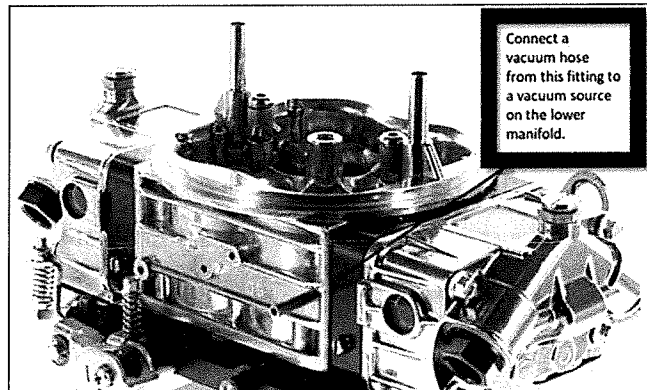


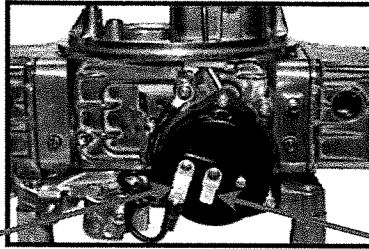
Figure 7

Manifold vacuum is typically used for transmission modular or any accessory that requires a full manifold vacuum signal, i.e. heat and/or A/C control, vacuum actuated fresh air induction, etc. . The Ported or timed vacuum is typically used for the vacuum advance canister on the distributor if applicable. NOTE: some distributor vacuum advance canisters require full manifold vacuum, not ported or timed vacuum.

Check the specifications for your distributor.

8. Install fuel inlet fittings. **DO NOT USE PTFE TAPE ON INVERTED FLARE FUEL INLET FITTINGS.** Clean threads and flare of any dirt and debris before installation. Check to be certain the fuel inlet fittings in the fuel bowl are tight, then install the fuel line nuts. Tighten sufficiently to prevent fuel leakage.

9. Connect positive (+) wire for electric choke to a key on 12 volt voltage source. **DO NOT CONNECT TO THE BATTERY SIDE OF THE IGNITION COIL.** Preferably, check voltage with a volt meter to determine the correct voltage. NOTE: battery voltage will be 12 volts or greater. You need to recheck the voltage reading when the engine is running to be certain the voltage does not drop below 12.6 volts. (Some engines use a field wire from the alternator that only produces 9.5 volts which does not allow the choke to operate properly.)



(-) Grounded to carburetor

(+) Ignition activated 12V source

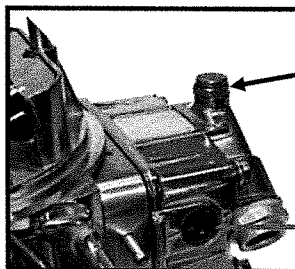
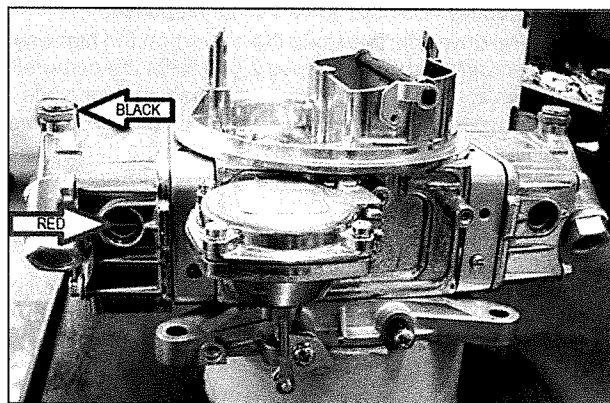
STARTING THE ENGINE:

1. Reattach the negative battery cable. You are now ready to start the engine.
2. Before attempting to start; the fuel bowls need to be filled with fuel. Whether you have an electric fuel pump or a mechanical pump, it is necessary to operate the fuel pump for 15 seconds or so, a couple of 10 second cranks for mechanical pumps, to enable the bowls to fill with fuel.
3. Before starting the engine make an initial check of the float level. This carburetor was pre-set at the factory to be in the middle of the sight glass at 6.5 P.S.I. RED ARROW - If the initial float level is not visible in the sight-glass then it might be necessary to re-adjust the float level before starting the engine.

Fuel pressure greater than 6.5 P.S.I. will cause the float level to be too high.

Fuel pressure below 6.5 P.S.I. will cause the float level to be too low.

For the carburetor to operate correctly the float levels must be in the middle of the sight glass. The most accurate way to establish the correct float level is to check it while the engine is running. If adjustment is necessary, the engine should be off for adjustment. BLACK ARROW - raise or lower float with a 5/8" wrench, (the screw is the lock and the 5/8" hex is the adjustment.) Clockwise lowers the fuel level, counter-clockwise raises the fuel level.



Raise or Lower Float with a 5/8" wrench

Set fuel level in middle of window with engine running at idle speed with proper fuel pressure (note the arrows in the casting).

DO NOT ADJUST WITH ENGINE RUNNING.

1. With the float level verified and correct, rotate the throttle to wide open twice. If the temperature is below 72 degrees, the choke will close and the accelerator pump nozzles should discharge fuel. You can now start the engine.
2. It should not be necessary to continue operating the throttle while attempting to start the engine. If it does not start on the first attempt, rotate the throttle a couple of additional times, then try starting the engine again. The engine should start.
3. If the engine still will not start, try holding the throttle open slightly while starting in the event too much fuel entered the engine while operating the throttle or the idle speed might be too low for your application.
4. Once the engine has started, the fast idle cam should raise the idle speed, however, if the fast idle is still too low then you can adjust the idle speed screw behind the primary throttle lever. The engine should idle between 1,600 and 2,000 RPM. Let it idle at this speed for approximately 5 minutes. The choke should open on its own during this time and be fully open (vertical position) after approximately 3 minutes (will vary with outside temperature).
5. After the engine has reached operating temperature and the choke has reached the open vertical position, rotate the throttle open slightly, the idle speed should drop down between 700 and 1,000 RPM. If you had to adjust the idle speed screw then turn it counter-clockwise to reduce the idle speed to the desired RPM.
6. If possible using a manifold vacuum gage, set the idle mixture screws to attain the highest manifold vacuum reading at idle. It is not necessary to keep all four mixture screws at exactly the same number of turns from seated, but they should be close to the same number of turns. Make adjustments in small increments of ¼ turn per adjustment. See how the engine responds then adjust the mixture screws to smooth out the idle. Turning in one mixture screw could not have any noticeable effect, if the other three mixture screws are out too far. The mixture screws should be adjusted in conjunction with each other to achieve the proper mixture. When engine's RPM increases during the adjustment process, adjust it back down to the desired rpm and continue mixture screw adjustment until the engine RPM or vacuum drops. When the engine RPM or vacuum drop, the idle mixture is too lean and the mixture screws will need to be backed out to the highest vacuum or RPM.
7. Turning the mixture screws in (clockwise) leans the mixture, turning the mixture screws out (counter-clockwise) richens the mixture.

NOTE: Secondary idle air can be adjusted externally. While this is a convenient tuning aid in cases where the primary throttle plates must be opened considerably to compensate for a radical camshaft profile, it should not be opened more than ½ turns from base as it could cause a hesitation at wide-open throttle. Consult a carburetor tuning book to ensure proper primary throttle plate alignment.

8. After you have attained the highest manifold vacuum (or best idle quality), with an automatic transmission apply the brake then shift the transmission into gear. This will create a load on the engine and may change the idle characteristics. With performance camshafts with longer duration it is often necessary to add a little more fuel because the engine is not as efficient and therefore must be over fueled slightly to keep the engine from laboring when a load is placed on the engine such as shifting the transmission into gear.
9. You are now ready to drive the vehicle. It may require some minor adjustments with the mixture screws and idle speed but the engine should drive smoothly and have good throttle response.
10. Once you are satisfied with the general drivability then take the car out on the highway to determine how well the engine runs while holding a steady RPM. Generally, any RPM above 2,000 RPM the carburetor is operating off the main metering system. The air fuel ratio in this system is usually controlled by the main metering jets. If the engine surges while driving at a steady RPM on flat ground then the mixture is probably too lean and the main jets need to be increased in size. If the engine labors and has difficulty holding a steady speed without opening the throttle more, then the mixture is probably too rich. Ultimately, you should look at the spark plug color after 75 to 100 miles to help determine the general air/fuel mixture the carburetor is delivering and the engine is operating. White plug color indicates a lean mixture, dark gray or black indicates a rich mixture.

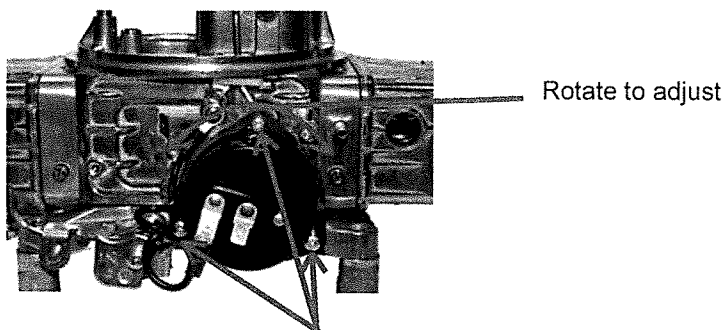
These carburetors have been calibrated to operate on a broad cross-section of engine combinations. While it is not possible for a single calibration to work virtually every conceivable application it should work on most engines and it will not be necessary to make any additional adjustments and/or tuning.

ADJUSTMENTS & TUNING:

Choke Adjustments - Choke Indexing (on applicable models)

The electric choke cap is adjustable for varying conditions and personal preference should you desire. The normal choke setting is for the choke plate to just barely close at 72 degrees Fahrenheit. Loosening the three screws securing electric choke spring will allow the choke cap to rotate. Rotating the choke cap clockwise reduces the choke effect (lean) whereas rotating the choke cap counter-clockwise increases the choke effect (rich).

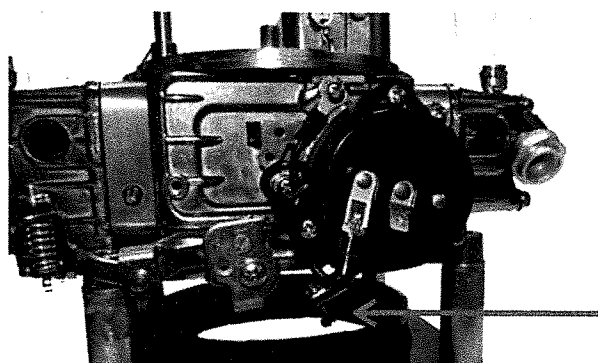
Clockwise Rotation Leans Choke (closes higher temperature, opens faster)



Clockwise rotation reduces temperature for choke to close and shortens the time for the choke plate to completely open. Full clockwise rotation the choke will never close. Counter-clockwise rotation raises the temperature for the choke to close and lengthen the time the choke plate is closed, so it will take longer for the choke plate to open to full vertical position.

Fast Idle Speed

The fast idle speed can be altered by adjust the fast idle speed screw, located as shown below. Easiest access is at wide open throttle with the engine off. Ordinarily a good fast idle speed is approximately 1,600 RPM with the engine at normal operating temperature. The correct procedure to check the fast idle is to manually open the throttle, close the choke plate with your finger, release the throttle lever, then release the choke plate. This sets the fast idle cam. Start the engine without touching the throttle lever or accelerator pedal. When the engine starts it will be at fast idle and you can adjust accordingly. The fast idle screw has a 5/16" hex head however there is also a slot cut in the head so it can also be adjusted with a screw driver. Access is somewhat limited especially with vacuum secondary carburetors so often times the easiest access is by hold the throttle wide open (with the engine off of course) then either turn the screw clockwise to increase the fast idle speed or counter-clockwise to lower the speed. Having an assistant hold the throttle wide open makes this procedure much easier.



Loosen three retainer screws to adjust choke cap

Fast idle speed screw
clockwise increases fast
idle RPM speed

VACUUM SECONDARY TUNING (where applicable)

1. Baseline setting for the adjustable needle is 1-1/2 turns off the seat. This setting has already been made during assembly at our facility. Should you ever need to re-establish your needle setting, lightly seat the needle. Do not over-tighten, as this will alter the seat taper and could change the performance characteristics.
2. The Quick Set Adjustable Vacuum Secondary Housing incorporates a "Purple" spring. This ensures the secondaries will open fully on most applications. The purpose of the adjustment screw is to vary the opening rate, that is, when the secondaries begin to open as well as how quickly they open.
3. The secondary diaphragm operates off venturi vacuum. As airflow increases through the primary side of the carburetor, a vacuum is created in the venturi. It is this vacuum signal that actuates the secondary diaphragm. Without an accelerator pump on the secondary side of the carburetor, it is necessary to graduate the secondary-opening rate. Air responds instantaneously when the throttle plates open, however, there is a delay before the

fuel begins to flow.

4. For best performance you should not “feel” the secondaries opening. If you “feel” the secondaries open, do not confuse this feeling with better performance. That feel is actually a hesitation or a bog. Simply stated, the increased airflow has insufficient fuel to make a combustible mixture.
5. Therefore, best performance is accomplished by determining what needle position creates a hesitation. Then, gradually turn in the adjustment needle in 1/8-turn increments until the hesitation is eliminated. This will provide the optimum wide-open throttle acceleration.
6. The Quick Set Adjustment will allow you to tune for variations in traction, weather conditions, etc. How your engine responds to these conditions will determine where the adjustment screw should be set. This will require experimentation on your part. However, the Quick Set Adjustment will enable you to achieve the best performance possible under all conditions.

For addition tech support, please call (586)774-2500, Monday-Friday, 9 a.m.-5 p.m. EST, or send an email to tech@ProformParts.com

Specialty Auto Parts U.S.A., Inc. | 26708 Groesbeck Hwy | Warren, MI 48089
©2018 Specialty Auto Parts U.S.A., Inc. All Rights Reserved.

199R12036
Date: 3-10-20