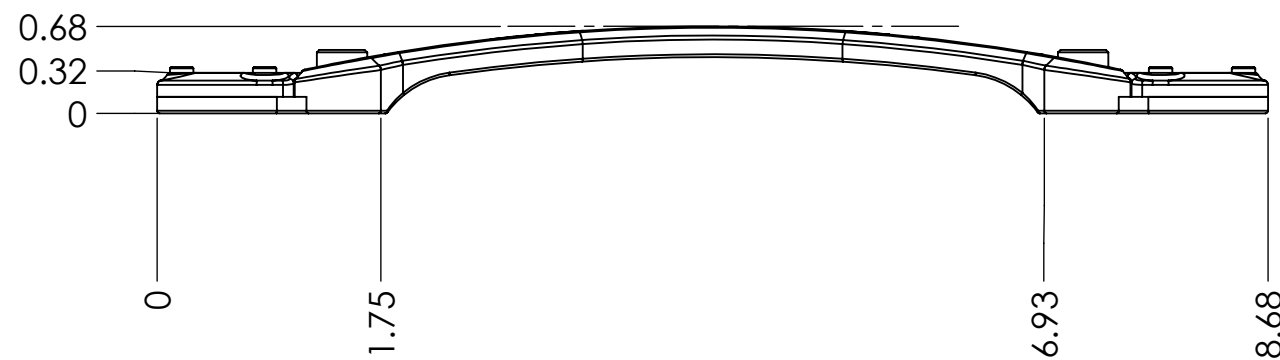
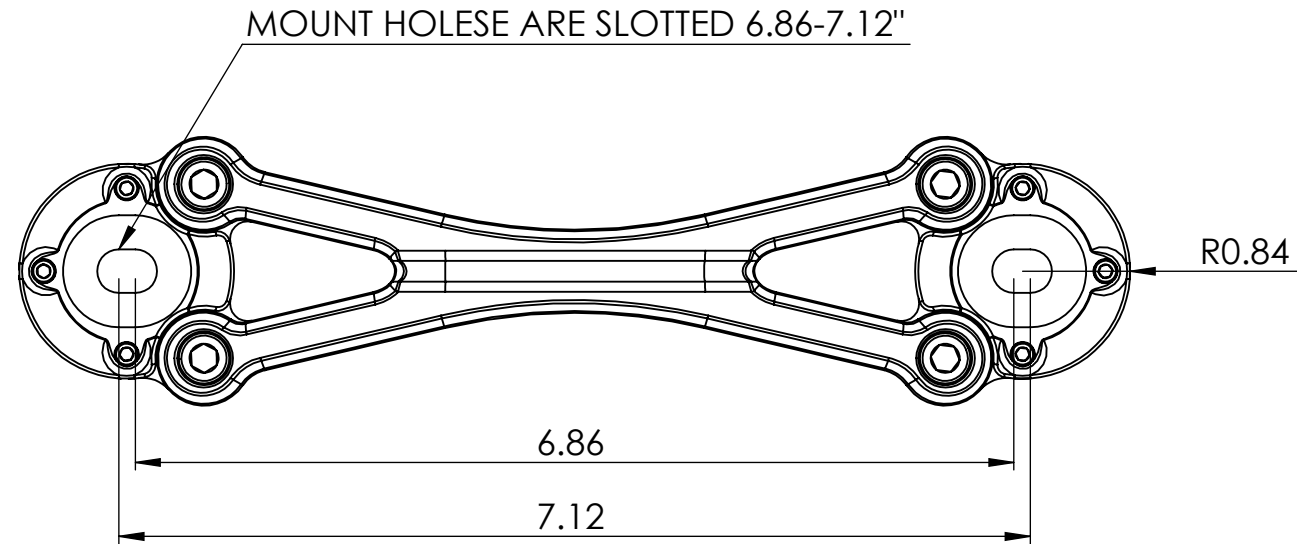
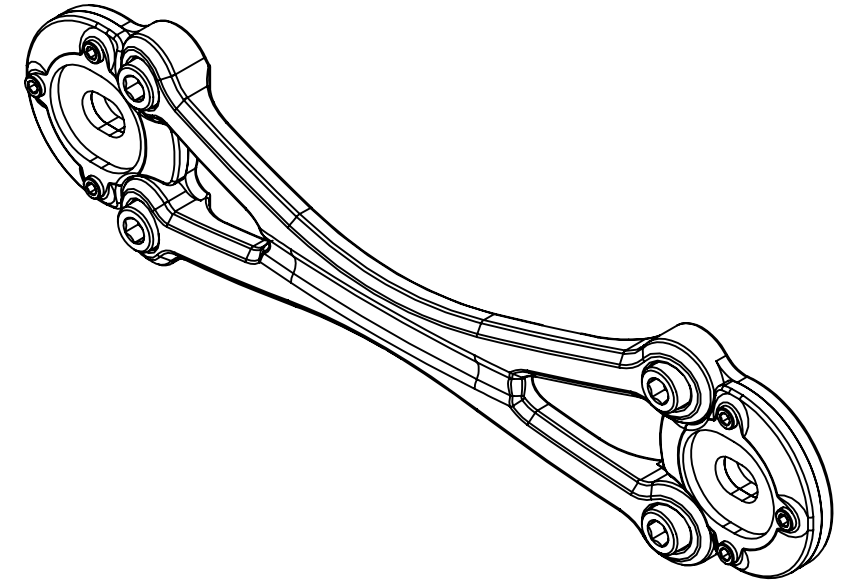


ITEM NO.	PART NUMBER	DESCRIPTION	QTY.
1	51536-9200-001	TIE-DOWN	1
2	51536-9200-002	WASHER	2
3	91292A044	M6 X 6MM	4
4	92196A106	4-40 X 1/4	6



NOTES:
ADD LIGHT TO YOUR PROJECT WITH THE LED UPGRADE KIT

MATERIAL: 6061	UNLESS OTHERWISE SPECIFIED: ALL DIMENSIONS ARE IN INCHES. DIMENSIONS IN [] ARE IN MM. FRACTIONS: $\pm 1/16$ DECIMALS: .x $\pm .05$.xx $\pm .02$.xxx $\pm .005$ ANGLES: MACHINED $\pm 0^\circ 30'$ OTHERS $\pm 2^\circ$ CONCENTRICITY: .010 BREAK CORNERS: .015 - .030 FILLET RADIUS: .030 - .060 SURFACE FINISH: 125 RMS	RINGBROTHERS	
COATING:		THIS DOCUMENT CONTAINS INFORMATION WHICH IS PROPRIETARY TO RINGBROTHERS. THE INFORMATION CONTAINED HEREIN SHALL NOT BE DISCLOSED, DUPLICATED, USED IN WHOLE OR IN PART FOR ANY PURPOSE OTHER THAN TO EVALUATE THIS DOCUMENT WITHOUT WRITTEN CONSENT OF RINGBROTHERS.	
DRAWN: MATT MOSEMAN DATE: 6-5-17		3RD ANGLE PROJECTION DO NOT SCALE	
ENGR: MATT MOSEMAN DATE: 6-5-17		SIZE B	REV A
PR MGR: MATT MOSEMAN DATE: 6-5-17		DWG. NO. 51536-9200	
eSIGNATURES ON FILE		SCALE: NTS	WEIGHT: 3.9LBS
		SHEET 1 OF 1	