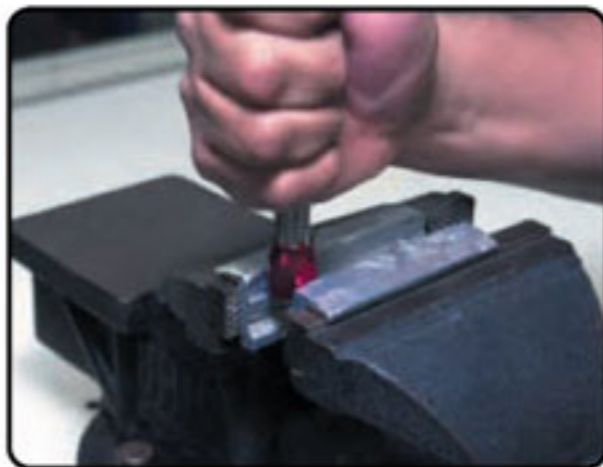


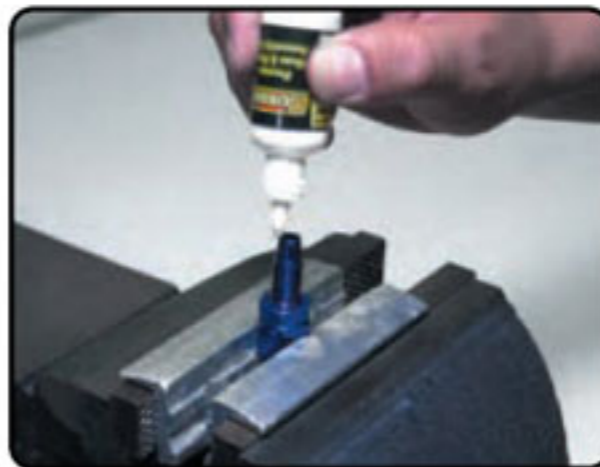
HOW TO ASSEMBLE HOSE AND HOSE ENDS



Step One: Wrap hose tightly with race or electrical tape at the point determined for cut. Clamp the hose loosely in a vise close to the tape. Use a hacksaw with two blades opposing one another or abrasive cut-off wheel. Remove the tape when you are finished cutting.



Step Two: Unscrew the socket of the hose end from the nipple. Hold the socket in a vise using soft jaws and insert the hose into the socket by turning it counterclockwise. The hose will stop at the bottom step of the socket.

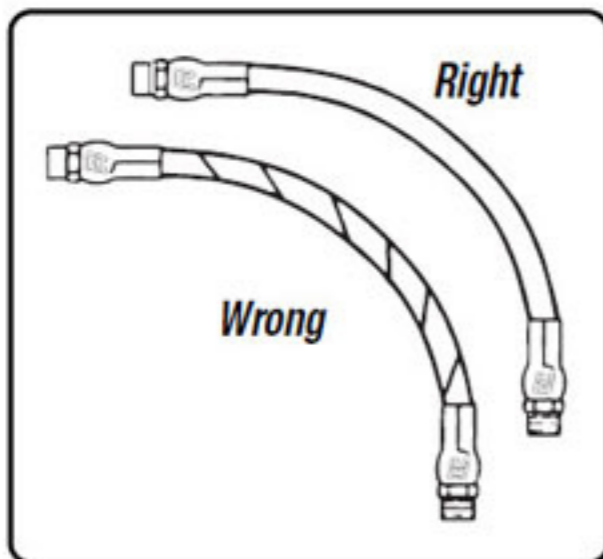


Step Three: Position the nipple assembly of the hose end in the vise using soft jaws. Apply assembly lube to the threads of the socket as well as to the nipple assembly.

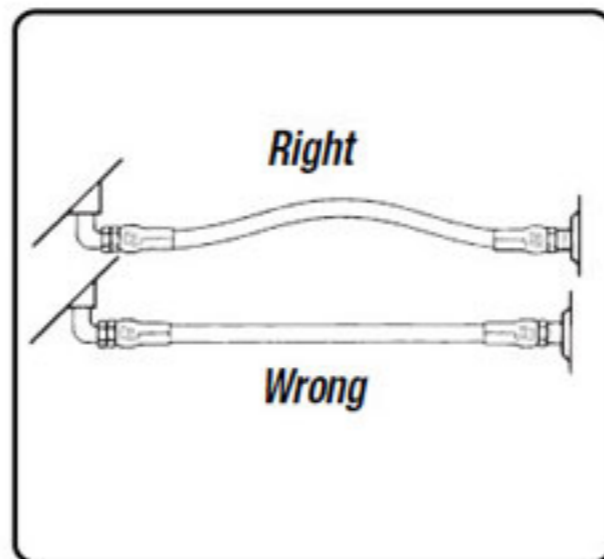


Step Four: Start the socket over the nipple by hand and tighten as far as possible by hand. Using an AN wrench, tighten until it reaches the nipple hex or when there is no more than 1/16" gap between the nipple/socket assembly. Be sure to wash & pressure test the assembly before using.

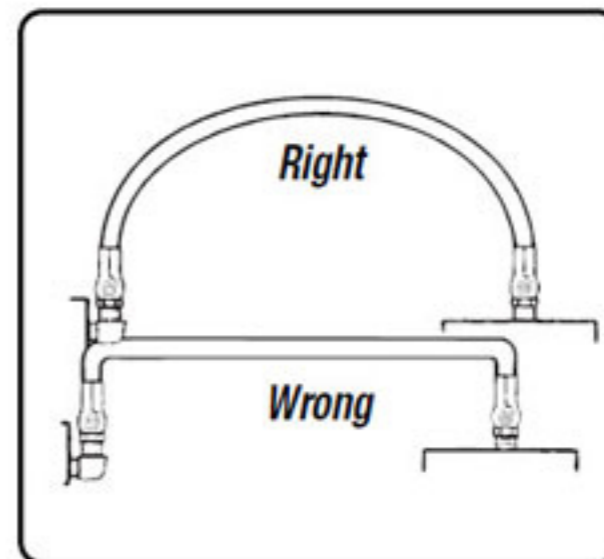
HOSE INSTALLATION TIPS



Avoid installing the hose in a twisted position.



Allow slack in your hose assembly for changes in length that occur under pressure.



When routing the hose assembly, provide a smooth bend radius. Avoid sharp bends, which will collapse the hose I.D. and could restrict flow.