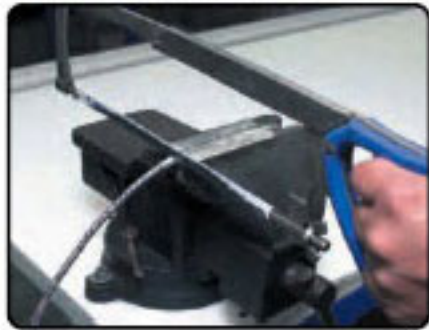


HOW TO ASSEMBLE POWERFLEX HOSE & HOSE ENDS



Step One: Wrap the hose tightly with electrical or racers tape. Hold the hose firmly in a vise without crushing and cut through the tape. Make sure you make a straight cut. Remove the tape slowly and deburr the Teflon® edges. Install the socket on the hose and slide it back out of the way.



Step Two: Insert the nipple portion of the PowerFlex hose end in a vise. Slip the hose over the nipple using a twisting motion to size the I.D. of the teflon. Separate the wire braid from the O.D. of the Teflon® tube with a small screwdriver. Be careful not to crush the Teflon.

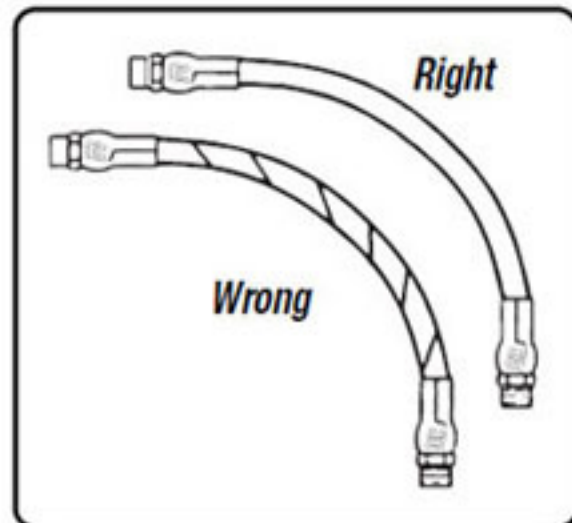


Step Three: Push the olive sleeve around the Teflon® & between the braid. This can be done by pushing the olive sleeve against the side of your workbench or vise. Be sure the Teflon® liner is square to the bottom of the olive. With the nipple in the vise, lube the threads and the nipple portion of the hose end sparingly. Insert the hose over the nipple. Make sure the olive does not pop off tube

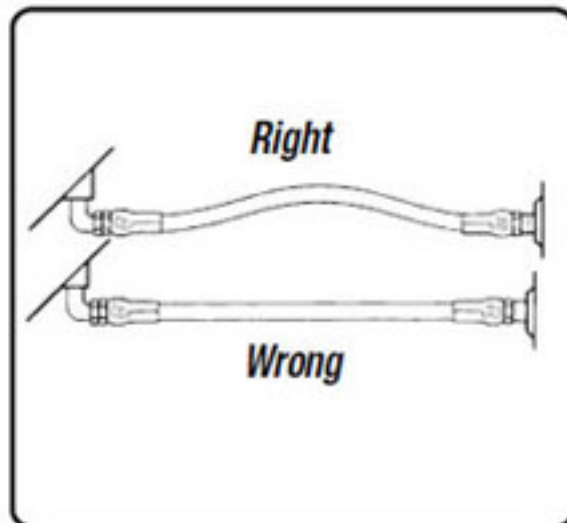


Step Four: Start the socket onto the nipple by hand. Tighten with a wrench until the gap between the nipple and the socket is no more than 1/16". Clean the hose assembly and pressure test before using.

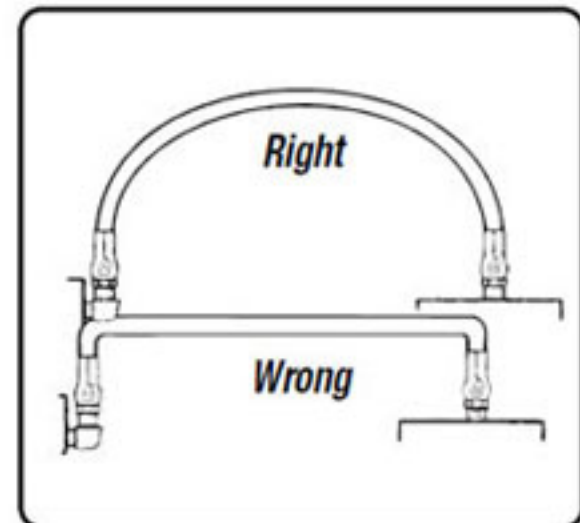
HOSE INSTALLATION TIPS



Avoid installing the hose in a twisted position.



Allow slack in your hose assembly for changes in length that occur under pressure.



When routing the hose assembly, provide a smooth bend radius. Avoid sharp bends, which will collapse the hose I.D. and could restrict flow.