

# RECONN DECK BAR

RDB126 / RDB150 / RDB165

TO COMPLETE  
YOU WILL NEED

BASE KIT

+

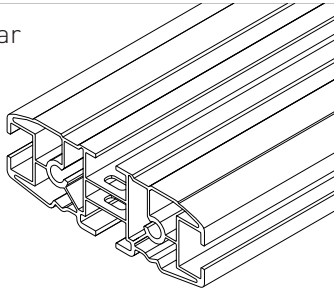
LEG KIT

+

BARS

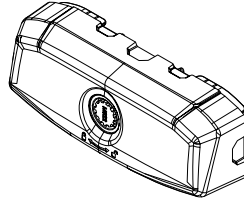
## Parts

Crossbar



**A** x1

End Cap



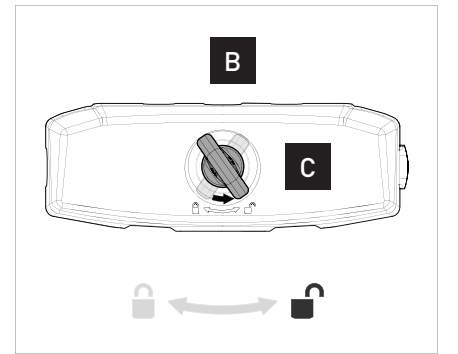
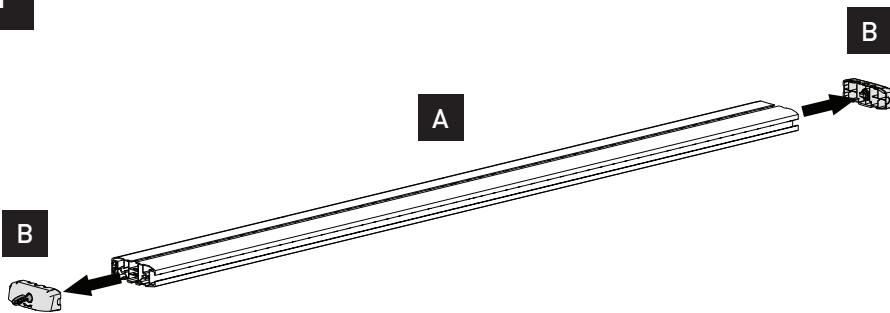
**B** x2

Key

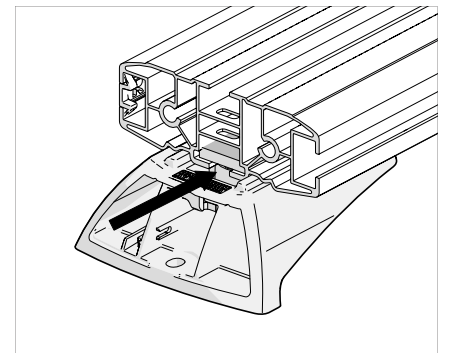
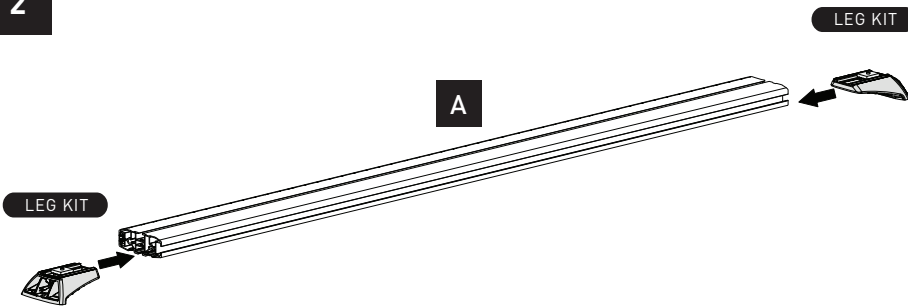


**C** x1

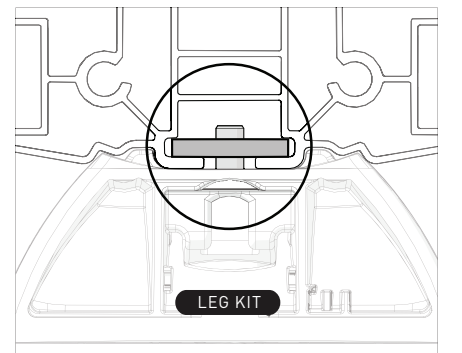
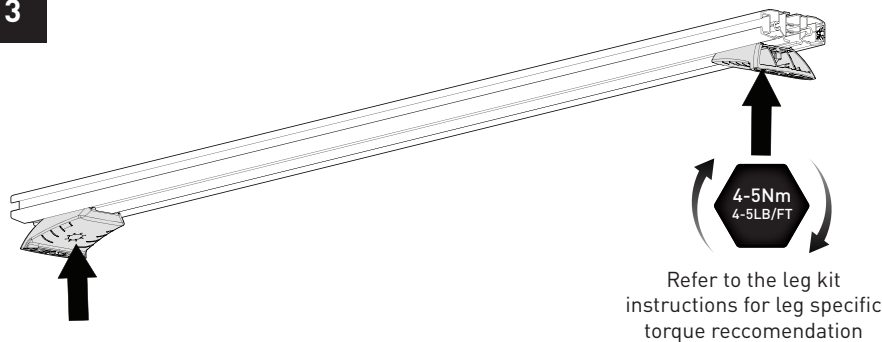
1



2



3



Proceed to the **LEG KIT** instruction to complete installation.