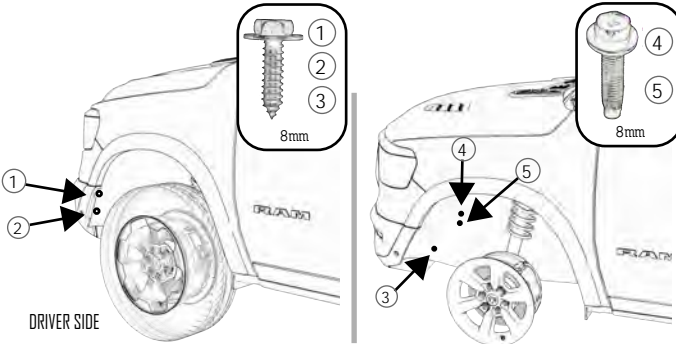


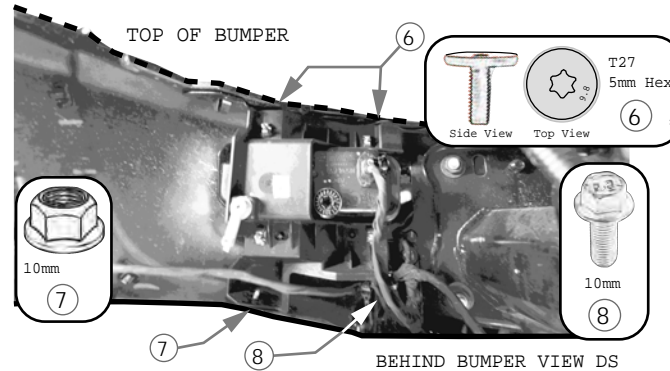


FOG POCKET INSTALLATION

- Remove the five (5), 8mm inner fender liner screws as shown and remove the lower portion of the wheel well. Screws located in positions (4) and (5) must be used in this location when reassembling.



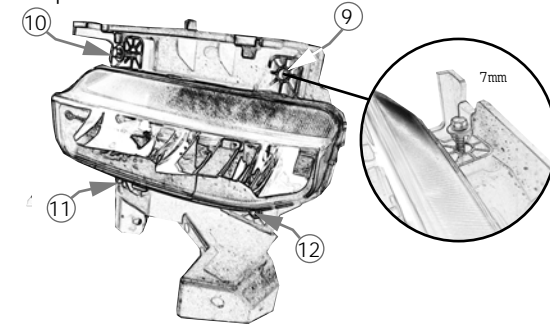
- Use a 10mm wrench to remove the indicated nut in region (7). Use a 10mm socket and ratchet to remove the indicated screw in region (8). Unplug the fog light.
- Please be patient as this is a tedious step. Use a T27 Torx or 5mm Hex bit in a 1/4" short socket & short ratchet to remove the top 2 screws indicated in region (6). Hand space will be limited.



- Grab a cold one. You deserve it!

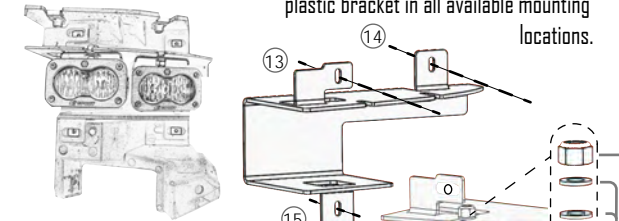


- Use a 7mm socket with an extension to remove the OEM fog light from the plastic bracket. Hold onto the OEM hardware and plastic bracket.



FOG LIGHT ASSEMBLY (DS)

- Mount the S2's with hardware as shown below. The S2 closest to the engine should be mounted ~35/64" away from the nearest edge of the bracket. The other S2 should be mounted ~53/64" away from the nearest edge. Using the 7mm socket, with extension, and the OEM hardware attach the Baja Designs bracket to the OEM plastic bracket in all available mounting locations.



FOG POCKET FRONT VIEW

Take this moment to make sure the S2 resists rotational and up down movement. The S2 should still be able to be adjusted with force.

Refer back to **Step 4, 3, & 2** to install the Assembly.

- Pin the H11 Splitter with the polarity shown below. Plug the Baja Designs Splitter into the pair of lights. Then, plug the H11 connector on the end of the splitter into original fog light plug (H11). Tug on the connection. Test that the lights turn on. Refer to **Step 1** and re-assemble the inner fender liner. Repeat on the passenger side.

PIN A ——— POS (RED)
 PIN B ——— NEG (BLK)
 2 Pin Wiring Polarity

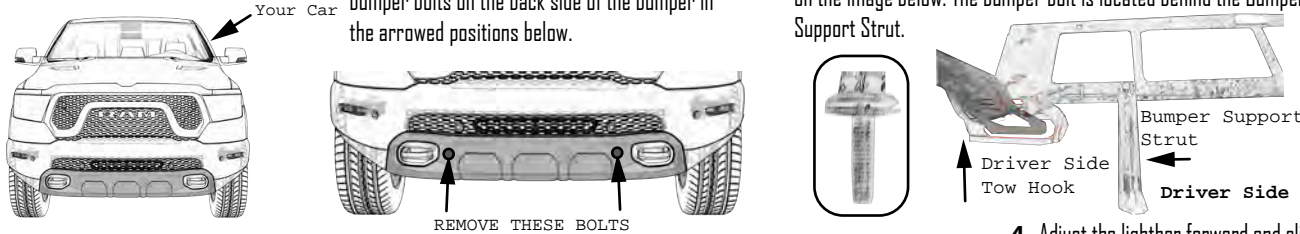


H11 Connector
 Enlarged for detail

- In select trims, the fog light will turn on when rotating the steering wheel past a certain point in non off-road environments. Aim the lights downward to avoid blinding drivers.

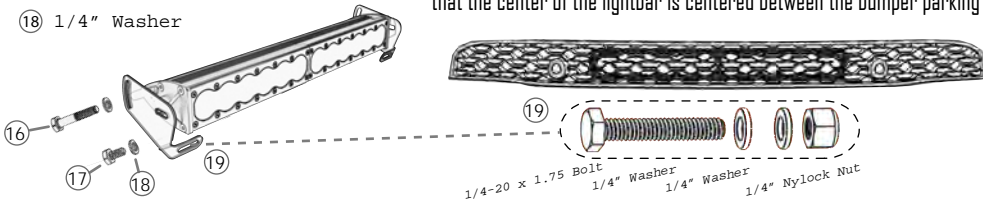
BEHIND THE GRILLE KIT!

- Position yourself under the truck. Remove the bumper bolts on the back side of the bumper in the arrowed positions below.
- Locate this region when behind the bumper. Landmarks are indicated on the image below. The bumper bolt is located behind the Bumper Support Strut.



- (16) 1/4"-20 x 1.375" Bolt
- (17) 1/4"-20 x 0.25" Bolt
- (18) 1/4" Washer

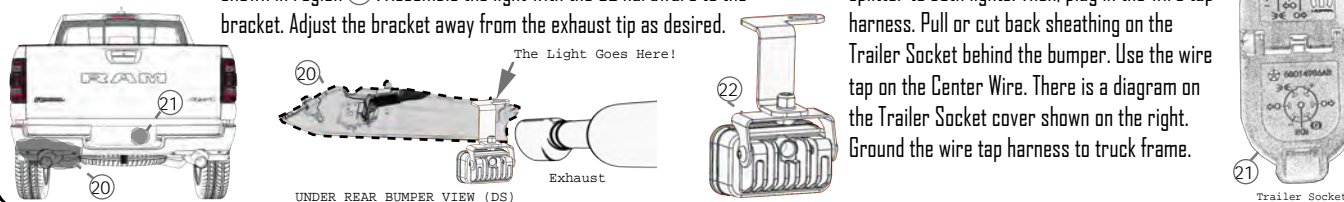
- Attach the bracket to light bar as shown to the left. Then, replace the OEM bumper bolts with the hardware shown in region (19). Finally, adjust the bar so that the center of the lightbar is centered between the bumper parking sensors.



- Adjust the lightbar forward and slightly downward. Tighten all hardware to fix in place. Place respective leads of relay harness onto battery terminals, add the extension harness, and finally plug into the lightbar. Remove button switch. Locate the rubber boot on the Driver Side, make incision and feed the switch through the firewall. Re-attach switch. Enjoy the lumens!

REVERSE KIT

- Remove the OEM screw at the arrowed location. Orient the bracket as shown in region (22). Assemble the light with the S2 hardware to the bracket. Adjust the bracket away from the exhaust tip as desired.
- Repeat on the passenger side. Plug in the 2 pin splitter to both lights. Then, plug in the wire tap harness. Pull or cut back sheathing on the Trailer Socket behind the bumper. Use the wire tap on the Center Wire. There is a diagram on the Trailer Socket cover shown on the right. Ground the wire tap harness to truck frame.





bajadesigns®

THE SCIENTISTS OF LIGHTING

LIMITED LIFETIME WARRANTY

Baja Designs proudly offers a LIFETIME WARRANTY against manufacturer's defect on all of the products that we manufacture.

These are comprehensive warranties; other than the exclusions below - you're covered. If your LED or HID bulb burns out, you're covered. Additionally, cutting off our connector or changing your lenses does not automatically void your warranty.

Exclusions:

Installation errors, abuse, misuse or crash damage. You must be the original owner of the product and can supply proof of purchase.

Baja Designs manufactures its own products as well as resells products manufactured by others. Baja Designs makes no express or implied warranties on products not manufactured by Baja Designs including without limitation any warranties or merchantability and fitness for a particular purpose. We will however, pass on all warranties made by the manufacturer, who has sole responsibility for performing such warranties.

Baja Designs will pay the freight if your product is less than 90 days old, otherwise defective products must be returned to Baja Designs, Inc., freight prepaid. At our option, we will repair or replace items in question and return them at no charge. If the identical product is no longer available, we will replace with a similar product of equal value. Baja Designs Inc. will not be responsible for any indirect or consequential damages in connection with defective merchandise.

Items purchased through a Baja Designs authorized dealer must be returned through the dealer. Only available on LED auxiliary lights and product must be in sellable condition at MSRP. Product that has been damaged in any way after the original purchase date will be excluded from this guarantee

Indemnification:

Buyer hereby acknowledges off-roading, racing and driving at night are dangerous activities and that the products and/or supplies purchased from Baja Designs are used in an inherently dangerous activity that may endanger life and limb; and in no event shall the seller, or seller's heirs and assigns, be held liable for consequential damages, nor shall seller's liability on any claim for damages arising out of or connected with the sale, delivery, or use of purchased products and/or supplies exceed the purchase price of the products and/or supplies.