

# INSTALLATION INSTRUCTIONS

## Universal Competition Catch Can

Support: [info@radiumauto.com](mailto:info@radiumauto.com)

Document: 19-0054

QTY	DESCRIPTION
1	Anodized Aluminum Catch Can Top
1	Anodized Aluminum Catch Can Bottom
1	Anodized Laser Cut Mounting Bracket
1	2pc Anodized Dipstick with O-ring, Short (OPTIONAL Long)
1	Anodized Laser Cut Strainer Plate
3	Stainless Steel 5-40 Screws for Strainer Plate
1	Anodized Allen Head 4AN ORB Plug
1	Stainless Steel Oil Separating Material
7	Stainless Steel M5x.8mm Button Head Screws
2	Plastic Plug for 37 Degree Flared Fitting, 7/8-14 Thread
1	Pre-Lubricated Oil Catch Can O-Ring
1	Mounting Bracket Protecting Rubber Trim
1	Radium Engineering Instruction Card
1	OPTIONAL Aluminum Center Extension With Pre-lubricated O-Ring

Find a suitable location away from hot engine parts that can impede the oil phase change process. Reference the last page for bracket hole-pattern dimensions. The can should be mounted vertical allowing oil to collect in the bottom section. But note that it can be rotated 360 degrees around the mounting bracket.

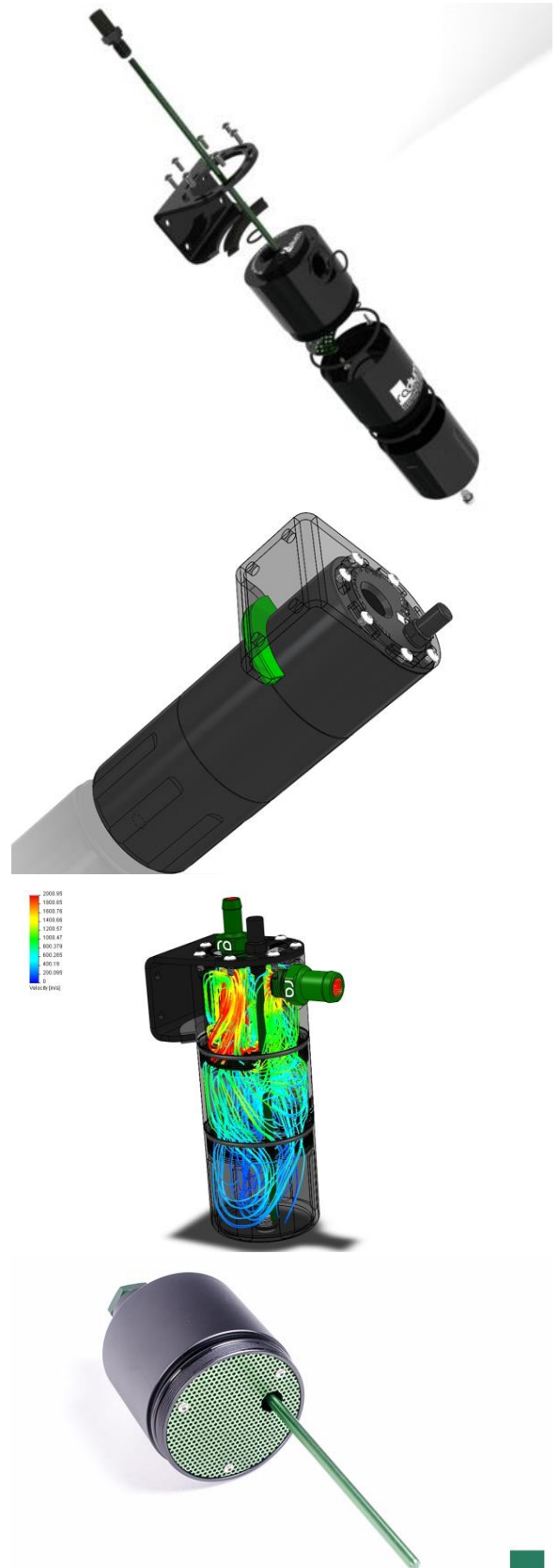
Sandwich the included rubber trim (shown in green) between the mounting bracket and the can. Apply a medium strength thread locker to the included M5x.8mm screws and torque to 68 in-lbs.

The top port is the inlet and the side port is the outlet of the competition catch can. Both ports are tapped with 10AN ORB (7/8"-14) threads.

Before installing the adapter fittings, make sure there are O-rings installed on the fittings. Contact Radium Engineering for multiple configurations, sizes, and styles of adapter fittings for these ports.

Using the oil dipstick, check the fluid level occasionally. If any oil registers, properly dispose by either unscrewing the bottom plug or unscrewing the bottom half of the cans. If the vehicle is regularly tracked, the dipstick should be checked frequently.

The condenser media should also be inspected regularly for excessive debris which will cause restriction in the crankcase ventilation system. The stainless steel media will not corrode and can be cleaned in a parts washer or using soapy water.



Optional Petcock Drain Kit Only:

Replace the bottom plug with the included barb fitting and remotely mount the petcock valve. KEEP TUBING AWAY FROM HOT PARTS!

