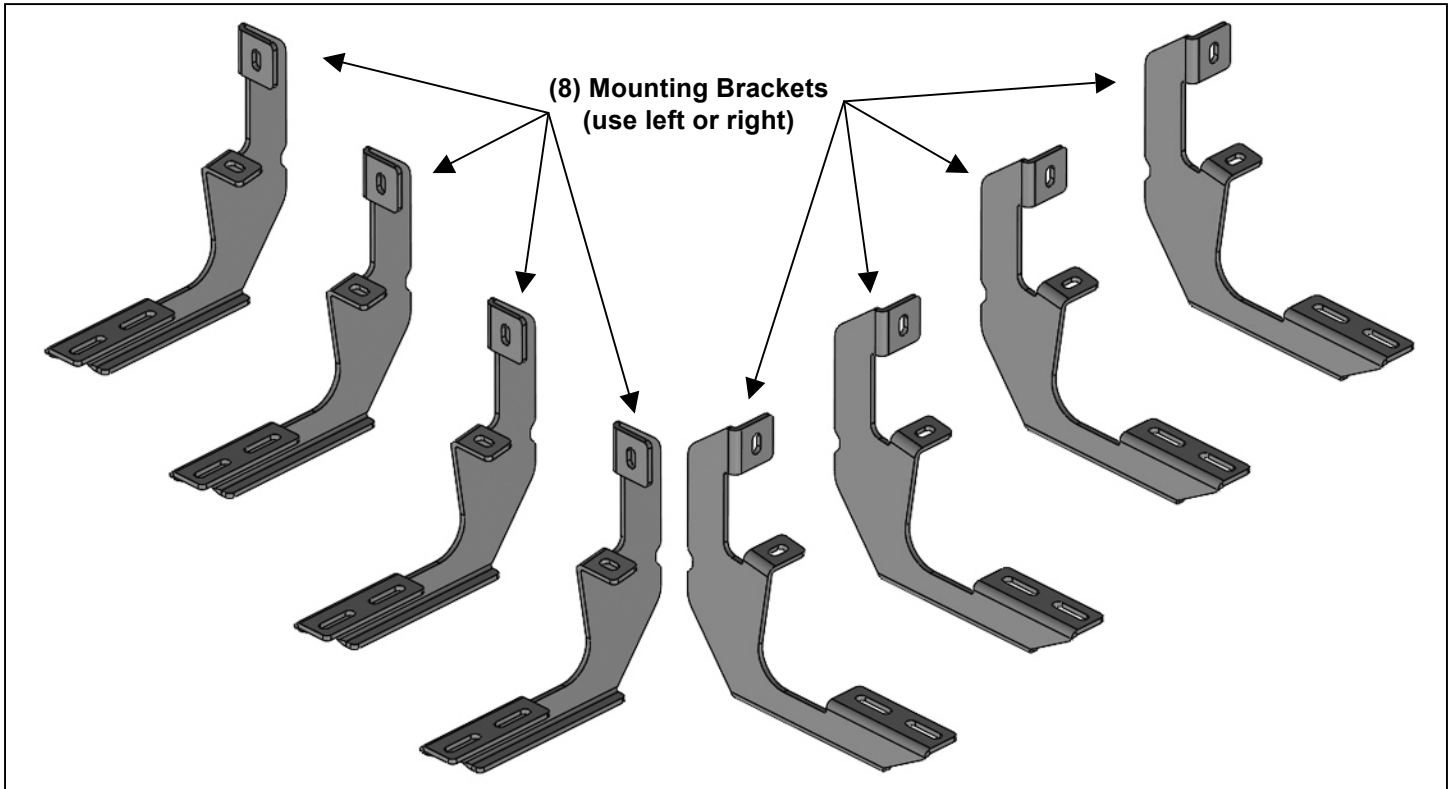


PARTS LIST:

2	Running Boards	16	8mm Lock Washers
8	Mounting Brackets	32	8mm x 24mm x 2mm Flat Washers
16	8-1.25mm Hex Bolts	16	8-1.25mm Nylon Lock Nuts
8	8mm Double Bolt Plates		



PROCEDURE:

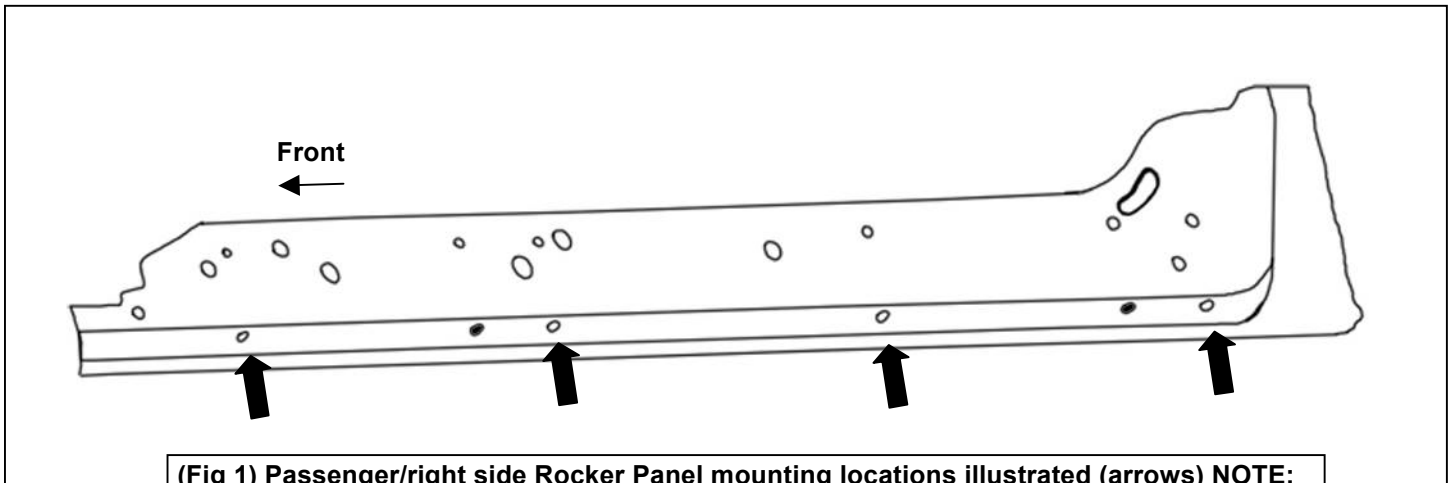
REMOVE CONTENTS FROM BOX. VERIFY ALL PARTS ARE PRESENT. READ INSTRUCTIONS CAREFULLY BEFORE STARTING INSTALLATION. ASSISTANCE IS RECOMMENDED.

1. Start the installation under the passenger side of the vehicle. Locate the 6 plugs along the bottom edge of the body. Mounting brackets will bolt to the 1st, 3rd, 4th and 6th threaded mounting holes, **(Figures 1—6)**. Remove the plastic plugs from each mounting location. Directly above each threaded insert is a top mounting location on the side of the body panel. Hold a bracket up in place to help determine the correct mounting holes to use along the body. **NOTE:** Thread an 8mm Hex Bolt into the threaded inserts to remove paint as required.
2. Select (1) Mounting Bracket. Starting at the front of the passenger/right side, bolt the mounting bracket to the factory threaded holes with (2) 8mm Hex Bolts, (2) 8mm Lock Washers and (2) 8mm Flat Washers, **(Figure 7)**. Do not tighten hardware at this time.
3. Repeat **Steps 1 & 2** to install the remaining (3) Mounting Brackets along the body panel.
4. Select (1) Running Board. Use the illustration above to help determine the correct running board. **NOTE:** Place the running board on top of the brackets. **IMPORTANT:** Do not slide (front to back) the running board on the brackets or damage to the finish may result.
5. Locate the channel opening in the bottom of the running board. Select (3) 8mm Double Bolt Plates, **(Figure 8)**. Insert the bolt plates into the channel in the bottom of the running board closest to the brackets, **(Figure 9)**. Lift the running board up and guide the studs through the brackets.
6. Attach the running board to the brackets with (8) 8mm Flat Washers and (8) 8mm Nylon Lock Nuts, **(Figures 10 & 11)**.

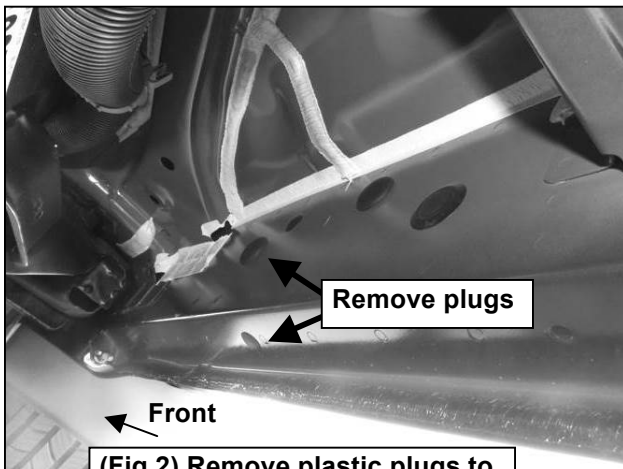
7. Level and adjust the running board and fully tighten all hardware.
8. Repeat **Steps 1—7** to install the remaining running board on the Driver/left side of the vehicle.
9. Do periodic inspections to the installation to make sure that all hardware is secure and tight.

To protect your investment, wax this product after installing. Regular waxing is recommended to add a protective layer over the finish. Do not use any type of polish or wax that may contain abrasives that could damage the finish. Aluminum polish may be used to polish small scratches and scuffs on the finish. Mild soap may be used also to clean the Running Board.

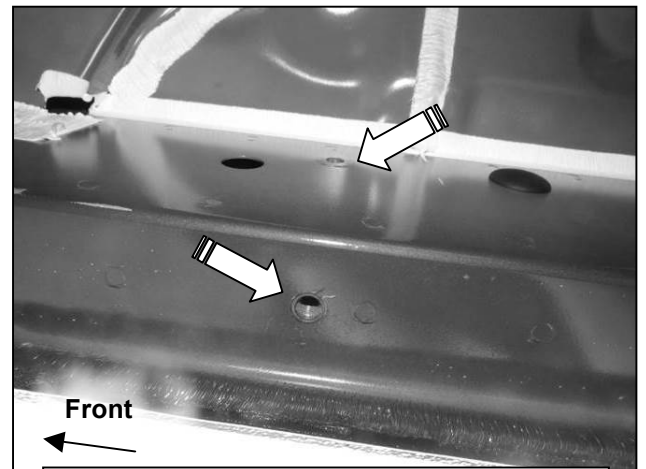
Passenger/right side Installation Pictured



(Fig 1) Passenger/right side Rocker Panel mounting locations illustrated (arrows) NOTE: Hold Bracket up to body panel to help determine the correct mounting locations.

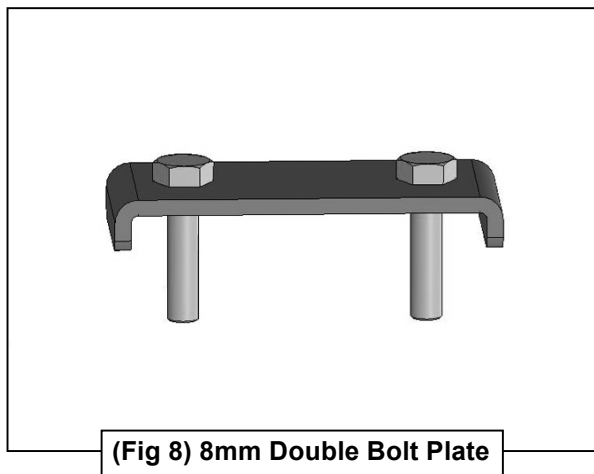
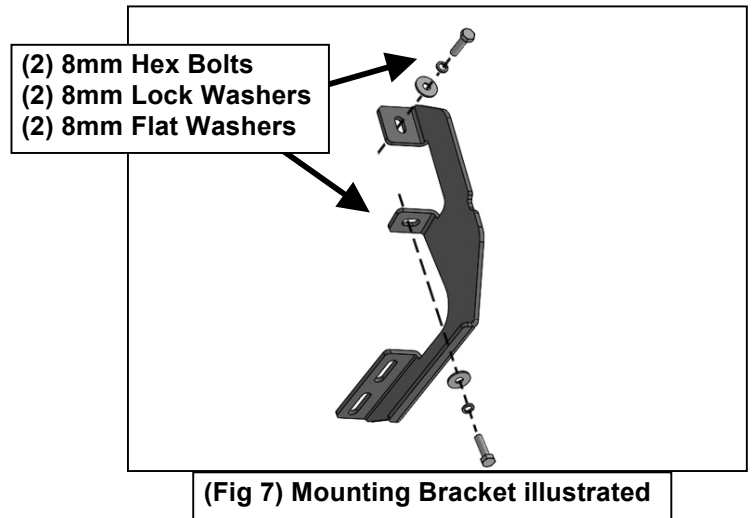
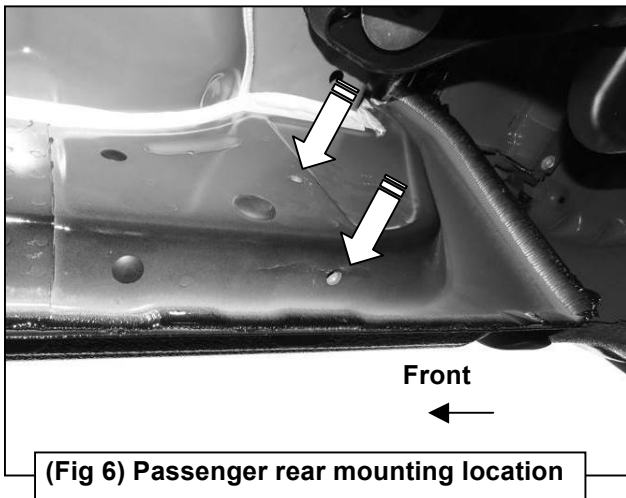
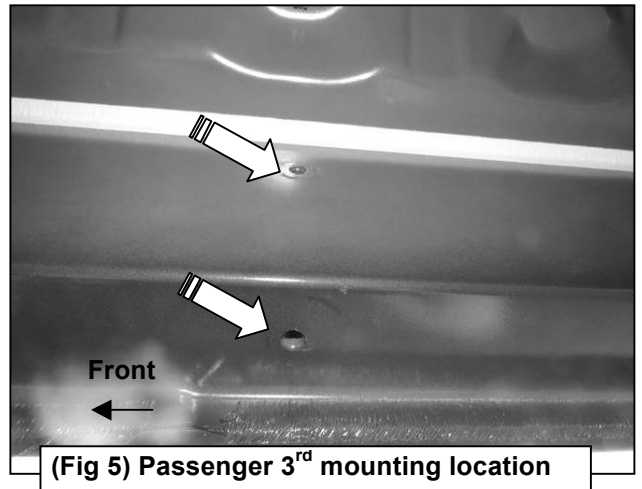
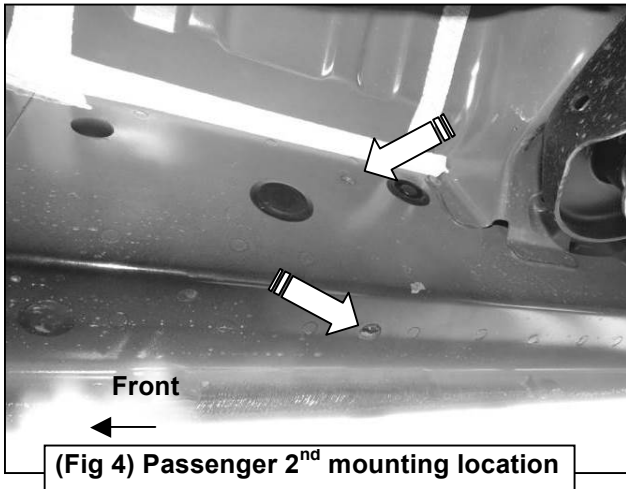


(Fig 2) Remove plastic plugs to uncover threaded inserts

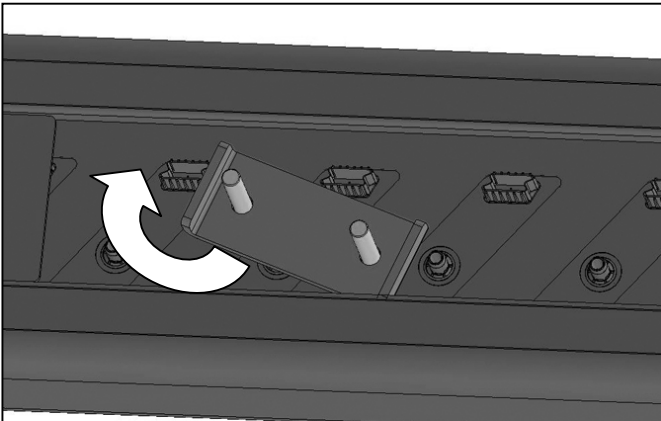


(Fig 3) Passenger front mounting location

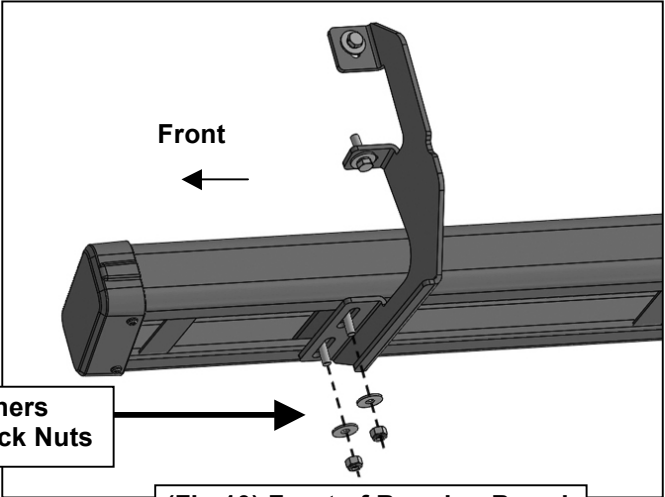
Passenger/right side Installation Pictured



Passenger/right side Installation Pictured

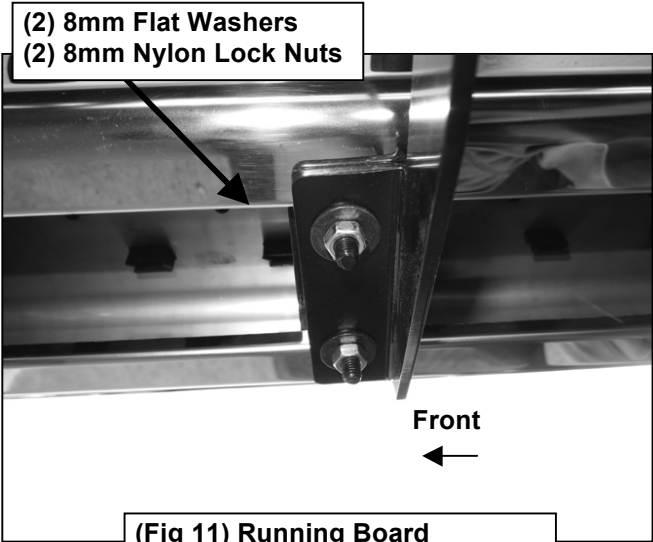


(Fig 9) Insert 8mm Double Bolt Plate through the channel in the bottom of the Running Board



(2) 8mm Flat Washers
(2) 8mm Nylon Lock Nuts

(Fig 10) Front of Running Board attached to Mounting Bracket



(2) 8mm Flat Washers
(2) 8mm Nylon Lock Nuts

(Fig 11) Running Board attached to Mounting Bracket