



www.sparco-official.com



TM-STAND

USER MANUAL

sparco  Gaming

INTRODUCTION

Sparco® S.p.A. thanks you for having chosen the TM-Stand. Please read this manual carefully and keep it for future needs. In the event of doubt, please contact SPARCO® customer service at *customercare@sparco.it*

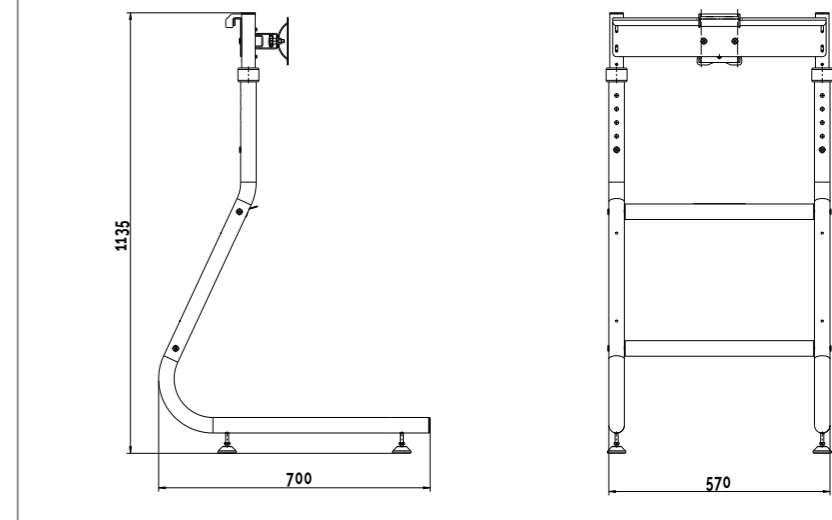
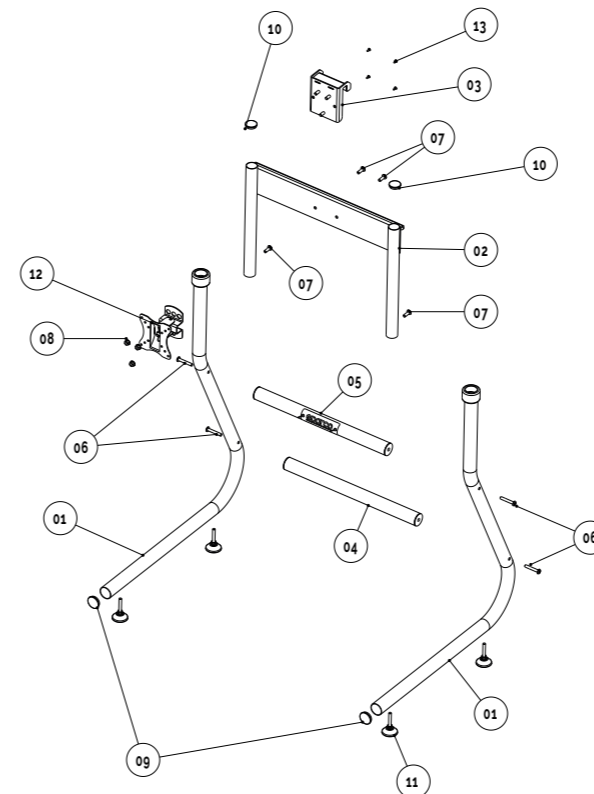
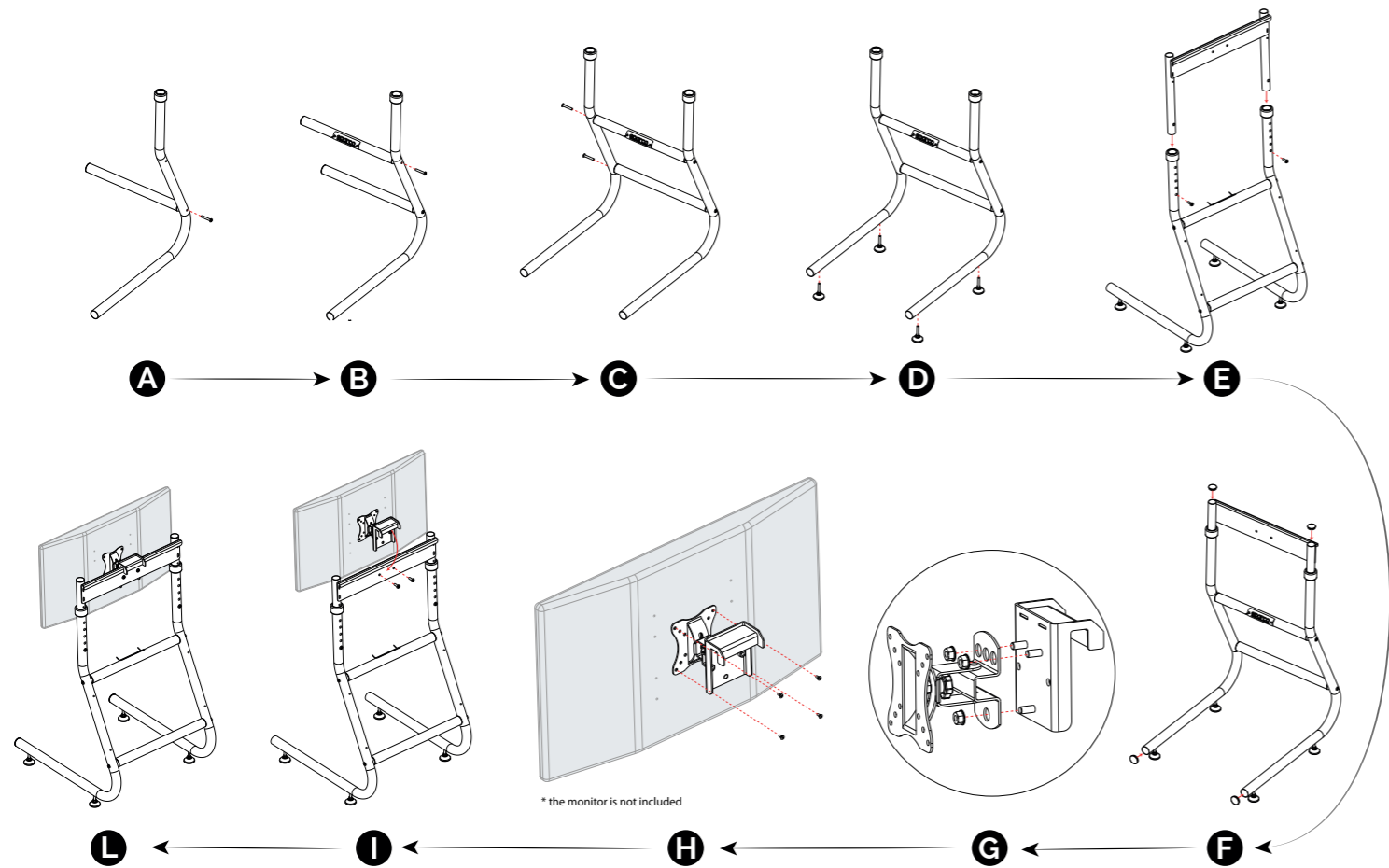
WARRANTY

The Sparco TM-Stand is guaranteed for 24 months from delivery against factory defects as per Directive 99/44/EC. The length of the warranty may vary in some countries due to local laws and practices. The warranty covers product replacement and/or repairs in the event of factory defects for the entire warranty period. Please note that the warranty is null and void should the product be improperly used and/or assembled or subject to maintenance other than that indicated in this illustrative booklet.

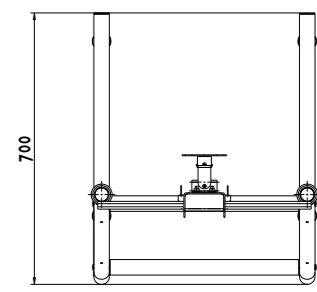
N° 10 4017 01

ASSEMBLY INSTRUCTIONS

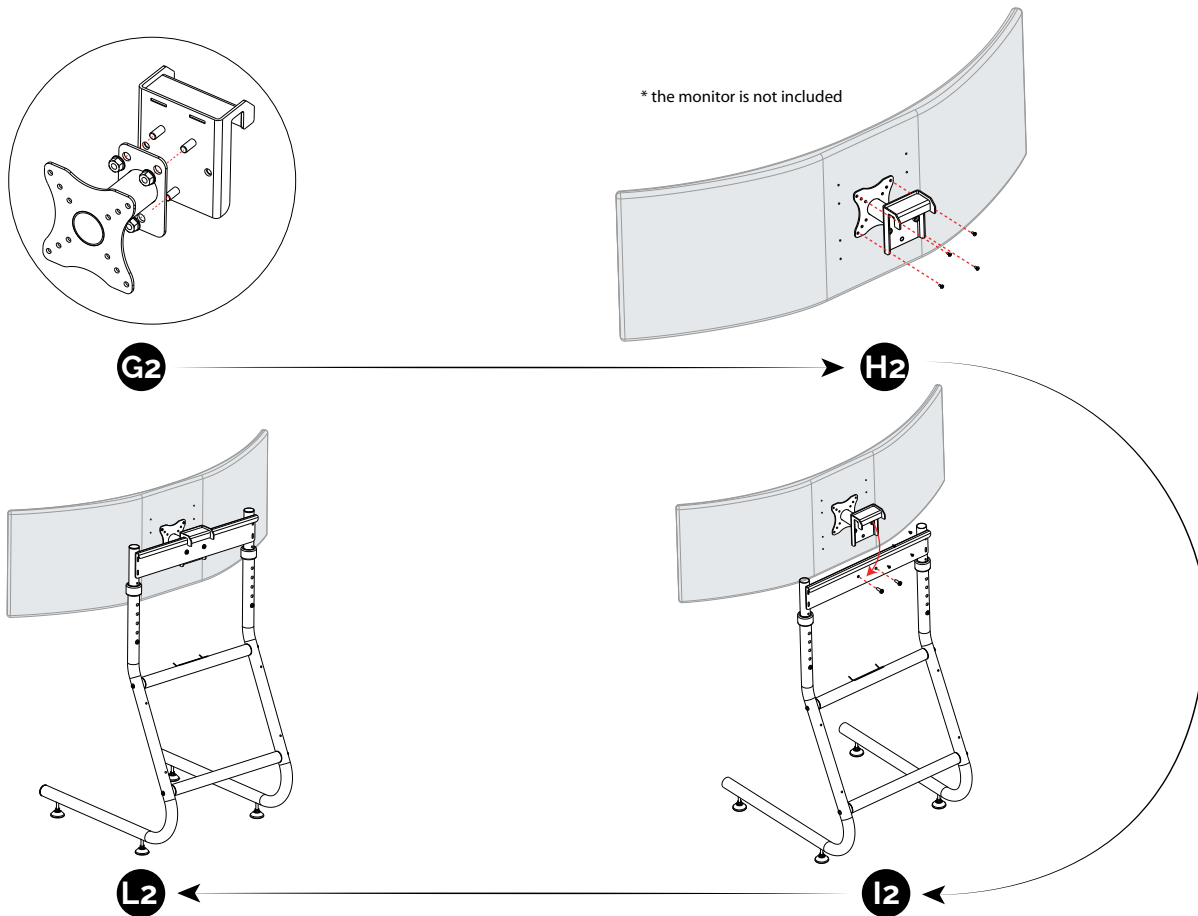
COMPONENTS/GENERAL DIMENSIONS



Pos.	Part Number	Descr.	Qt.
01	COMPL TUBO SUPP		2
02	COMPL SUP SUPPORT		1
03	COMPL FIXING BRACKET		1
04	COMPL CONN TUBE		1
05	COMPL CON TUBE WITH PLATE		1
06	VITE M8X50 BRUNITA NERA		4
07	VITE M8X25 BRUNITA NERA		4
08	DADO FLANGIATO M8 BRUNITO NERO		3
09	TAPPO D40		2
10	TAPPO D35		2
11	PIEDINO M8 P118g108TD		4
12	STAFFA VESA		1
13	VITE M4X10 BRUNITA NERA		4



BRACKET MOUNTING: OPTION 2



WARNING

TM-Stand components were exclusively designed and constructed for video game use. Sparco S.p.A. cannot be held liable for damages and/or risks due to product use other than that for which it was designed.

INSTALLATION AND ASSEMBLY

The Sparco TM-Stand must be installed and assembled by an individual over 16 years old according to the safety and technical instructions provided hereto.

SPARCO® S.P.A.

Via Leini 524, 10088 Volpiano (TO) Italy
Tel. +39 0112240911 - Fax +39 2240900