



151 INDUSTRIAL DRIVE
 ASHLAND, MISSISSIPPI 38603
<http://www.tciauto.com>

TELEPHONE: 662-224-8972
 FAX LINE: 662-224-8255
 E-MAIL: tech@tciauto.com

TCI® 932500 Trim Data Sheet

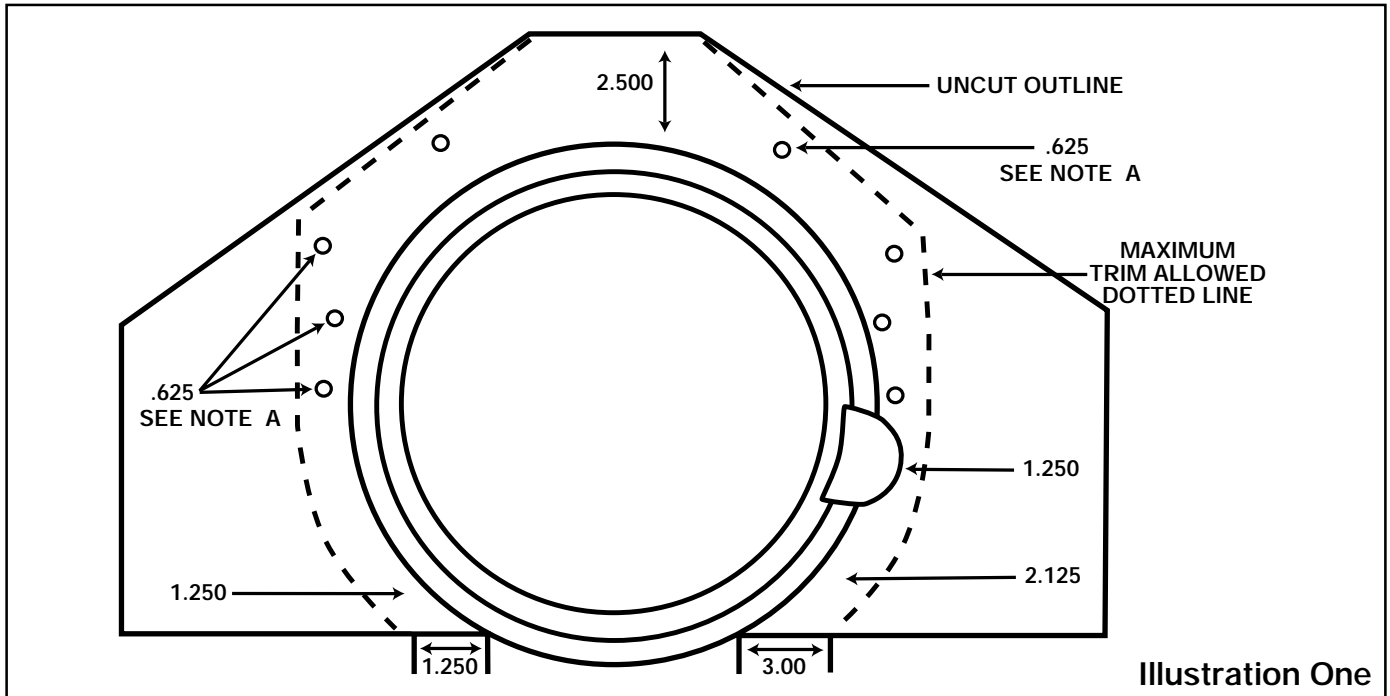
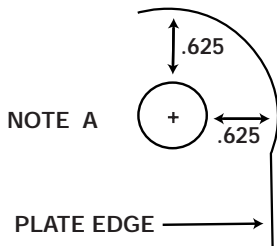


Illustration One



DO NOT TRIM LESS THAN .625 FROM ANY HOLE EDGE TO OUTSIDE OF PLATE!!

**N.H.R.A.
 Accepted**

Starter Hole
 Do Not Trim Border Less Than 1.250 From Edge of Stamped Outer Ring

Trim only with Bandsaw
 Do Not Use Heat or a Flame

If you trim too far you will not pass tech inspection and lose product safety!!!

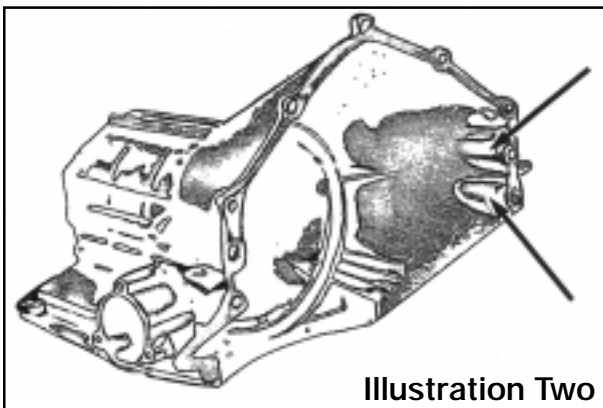


Illustration Two

Note: Works only with small bolt pattern torque converters. If during installation your flexplate shield does not fit properly inside the transmission bellhousing you may need to modify the transmission case bellhousing. We have seen this condition with some of the Turbo 350 and Powerglide cases. Removal of up to .200 inches of material per side may be necessary. (See Illustration Two)

Venture Products International
 Patent No. USA 5,184,524.

**TRANS
 HELP™**
 662-224-8972