

**TP9KACX / TP9KSCX**  
**Two-Post Clear Floor Lifts**

(Asymmetric / Symmetric)

**9,000 lbs. Capacity**

(2,250 lbs. Max per Arm)



**INSTALLATION & OPERATION**  
**MANUAL**

## **IMPORTANT NOTES**

### **READ THE INSTALLATION AND OPERATION MANUAL IN ITS ENTIRETY BEFORE ATTEMPTING TO INSTALL THE LIFT.**

- Do not install this lift on any surface other than concrete, conforming to minimum specifications.
- Do not install this lift over expansion joints or cracks. Check with building architect.
- Do not install this lift on a second floor with a basement beneath without written authorization from building architect.
- Do not install this lift outdoors unless special consideration has been made to protect the power unit from inclement weather conditions.
- A level floor is recommended for proper installation and operation. Concrete should be a minimum of 4-1/4+thickness and 3,000 psi tensile strength with steel or fiber mesh reinforcement.
- The lift is intended to raise the entire body of the vehicle. Do not attempt to lift only part of the vehicle. Improper use of this equipment could result in damage to the lift, yourself or other property.
- The lift is intended to lift vehicles only. It is not designed to lift any person or equipment containing persons.
- Users of this equipment should be qualified, responsible and should follow the operation and safety guidelines set forth in this manual.
- For specifications on concrete pads, please call for technical assistance.
- Improper installation can cause damage or injury. The Manufacturer will NOT assume liability for loss or damage of any kind, expressed or implied, resulting from improper installation or use of this product.

## **DEFINITION**

Surface Mounted, Two-Post, Clear-Floor Lift w/ Overhead Beam, Hydraulic Chain-overqDrive, 9,000 lbs. Capacity.

The name / model numbers are designated below:

- ***Model number TP9KACX - Asymmetric Swing Arms configuration***
- ***Model number TP9KSCX - Symmetric Swing Arms configuration***

## **BASIC SPECIFICATIONS**

<b>Model</b>	<b>Description (Clear Floor)</b>	<b>Capacity</b>	<b>Lifting Time</b>	<b>Overall Height</b>	<b>Overall Width</b>	<b>Lifting height</b>	<b>Between Posts</b>
TP9KACX	Asymmetric	9,000 lbs.	50 Sec	143+	138+	72+	113-5/8+
TP9KSCX	Symmetric	9,000 lbs.	50 Sec	143+	138+	72+	113-5/8+

## PREPARATION

The installation of this lift is relatively simple and can be accomplished by 2 men in a few hours. The following tools and equipment are needed:

- 12 quarts of Non-Detergent / Non-Foaming Hydraulic Oil - SAE-10, AW 32 or equivalent
- Chalk line and 12qTape Measure
- 4ft. Level
- Rotary Hammer Drill with 3/4"+Masonry Drill Bit. (Core Drill Rebar Cutter also recommended)
- Hammer and Hex Key Wrench Set
- Metric Sockets and Open Wrench set - 13mm-30mm
- Medium Adjustable Wrench and Medium Pipe Wrench
- Crowbar for Shim Installation and Medium Flat Screwdriver
- Locking, Needle Nose and Snap Ring Pliers

## GENERAL INFORMATION

1. Carefully remove the crating and packing materials.

**CAUTION! Be careful when cutting steel banding material as items may become loose and fall causing personal harm or injury.**

2. Identify the components and check for damage or shortages.

**Please contact your distributor immediately, if any damages or shortages are discovered.**

### **Packing:**

- The lift assembly is packaged into two columns as one piece, as shown in **(Fig.1)**.
- Every column comes with its cylinder, carriage, cables & chains, lifting arms, swivel pads, height extensions, hoses and overhead beam with the hardware box located in one of the columns.
- The electric-hydraulic motor pump is packaged separately and banded to top of lift.



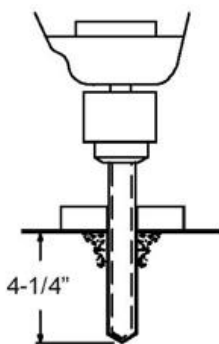
**Fig. 1**

## FOUNDATION and ANCHORING REQUIREMENTS

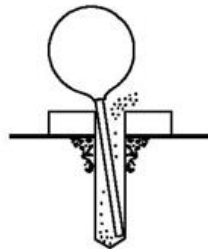
1. Concrete shall have compression strength of at least 3,000 PSI and a minimum thickness of 4-1/4" in order to achieve a minimum anchor embedment of 3-1/4". **NOTE:** When using the standard supplied 3/4" x 5-1/2" long anchors, if the top of the anchor exceeds 2-1/4" above the floor grade, you **DO NOT** have enough embedment.
2. Maintain a 6" minimum distance from any slab edge or seam. Hole to hole spacing should be a minimum 6-1/2" in any direction. Hole depth should be a minimum of 4-1/4".
3. **DO NOT** install on asphalt or other similar unstable surface. Columns are supported only by anchoring to floor.
4. Using the horseshoe shims provided, shim each column base as required until each column is plumb. If one column has to be elevated to match the plane of the other column, full size base shim plates should be used. Torque anchors to 130 ft-lbs. Shim thickness **MUST NOT** exceed 1/2" when using the 5-1/2" long anchors provided with the lift.
5. If anchors do not tighten to 130 ft-lbs. installation torque, replace the concrete under each column base with a 4' x 4' x 6" thick 3,000 PSI minimum concrete pad keyed under and flush with the top of existing floor. Allow concrete to cure before installing lifts and anchors (typically 2 to 3 weeks).

## ANCHORING TIPS

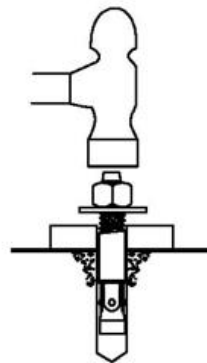
1. Use a concrete hammer drill with a carbide tip, solid drill bit the same diameter as the anchor, 3/4" - (.775 to .787 inches diameter). Do not use excessively worn bits or bits which have been incorrectly sharpened.
2. Keep the drill in a perpendicular line while drilling.
3. Let the drill do the work. Do not apply excessive pressure. Lift the drill up and down occasionally to remove residue to reduce binding.
4. Drill the hole to depth of 2" deeper than the length of anchor. **NOTE:** Drilling thru concrete (recommended) will allow the anchor to be driven thru the bottom of foundation if the threads are damaged or if the lift will need to be relocated.
5. For better holding power blow dust from the hole.
6. Place a flat washer and hex nut over threaded end of anchor, leaving the nut almost flush with the top of the anchor bolt. **Do not damage threads.** Tap anchor into the concrete until nut and flat washer are against base plate. **Do not use an impact wrench to tighten!** Tighten the nut, two or three turns on average after the concrete has cured (28-day cure). If the concrete is very hard only one or two turns may be required.



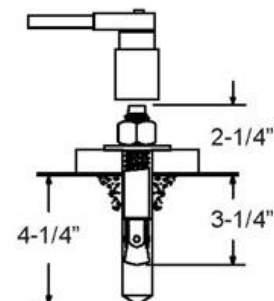
Drill holes using 3/4" carbide tipped masonry drill bit per ANSI standard B94.12.1977



Clean hole.



Run nut down just below impact section of bolt. Drive anchor into hole until nut and washer contact base.

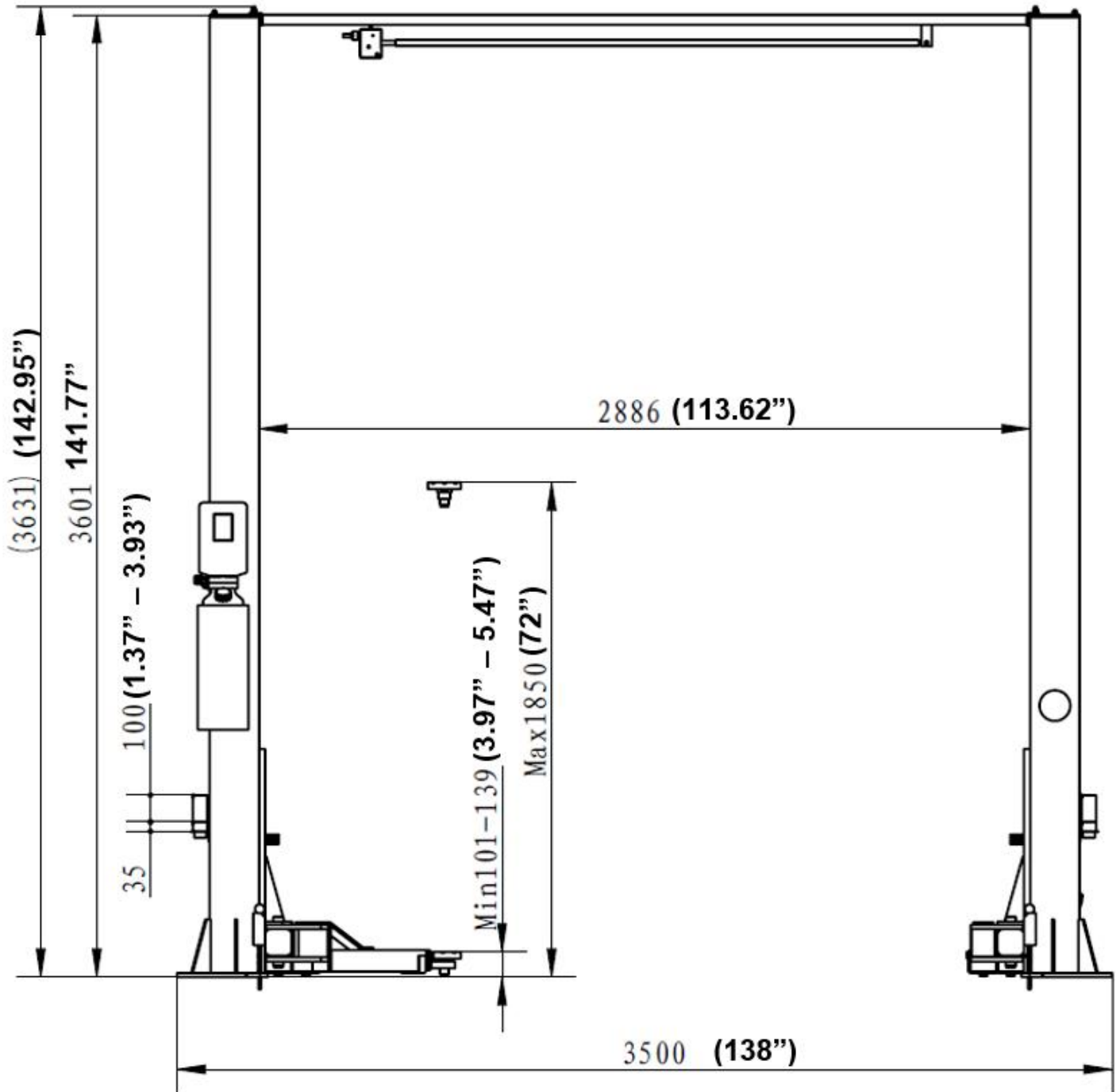


Tighten nut with Torque wrench to 130 ft.-lbs.

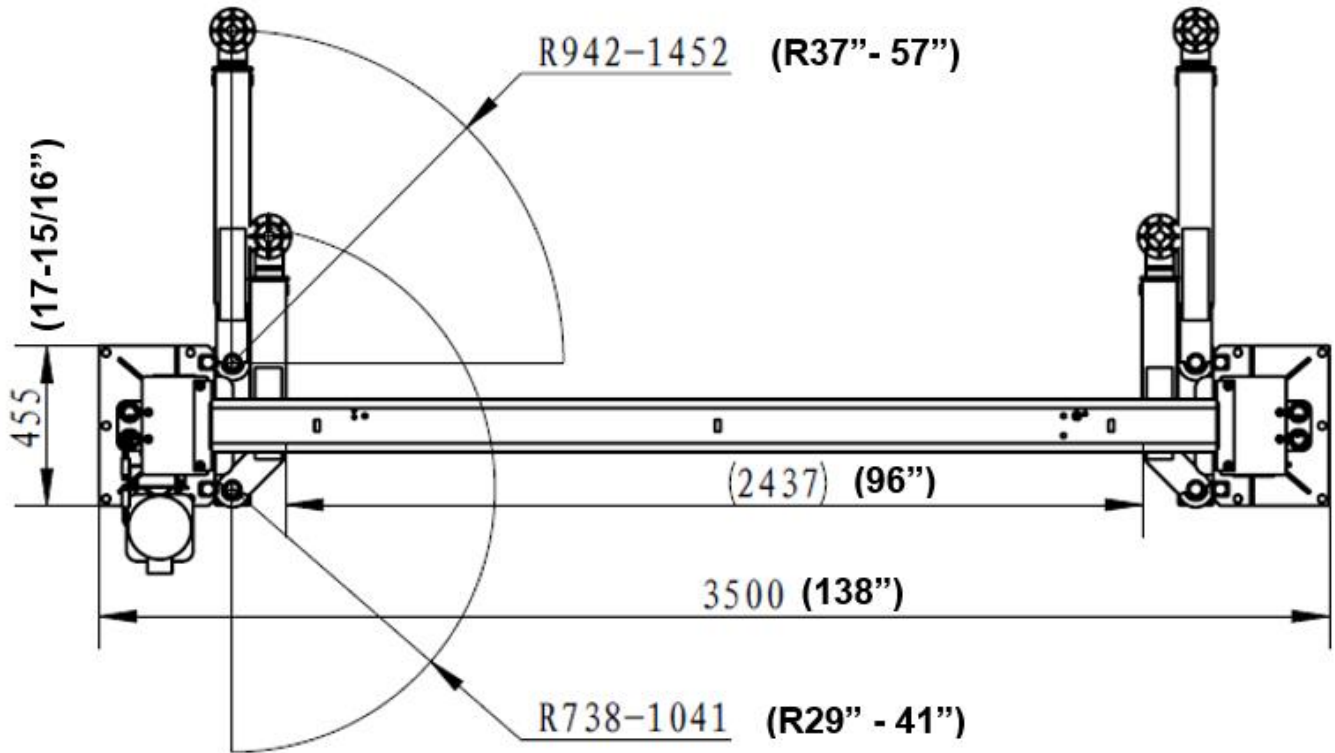
## INSTALLATION INSTRUCTIONS

**STEP 1: (Selecting Site)** Before installing your new lift, check the following:

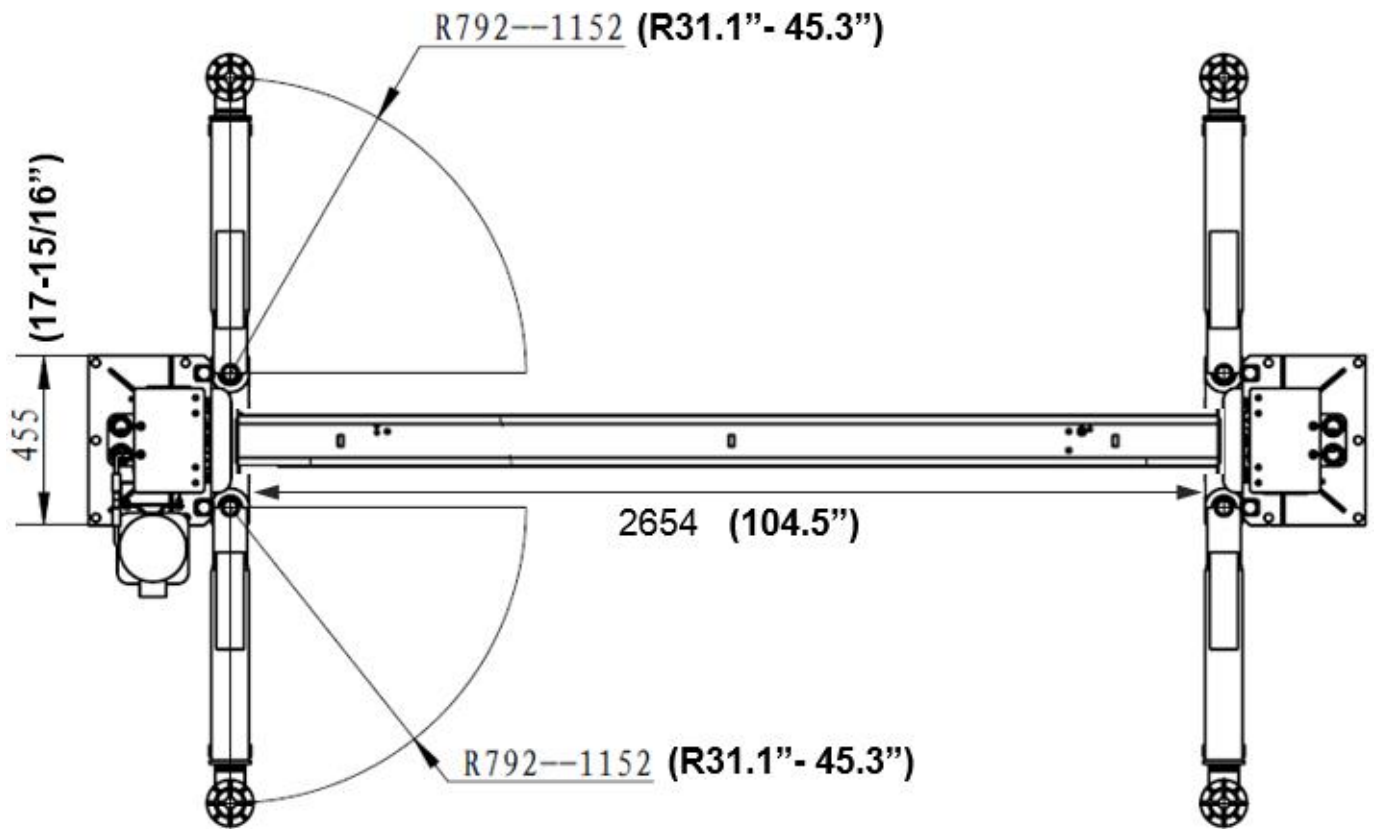
1. **LIFT LOCATION:** Always use architects plans when available. Check layout dimension against floor plan requirements making sure that adequate space is available (**Fig. 2, 2a, 2b & Fig. 3**).



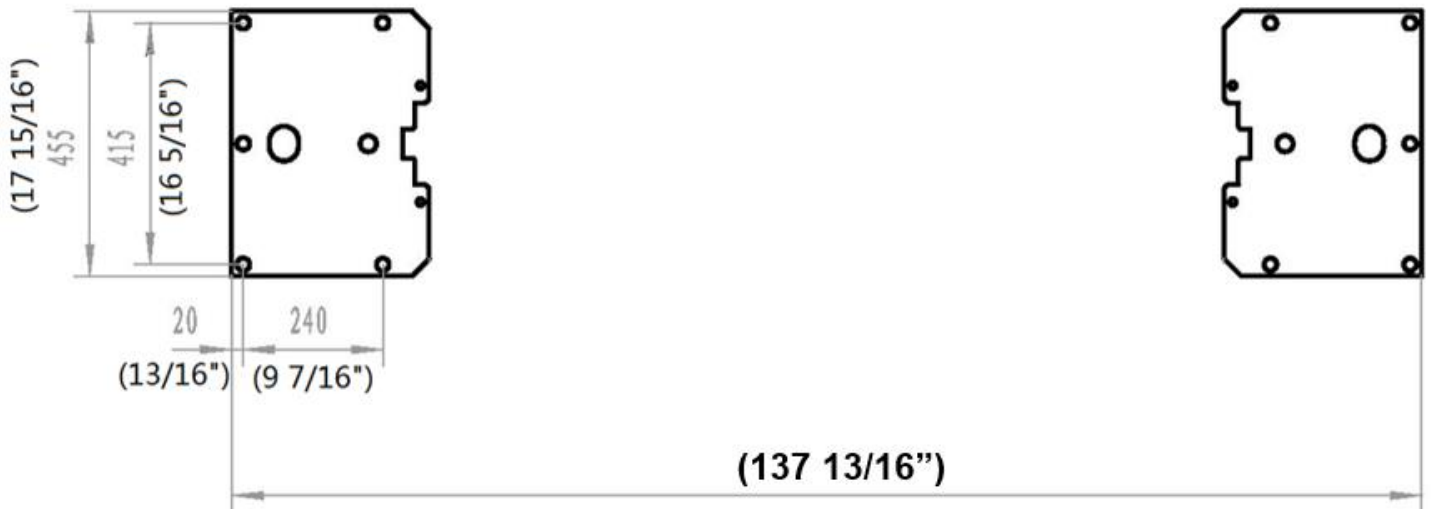
**Fig. 2**  
**(TP9KACX & TP9KSCX)**



**Fig. 2a**  
**(TP9KACX - Asymmetric Lift)**



**Fig. 2b**  
**(TP9KSCX - Symmetric Lift)**



**Fig. 3**  
**(Column / Floor Layout)**

2. **OVERHEAD OBSTRUCTIONS:** The area where the lift is located should be free of overhead obstructions such as heaters, building supports, electrical lines, etc. **(Fig 2.)**
3. **DEFECTIVE CONCRETE:** Visually inspect the site where the lifts will be installed and check for cracked or defective concrete. **(Details on Page 4)**
4. **FLOOR REQUIREMENTS:** The lift should be installed on a 3000 PSI concrete with minimum of 4-1/4+ thickness. The Floor should be level with-in gradients of  $\leq 1/4+$  within area of the two columns = 138+ x 18+).

**(See Details for Foundation Anchoring Requirements & Anchoring Tips on Page 4)**

**STEP 2: (Unloading & Unpacking)**

1. After unloading the lift, place it near the intended installation location.
2. Remove the shipping bands and packing materials from the unit.
3. Remove the packing brackets and bolts holding the two columns together. (Do not discard bolts, they may be used in the assembly of the lift)
4. Take out the lifting arms, swivel pads, height extensions, hardware box, hoses, covers, etc., from the column. Check the quantity of each item with the parts list. If anything is missing, please contact your dealer at once.

### **STEP 3: (Site Layout)**

1. Determine which side will be the approach side.
2. Now determine which side you prefer the power unit to be located on. The MAIN column has the power-unit mounting bracket attached to the side, as shown in (Fig. 4).

***Note: the power unit column can be located on either side. It is helpful to try and locate the power side on the driver side of the vehicle when loaded on the lift, in order to save steps during operation.***

3. Once a location is determined, use a carpenter's chalk line to layout a grid for the post locations. (See Fig. 3)

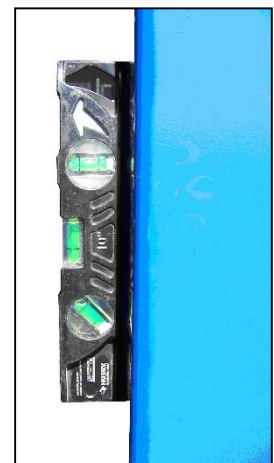


**Fig. 4**

4. After the post locations are marked, use a chalk or crayon to make an outline of the posts on the floor at each location using the post base plates as a template.
5. Double check all dimensions and make sure that the layout is perfectly square.

### **STEP 4: (Installing MAIN COLUMN w/ Power Unit Bracket)**

1. Before proceeding, double check measurements and make certain that the bases of each column are square and aligned with the chalk line.
2. Ensure Top Cap is pre-installed to the top of the Main column. Raise the column to a vertical position.
3. Using the base plate on the MAIN column as a guide, drill each anchor hole into concrete using a rotary hammer drill and  $\frac{3}{4}$ +concrete drill-bit. To assure full holding power, do not ream the hole or allow the drill to wobble. (See Anchoring Details on Page 4)
4. After drilling, remove dust thoroughly from each hole using compressed air and/or wire brush. Make certain that the column remains aligned with the chalk line during this process.
5. Assemble the washers and nuts on the anchors then tap into each hole with a block of wood or rubber hammer until the washer rests against the base plate. Be sure that if shimming is required that enough threads are left exposed.
6. Using a level, check column plumb for every side (Fig. 5). If shimming is required, use supplied Shim stock or  $\frac{3}{4}$ +washers, placing shims as close as possible to the hole locations. This will prevent bending column bases.
7. With the shims and anchor bolts in place, tighten by securing the nut to the base then turning 2-3 full turns clockwise. Ensure anchor bolts are tightened to a minimum of 130 ft-lbs. of torque. DO NOT use an impact wrench for this procedure.



**Fig. 5**

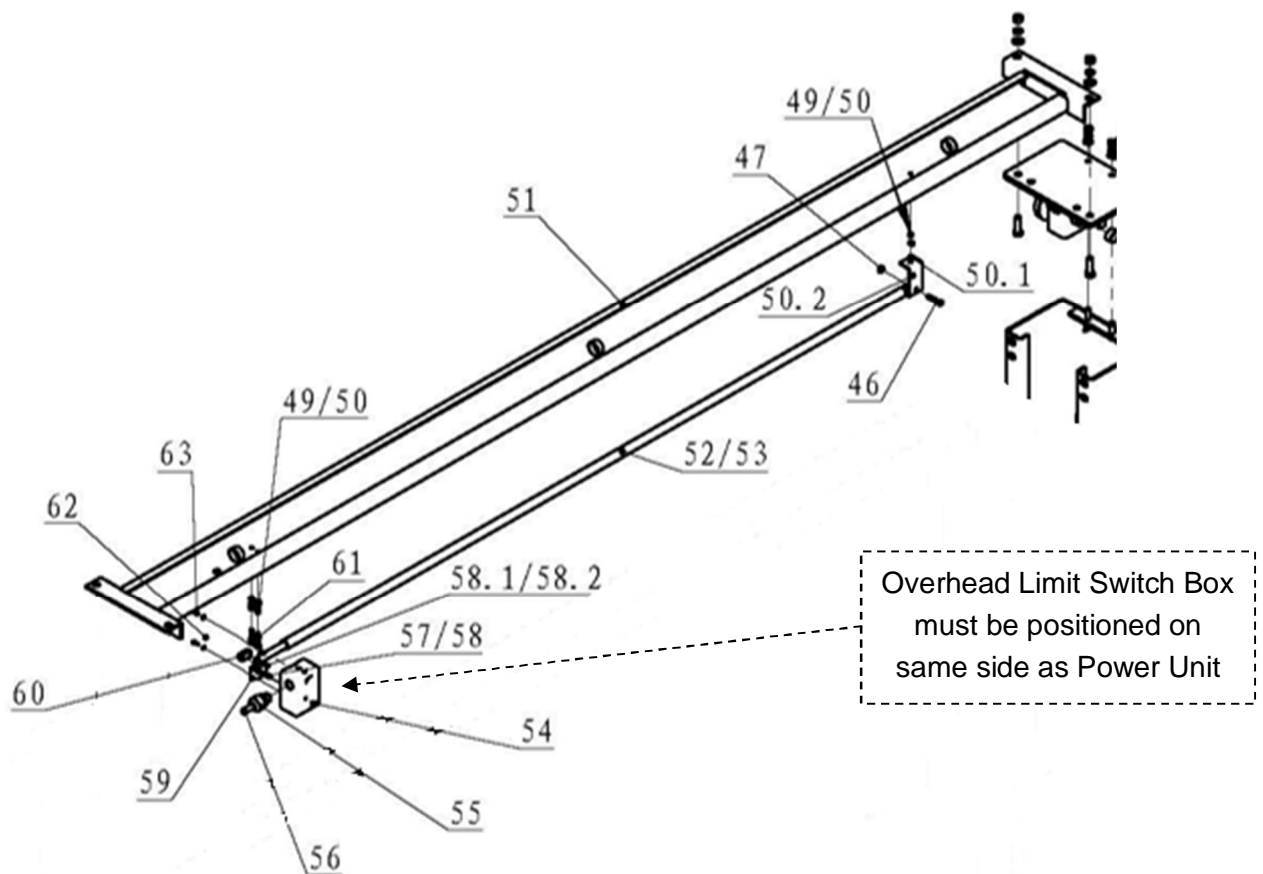


**STEP 5: (Installing OFFSIDE COLUMN & OVERHEAD BEAM ASSEMBLY)**

**NOTE:** Install Overhead Beam assembly to top of columns **BEFORE** drilling anchors for Offside column. This is to ensure that the Offside column can be properly positioned to be plumb and level.

1. Raise OFFSIDE column and position at the designated chalk locations, ensuring the Top Cap is pre-installed to the top of the OFFSIDE column.
2. Assemble and mount the Overhead padded Shut-Off Bar & Limit Switch assembly to the Overhead Beam, as shown below in (Fig 6).

**NOTE:** Ensure to position the Limit Switch Box assembly on the same side as the Power Unit.



**Fig. 6**

3. Using a lifting device, raise the Overhead Beam assembly and position on top of the columns. Bolt it to the columns using the bolts, nuts, and washers, as shown in (Fig. 6).
4. Use a tape measure to measure the diagonal distance between the opposite corners of the base plates on the columns. Equal values will ensure the lifting arms will be in square.
5. Secure OFFSIDE column to the floor following the same procedures as outlined in **STEP 4**.

### **STEP 6: (Installing POWER UNIT)**

1. Attach the power unit to the mount bracket on the side of the Main Column using bolts, nuts and washers supplied (**Fig. 7**).
2. Remove the vent plug from the power unit and fill the reservoir with hydraulic oil. Make sure the funnel used to fill the power unit is clean.

**Suggestion: Use Non-Detergent / Non-Foaming Hydraulic Oil - SAE-10, AW 32 or equivalent. The unit holds approximately ten quarts of fluid.**



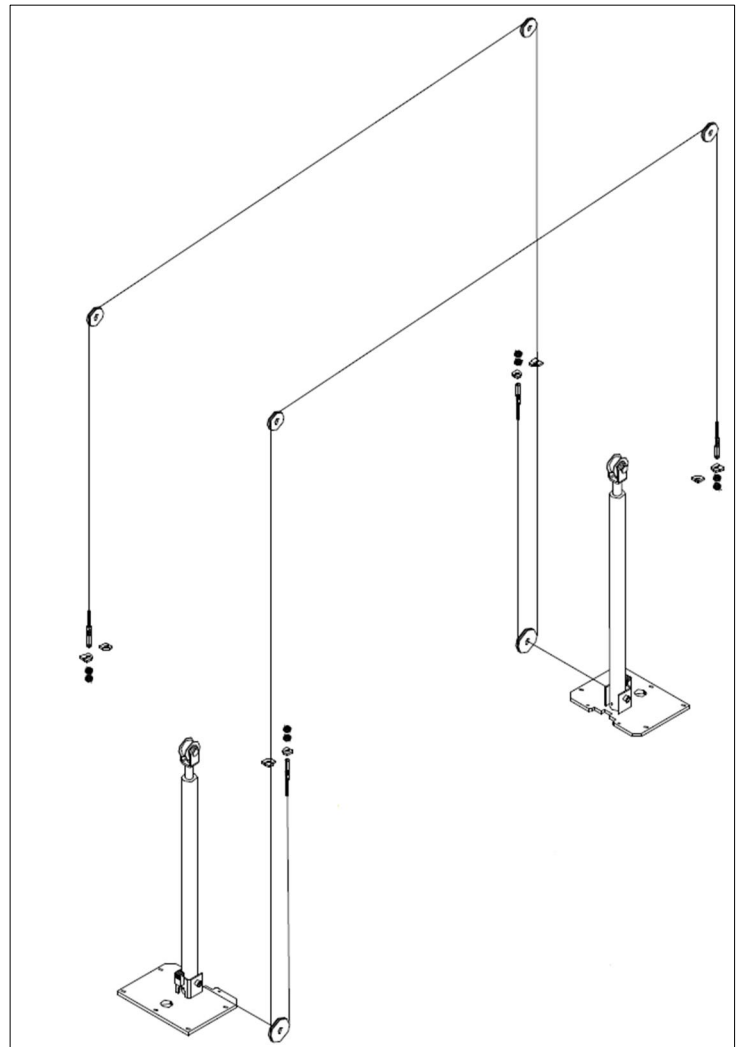
**Fig. 7**

### **STEP 7: (Installing / Routing EQUALIZER CABLES)**

1. Raise and lock each carriage on the first safety latch engagement, approximately 30+ high.
2. Make sure that the safety locks on each column are fully engaged before attempting to route equalizer cables.
3. Be sure each carriage is at the same height by measuring from the top of the base to the bottom of the carriage. This difference should be within 1/4+.
4. Route the first cable. (**See Figs 8 & 9**)  
Screw the nut on the cable stud so that half thread passes through the nut. Pull the other end of the cable and screw the nut on it also. Then tighten both nuts.



**Fig. 8**



**Fig. 9 (Cable Route Diagram)**

**STEP 7:** (Installing / Routing EQUALIZER CABLES) Cont.

5. Repeat above for the second cable.
6. Adjust each equalizer cable to approximately 1/2+side-to-side play. Ensure that each cable has equal tension. Also, check the carriage height to ensure both carriages are sitting on the same latch.

**STEP 8:** (Installing / Routing HYDRAULIC HOSES, HYDRAULIC FITTINGS & HOSE COVERS)

1. Install & connect hydraulic hoses, fittings and hose covers, as shown below in (Figs. 10-12) along with the Exploded Views #2 diagram on page 21.

**NOTE:** It is necessary to have hoses routed through Hose Covers (Fig. 12), along with ensuring the hydraulic T-Fitting's threads are fully tightened against the outside of Main column, as shown in (Fig. 10 & 11).



Fig. 10



Fig. 11



Fig 12.

**CAUTION!** When routing the hydraulic hoses, make sure hoses & fittings are clear of any moving parts.

**STEP 9:** (Installing Swing Arms & Arm Restraints)

1. Install the swing arms on the carriages using the included 1-1/2+swing arm pins.

**Note:** (Asymmetric Lifts – the short, asymmetric swing arms are designed for front vehicle placement, with the long, asymmetric arms for rear vehicle placement.

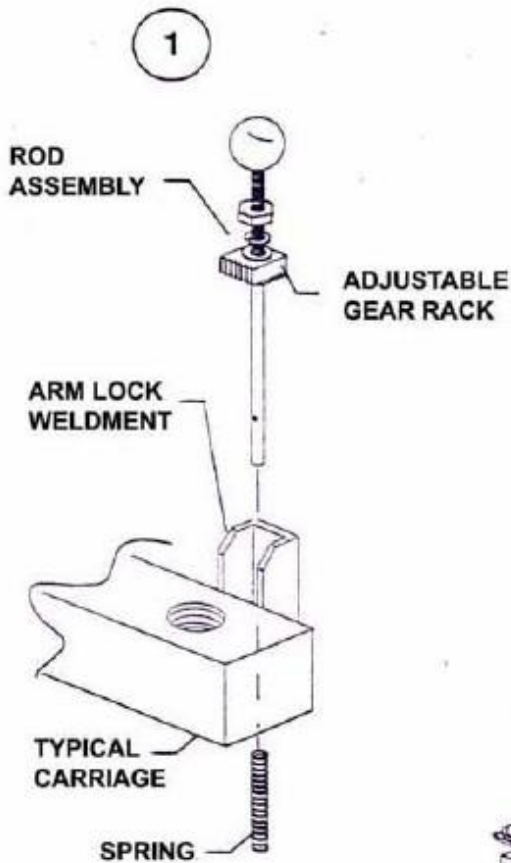


**STEP 9: (Installing Swing Arms & Arm Restraints) Cont.**

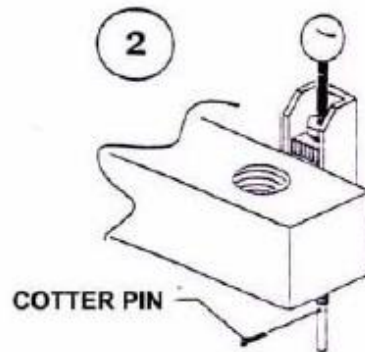
2. Install arm restraint mechanisms to each swing arm, as shown below in (Fig. 13).
3. Check for proper engagement for the arm restraints as the gear rack should fully engage the gear on the arm.

**Arm Restraint Assembly & Adjustment**

INSTALL ROD ASSEMBLY AS SHOWN



INSTALL COTTER PIN AS SHOWN TO ENSURE SPRING STAYS INPLACE.

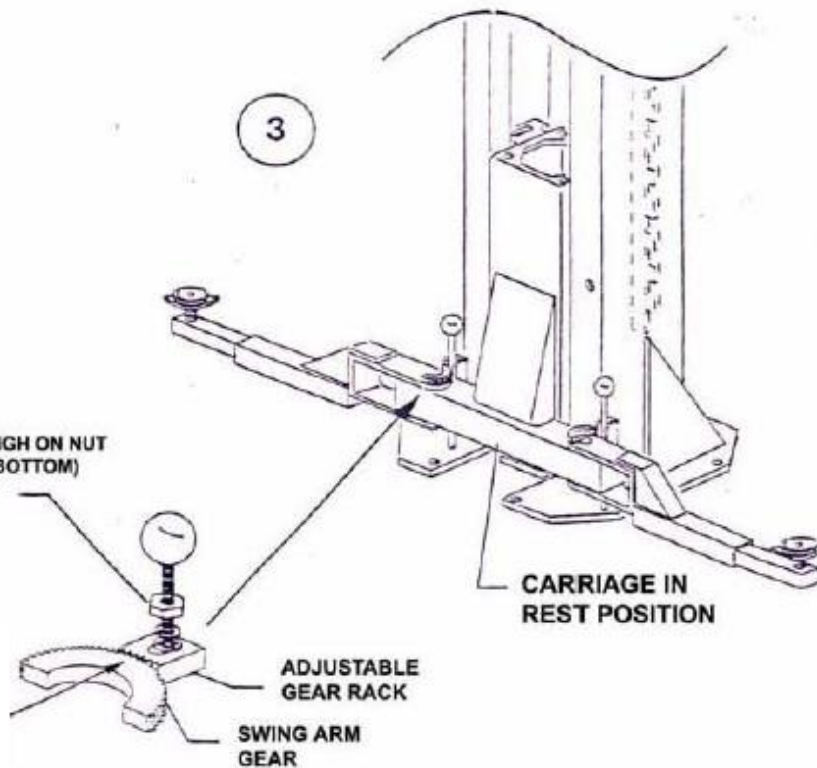


ADJUST ROD HEIGHT WHEN CARRIAGE IS IN REST POSITION

4 USE 9/16 BOXED END WRENCH ON NUT & PLIERS ON ROD (AT THE BOTTOM) TO TIGHTEN NUT DOWN ON GEAR RACK. MAKE SURE GEAR IS ENGAGED.

**SAFETY NOTICE!**

BEFORE OPERATION USE. ADJUST GEAR RACK WITH SWING ARM INSTALLED & LIFT FULLY LOWERED. IF NOT PROPERLY ADJUSTED, MAY RESULT IN SERIOUS DAMAGE OR INJURY.



**Fig. 13**

**STEP 10: (Electrical Connection to POWER UNIT & OVERHEAD LIMIT SWITCH)**

1. Have a certified electrician make the electrical connection to the power unit. Use a separate circuit for each power unit, as shown below in (Fig. 14).

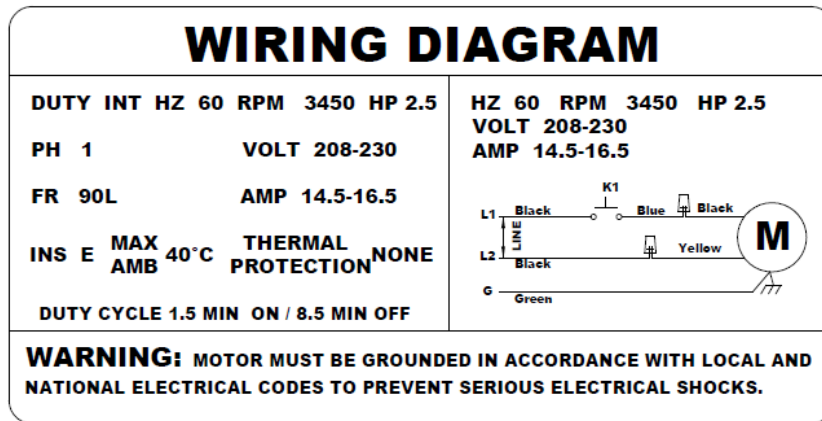


Fig. 14

***IMPORTANT!*** The wiring must comply with local code. Protect each circuit with time delay fuse or circuit breaker. For 208V-230V single phase, use 20 amp fuse.

***WARNING!!*** Never operate the motor in line voltage less than 208VAC as motor damage may occur.

2. Have a certified electrician make the electrical connection for the K2 overhead limit switch to power unit's switch box, as shown in (Fig. 14b).

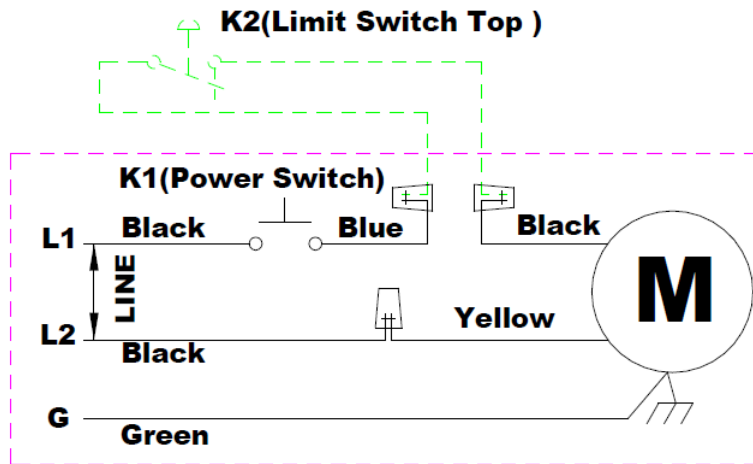


Fig. 14b

3. Route limit switch cable thru Overhead Beam & Main Column, as shown below in (Figs. 15-17).

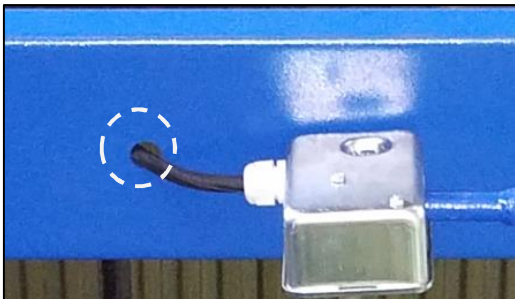


Fig. 15

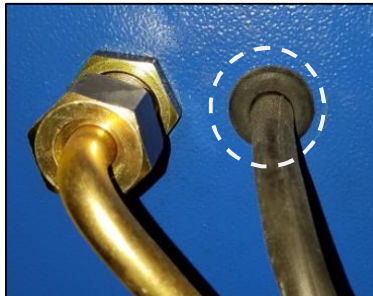


Fig. 16

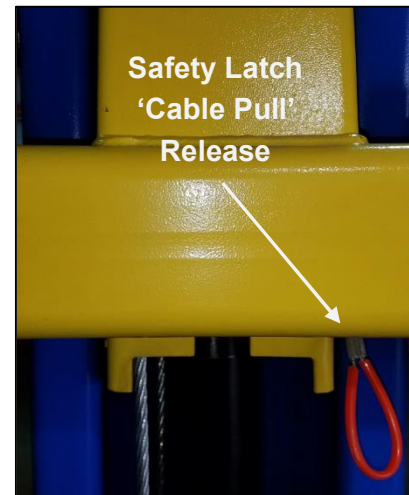


Fig. 17

### **STEP 11: (Checking Operation)**

**See next page for detailed Operation Instructions:**

1. Do not place any vehicle on the lift at this time. Cycle the lift up and down several times to ensure carriage latches click together and all air is removed from the hydraulic system.
2. To lower the lift, both carriage's safety latch releases must be manually pulled down to be released to lower lift (**Fig.18**). The latches will automatically reset once the lift ascends approximately 17+from base.
3. If latches click out of sync, tighten the equalization cable on the one that clicks first.



**Fig. 18**

**THE LIFT IS NOW READY FOR USE.**

**IMPORTANT!**

**Read Safety & Operating Information on following pages before using lift.**

# **OPERATION INSTRUCTIONS**

## **RAISE LIFT**

1. Read operating and safety manuals before using lift.
2. Always lift a vehicle according to the manufacturers recommended lifting points
3. Position vehicle between columns, as equally as possible.
4. Adjust swing arms so that the vehicle is positioned with the center of gravity midway between pads.
5. Use truck adapters as needed. Never exceed 9+of pad height.
6. Raise the lift by pressing button on power unit until support pads contact the underside of the vehicle and re-check to make sure vehicle is secure.
7. Raise vehicle to desired working height. The latch mechanism will ~~trip~~trip over when the lift raises and drop into each latch stop.
8. Press lowering ~~release~~release lever on Power Unit to lower lift onto latches, to lock the lift in the proper safety position.

***Note: Always lock the lift before going under the vehicle. Never allow anyone to go under the lift when raising or lowering. Read the safety procedures in the manual.***

## **LOWER LIFT**

1. Ensure tools, trays, stands and/or personnel are removed from under vehicle.
2. Slightly raise lift until the safety latches clear column locks.
3. Pull latch release cables on both sides.

### **WARNING: ALWAYS RELEASE BOTH SAFETY LATCHES ON EACH SIDE**

4. Press the release lever on the power unit to lower the lift.
5. Before removing vehicle from lift area, position lift arms and supports to provide an unobstructed exit.

### **WARNING: NEVER DRIVE OVER LIFT'S ARMS.**

***Note: It is normal for an empty lift to lower slowly, it may be necessary to add weight.***

## **SAFETY PROCEDURES**

- Never allow unauthorized persons to operate lift. Thoroughly train new employees in the operation and care of the lift.
- Caution: the power unit operates at high pressure.
- Remove passengers before raising vehicle.
- Prohibit unauthorized persons from being in shop area while lift is in use.
- Total lift capacity is 9,000 lbs. with 2,250 lbs. per arm pad. Never exceed the capacity.
- When approaching the lift with a vehicle, center the vehicle between the columns so that the tires will clear the swing arms easily. Slowly drive the vehicle up between the posts. Have someone outside the vehicle guide the driver.
- Always lift vehicle using all four arms. Never use lift to raise one end or one side of vehicle.
- Prior to lifting vehicle, walk around the lift and check for any objects that might interfere with the operation of lift and safety latchesLtools, air hoses, shop equipment.
- Raise vehicles about 3+and check stability by rocking.
- Prior to lowering vehicle, walk around the lift and check for any objects that might interfere with the operation of lift and safety latchesLtools, air hoses, shop equipment.
- After lowering lift, swing the arms out of the path and slowly drive the vehicle out. Have someone outside the vehicle guide the driver.

**ALWAYS LOCK THE LIFT BEFORE GOING UNDER THE VEHICLE.**

**NEVER ALLOW ANYONE TO GO UNDER THE LIFT WHEN RAISING OR LOWERING.**

## **OWNER / EMPLOYER RESPONSIBILITIES**

- Shall establish procedures to periodically maintain, inspect and care for the lift in accordance with the manufacturer's recommended procedures to ensure its continued safe operations.
- Shall provide necessary lockout of energy sources per ANSIZ244.1 . 1982 before beginning any lift repairs.
- Shall not modify the lift in any manner without prior written consent of the manufacturer.

## **MAINTENANCE SCHEDULE**

The following periodic maintenance is the suggested minimum requirements and minimum intervalsLaccumulated hours or monthly period, whichever comes sooner. If you hear a noise or see any indication of impending failure - **cease operation immediately** . inspect, correct and / or replace parts as required.



**WARNING!! OSHA AND ANSI REQUIRE USERS TO INSPECT LIFTING EQUIPMENT AT THE START OF EVERY SHIFT. THESE AND OTHER PERIODIC INSPECTIONS ARE THE RESPONSIBILITY OF THE USER.**

### **DAILY PRE-OPERATION CHECK (8 HOURS)**

The user should perform Daily check. Daily check of the safety latch system is very important to prevent expensive property damage, lost production time, serious personal injury and even death.

- Check safety lock audibly and visually while in operation
- Check safety latches for free movement and **full engagement with rack.**
- Check hydraulic connections, and hoses for leakage.
- Check cables connections for bends, cracks, and proper tension.
- Check for frayed cables in both raised and lowered position.
- Check snap rings at all rollers and sheaves.
- Check and tighten anchors, bolts, nut, and screws.
- Check wiring & switches for damage.
- Keep base plate free of dirt, grease, or any other corrosive substances.
- Check floor for stress cracks near anchor bolts.
- Check swing arm restraints.

### **WEEKLY MAINTENANCE (40 HOURS)**

- Check anchor bolts torque to 130 ft-lbs. for the  $\frac{3}{4}$ +anchor bolts. *Do not use impact wrench.*
- Check floor for stress cracks near anchor bolts.
- Check hydraulic oil level.
- Check and tighten bolts and nuts, and screws.
- Check cylinder for free movement.
- Check cable pulleys for free movement and excessive wear.

### **YEARLY MAINTENANCE**

- Grease rub blocks and column surface contacting rub blocks
- Change the hydraulic fluid. Good maintenance procedure makes it mandatory to keep hydraulic fluid clean. No hard fast rules can be established. Operating temperature, type of service, contamination levels, filtration, and chemical composition of fluid should be considered. If operating in a dusty environment, shorter interval may be required.

**Only trained maintenance experts should perform lift service for the following items.**

- Replace hydraulic hoses
- Replace chains and rollers.
- Replace cables and sheaves.
- Replace or rebuild air and hydraulic cylinders as required.
- Replace or rebuild pumps / motors as required.
- Check hydraulic and air cylinder rod and rod end (threads) for deformation or damage.
- Check cylinder mount for looseness and damage.

**Relocating or changing components may cause problems. Each component in the system must be compatible; an undersized or restricted line will cause a drop in pressure. All valve, pump, and hose connections should be sealed and / or capped until just prior to use. Air hoses can be used to clean fittings and other components. However, the air supply must be filtered and dry to prevent contamination. Contamination is the most frequent cause of malfunction or hydraulic equipment.**

## TROUBLE SHOOTING

### **1. Motor does not run:**

- A. Breaker or fuse blown
- B. Faulty wiring connections. Call electrician.
- C. Defective up button. Call electrician for checking.
- D. Defective Capacitor. Call electrician for checking.

### **2. Motor runs but will not raise:**

- A. Oil level too low. Oil level should be just under the vent cap port when the lift is down!!!
- B. Check the clearance in the plunger valve of the lowering handle.
- C. Remove the check valve cover and clean ball and seat.
- D. A piece of trash is under check valve. Push handle down and push the up button at the same time. Hold for 10-15 seconds. This should flush the system.

### **3. Oil blows out breather of power unit:**

- A. Oil reservoir overfilled.
- B. Lift lowered too quickly while under a heavy load.

### **4. Motor hums and will not run:**

- A. Lift overloaded----remove excessive weight from lift.
- B. Bad capacitor-----call electrician.
- C. Low voltage-----call electrician.
- D. Faulty wiring-----call electrician.

### **5. Lift jerks going up and down:**

- A. Air in hydraulic system----raise lift all the way to top and return to floor. Repeat 4-6 times with interval at least 2 min. Ensure NOT to overheat the power unit.

### **6. Oil leaks**

- A. Power unit----if the power unit leaks hydraulic oil around the tank-mounting flange, check the oil level in the tank. The level should be two inches below the flange of the tank. Check with a screwdriver.
- B. Rod end of cylinder----the rod seal of the cylinder is defective. Rebuild or replace the cylinder.
- C. Breather end of the cylinder----the piston seal of the cylinder is defective. Rebuild or replace the cylinder.

### **7. Lift makes excessive noise.**

- A. Carriage of the lift is dry and requires grease. Grease corners of columns.
- B. Cylinder pulley assembly or cable pulley assembly is not moving freely. Check and grease it.
- C. May have excessive wear on pins or cylinder yoke. Check and replace them.
- D. Seals are dry in hydraulic cylinder(s).

## POWER UNIT PRIMING

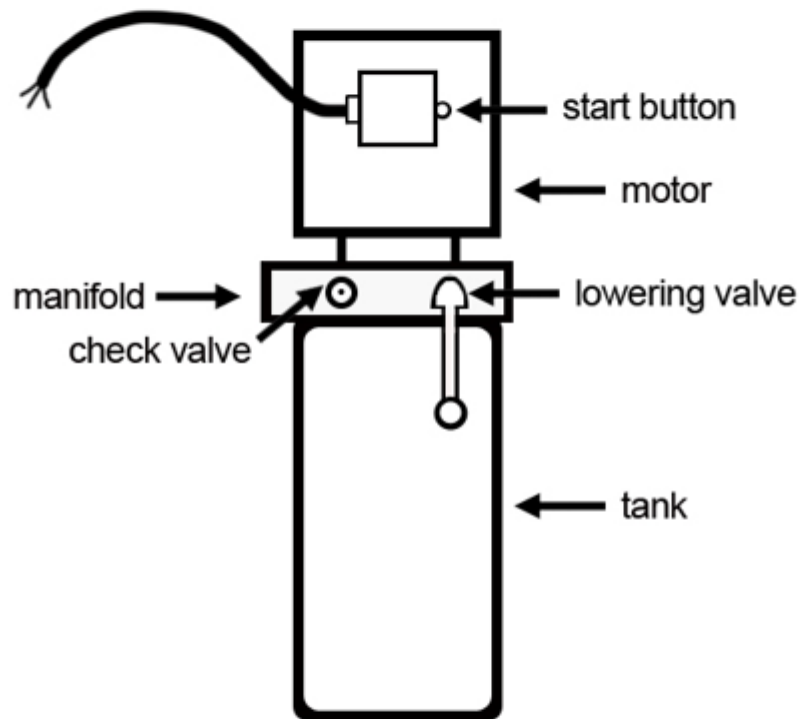
**WARNING!!** Failure to properly relieve pressure in the following steps can cause injury to personnel.

### IMPORTANT

## POWER UNIT PRIMING PROCEDURE

**THE PROBLEM:** Power unit runs fine but will not pump any fluid.

**Step 1** – Locate the check valve. It's the flush plug to the left of the lowering valve.



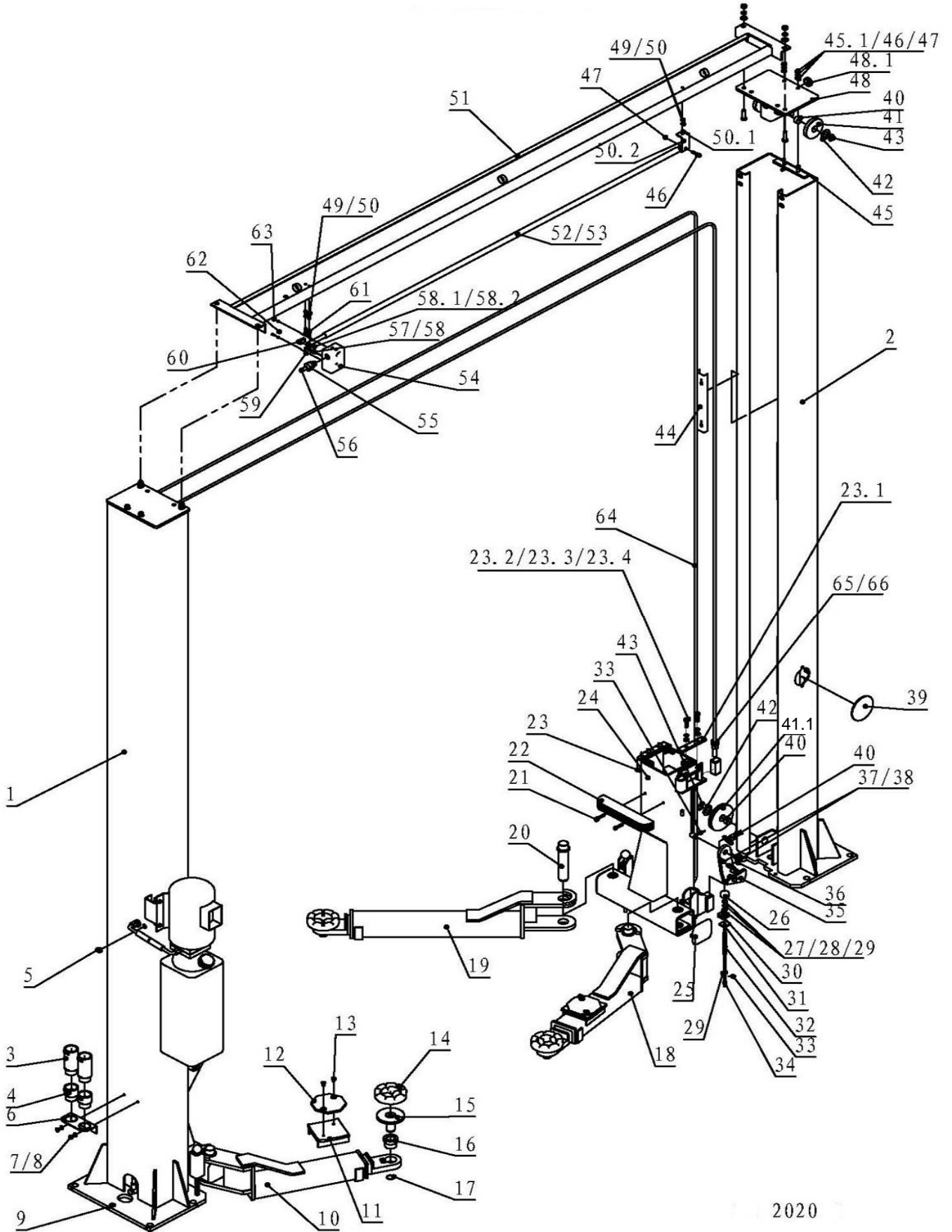
**Step 2** – Using a Hex wrench and shop towel – with shop towel in place to catch fluid – loosen the check valve plug by approximately 2-½ turns and allow fluid to bleed off.

**Step 3** – Push the START button for one second, then release for three seconds. Repeat these steps until unit starts pumping fluid.]

**Step 4** – Tighten the check valve plug.

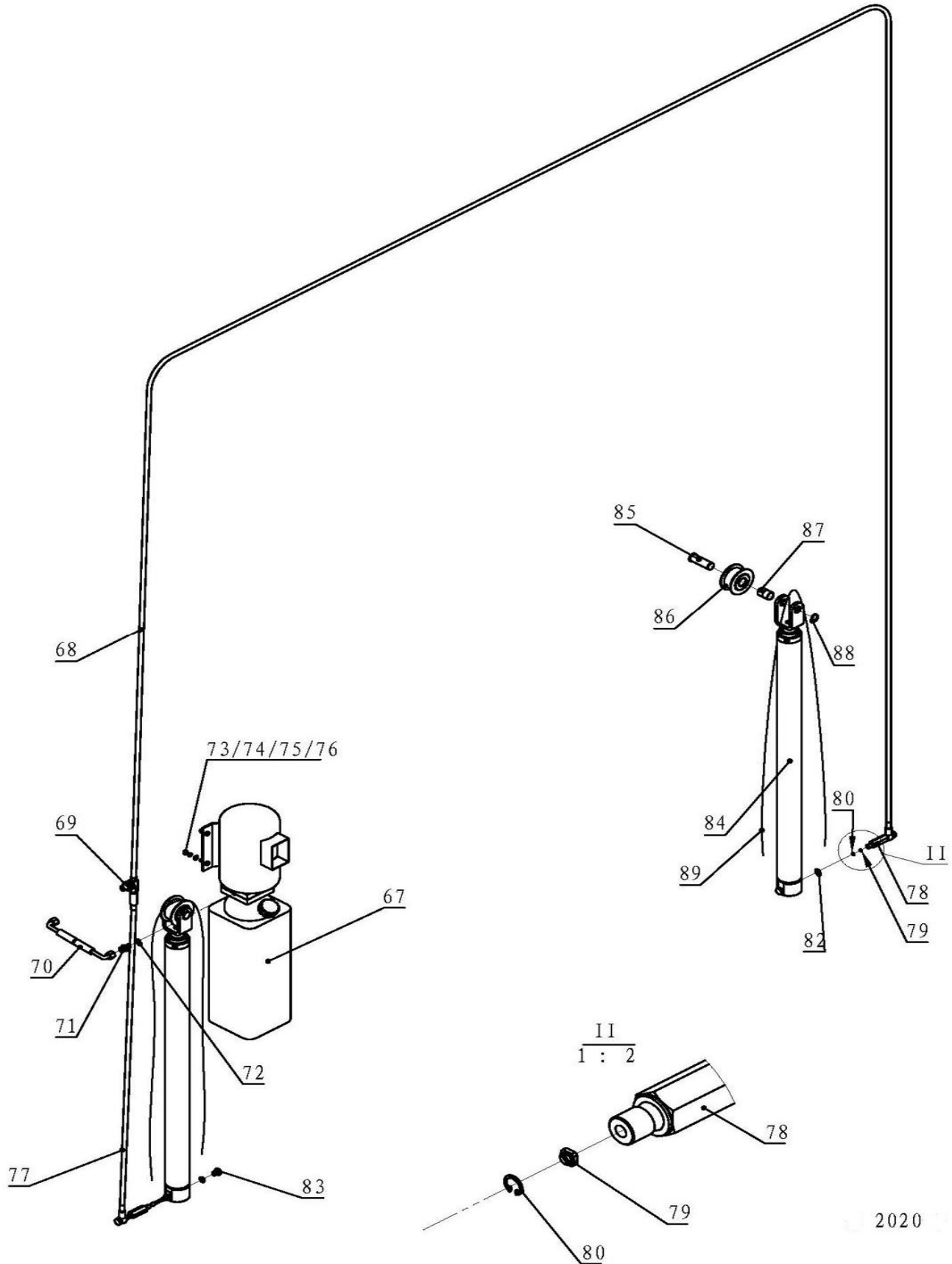
**YOUR POWER UNIT SHOULD NOW BE PRIMED**

# EXPLODED VIEW #1



2020

# EXPLODED VIEW #2



## PARTS LIST

ITEM	Tux P/N	M-Ref P/N	DESCRIPTION	QTY
1	TP9KACX-001	TT-6835-100-00AKY	Mainside Column	1
2	TP9KACX-002	TT-6835-100-00BKY	Offside Column	1
3	TP9KACX-003	TT-6934-400-10-00KY	High Adaptor 4+	4
4	TP9KACX-004	TT-6934-400-09-00KY	Low Adaptor 1-3/8+	4
5	TP9KACX-005	TT-6835-100-03	Cable Nut	1
6	TP9KACX-006	TT-6934-100-14KY	Adaptor Bracket	2
7	TP9KACX-007	GB818-85 M8X10	Bolt, M8x10	4
8	TP9KACX-008	GB95-1985 D8	Flat Washer D8	4
9	TP9KACX-009		Anchor Bolt, 3/4+x 5-1/2+	10
10	TP9KACX-010	TT-6835-400-05K-00BMKY	Front / Short Asy. Arm-PS	1
11	TP9KACX-011	TPF4-400-04-00	Saddle Pad weldment	2
12	TP9KACX-012	TPF4-400-01A	Rubber Pad, Saddle Pad	2
13	TP9KACX-013	GB819-2000 M8X12	Screw, M8x12	4
14	TP9KACX-014	TT-6934-046405772	Rubber Pad, Swivel Pad	4
15	TP9KACX-015	TT-6934-048417190LKY	Swivel Pad weldment	4
16	TP9KACX-016	TT-6934-048417160KY	Swivel Pad, Screw Collar	4
17	TP9KACX-017	GB/T895.2-1986 D28	Circlip, D28	4
18	TP9KACX-018	TT-6835-400-05K-00BMKY	Front / Short Asy. Arm-DS	1
19	TP9KACX-019	TT-6835-400-05-00MKY	Rear / Long Asy, Arm	2
19A	TP9KACX-019A	TT-6934-400-00MDKY	Sym. Arm (TP9KSCX)	4
20	TP9KACX-020	TPF4-400-06-00	Swing Arm Pin	4
21	TP9KACX-021	GB70.1-2000 M8X35	Screw	4
22	TP9KACX-022	DL38G-C116A	Rubber Door Guard	2
23*	TP9KACX-023	TPF4A-200-12	Sliding Rub Block (Solid)	16
23.1*	TP9KACX-023.1	TT-6934-200-01-09-02NX	Rub Block Cover Plate	8
23.2*	TP9KACX-023.2	GB70.1-2000 M10*35	Screw, M10x35mm	16
23.3*	TP9KACX-023.3	GB95-1985 D10	Flat Washer, D10	16
23.4*	TP9KACX-023.4	GB93-1987 D10	Spring Washer, D10	16
24*	TP9KACX-024	TT-6934-200-01-00KYM	TP9KX Carriage (Rev)	2
25	TP9KACX-025	TT-6934-200-02	Plastic Cover, Carriage	4
26	TP9KACX-026	QIUBIN	Pull Knob, Arm Restraint, M10	4
27	TP9KACX-027	GB97.2-85 D10	Washer, D10	8
28	TP9KACX-028	GB93-87 D10	Washer, D10	4
29	TP9KACX-029	GB6170-2000 M10	Nut, M10	4
30	TP9KACX-030	TPF4A-200-11-04	Gear Bar, Arm Restraint	4
31	TP9KACX-031	TPF4-200-11-05	Plate, Arm Restraint	4
32	TP9KACX-032	qys-200-17	Spring	4
33	TP9KACX-033	GB91 d2.5X14	Split Pin, D2.5x14	4
34	TP9KACX-034	TPF4A-200-11-01	Rod, Arm Restraint	4
35	TP9KACX-035	TPF4-300-00	Lock Latch	2

36	TP9KACX-036	GB95-1985 D20	Flat Washer, D20	2
37	TP9KACX-037	GB818-2000 M6x30	Screw, M6x30	2
38	TP9KACX-038	TPF4-300-09	Spring	2
39	TP9KACX-039	TPF4-100-12	Plastic Cover, Column	2
40	TP9KACX-040	SF-1 2515	Combined Bushing	6
41	TP9KACX-041	TPF4A-700-02-02	Cable Pulley - 3.5+O.D.	4
41.1	TP9KACX-041.1	TPF4-100-10-05	Cable Pulley - 4.75+O.D.	2
42	TP9KACX-042	XG4.5A01-04	Spacer	6
43	TP9KACX-043	GB894.1-86 D25	Circlip, D25	6
44	TP9KACX-044	TT-6835-100-02NEW	Hose Cover	10
45	TP9KACX-045	GB5781-86 M10x35	Bolt, M10x35	4
45.1	TP9KACX-045.1	GB6170-86 M10	Nut, M10	4
46	TP9KACX-046	GB93-87 D10	Lock Washer, D10	4
47	TP9KACX-047	GB97.2-85 D10	Washer, D10	4
48	TP9KACX-048	TT-6835-100-13-00	Top Plate	2
48.1	TP9KACX-048.1	TT-6835KY-100-03A	Cable Hex Nut	4
49	TP9KACX-049	GB/6170-2000 M6	Nut, M6	7
50	TP9KACX-050	GB/T 93-1987 D6	Lock Washer, D6	3
50.1	TP9KACX-050.1	GB818-2000 M6X20	Screw, M6x20	1
50.2	TP9KACX-050.2	TT-6643-L104A	Bracket, OH Shut-Off Bar	1
51	TP9KACX-051	TPF4A-700-04-00KY	Overhead Beam	1
52	TP9KACX-052	DL38G-L103A-00	OH Shut-Off Bar	1
53	TP9KACX-053		Foam Rubber	1
54	TP9KACX-054		Switch Box, OH Shut-Off	1
55	TP9KACX-055	PG13.5	Cable Connector	1
56	TP9KACX-056	CABLE	Cable, OH Shut-Off	1
57	TP9KACX-057	GB818-2000 M4X25	Screw, M4x25	2
58	TP9KACX-058	GB6170-2000 M4	Nut, M4	6
58.1	TP9KACX-058.1	GB818-2000 M3X20	Screw, M3x20	2
58.2	TP9KACX-058.2	GB6170-2000 M3	Nut, M3	4
59	TP9KACX-059		Plate	1
60	TP9KACX-060		OH Shut-Off Kill Switch	1
61	TP9KACX-061	GB818-2000 M6X35	Screw, M6x35	2
62	TP9KACX-062	COVER	Cover	1
63	TP9KACX-063	GB818-2000 M4X14	Screw M4x14	2
64	TP9KACX-064	TT-6835-CABLE	Steel Cable, 407.5+	2
65	TP9KACX-065	GB95-85 D16	Flat Washer, D16	4
66	TP9KACX-066	GB6170-86 M16	Nut, M16	8
67	TP9KACX-067	PU-220V-L-H-X	220V Power Unit	1
68	TP9KACX-068	TT-6835-500-05new	Long, OH Hyd. Hose 341.7+	1
69	TP9KACX-069	TT-6835-500-04	Hyd. T-Fitting	1
70	TP9KACX-070	TT-6134-500-02	MS, Short, Hyd. Hose 14.1+	2
71	TP9KACX-071	TT-6934-500-04KY	Pump Hyd. Fitting	1



72	TP9KACX-072	O-RING	O-Ring D14	1
73	TP9KACX-073	GB/6170-2000 M8	Nut, M8	4
74	TP9KACX-074	GB93-87 D8	Lock Washer, D8	4
75	TP9KACX-075	GB95-1985 D8	Flat Washer, D8	4
76	TP9KACX-076	GB5781-2000 M8X25	Bolt, M8x25	4
77	TP9KACX-077	TT-6835-500-01KY	MS, Low Hyd. Hose 56.3+	1
78*	TP9KACX-078	TT-6934-500-02M	9KX Hex Pipe, Restrictor Fitting	2
79*	TP9KACX-079	TT-6934-500-06M	Restrictor Valve Insert	2
80*	TP9KACX-080	GB893.1-2000 D9	Circlip, D9	2
82	TP9KACX-082	M14	Combined Washer, M14	4
83	TP9KACX-083	JB/ZQ4770	Cap Nut, M14	2
84*	TP9KACX-084	TPF4-500-01M	TP9K Cylinder (Rev)	2
85	TP9KACX-085	TPF4-100-14-02	Pin	2
86	TP9KACX-086	TPF4-100-14-01	Chain Roller	2
87	TP9KACX-087	DU-SF 2520	Bushing	4
88	TP9KACX-088	GB894.1-86 D25	Spring Washer, D25	2
89	TP9KACX-089	LH1244 121NODE	Chain	2

## LIMITED WARRANTY

### Structural Warranty:

The following parts and structural components carry a five year warranty:

Columns	Arms	Uprights	Swivel Pins	Legs	Carriages	Overhead Beam
Tracks	Cross Rails	Top Rail Beam				

### Limited One-Year Warranty:

Tuxedo Distributors, LLC offers a limited one-year warranty to the original purchaser of Lifts and Wheel Service equipment in the United States and Canada. Tuxedo will replace, without charge, any part found defective in materials or workmanship under normal use, for a period of one year after purchase. The purchaser is responsible for all shipping charges. This warranty does not apply to equipment that has been improperly installed or altered or that has not been operated or maintained according to specifications.

### Other Limitations:

This warranty does not cover:

1. Parts needed for normal maintenance
2. Wear parts, including but not limited to cables, slider blocks, chains, rubber pads and pulleys
3. Replacement of lift and tire changer cylinders after the first 30 days. A seal kit and installation instructions will be sent for repairs thereafter.
4. On-site labor

Upon receipt, the customer must visually inspect the equipment for any potential freight damage before signing clear on the shipping receipt. Freight damage is not considered a warranty issue and therefore must be noted for any potential recovery with the shipping company.

The customer is required to notify Tuxedo of any missing parts within 72 hours. Timely notification must be received to be covered under warranty.

Tuxedo will replace any defective part under warranty at no charge as soon as such parts become available from the manufacturer. No guarantee is given as to the immediate availability of replacement parts.

Tuxedo reserves the right to make improvements and/or design changes to its lifts without any obligation to previously sold, assembled, or fabricated equipment.

There is no other express warranty on the Tuxedo lifts and this warranty is exclusive of and in lieu of all other warranties, expressed or implied, including all warranties of merchantability and fitness for a particular purpose. To the fullest extent allowed by law, Tuxedo shall not be liable for loss of use, cost of cover, lost profits, inconvenience, lost time, commercial loss or other incidental or consequential damages.

This Limited Warranty is granted to the original purchaser only and is not transferable or assignable.

Some states do not allow exclusion or limitation of consequential damages or how long an implied warranty lasts, so the above limitations and exclusions may not apply. This warranty gives you specific legal rights and you may have other rights, which may vary from state to state.

8320 E Hwy 67, Alvarado, TX 76009  
Ph. 817-558-9337 / Fax 817-558-9740