

# Installation Instructions



AUTO VENT SHADE™

## Bugflector® - Bugflector II® - Carflector® - Chrome Hood Shield™

### Important Safety Information

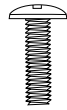


- CAUTION - Before driving, ensure that the hood shield is properly anchored to vehicle.
- Do not use automatic "brush-style" car washes.
- Do not use cleaning solvents of any kind.
- Periodically check all components for tightness.

### Contents **NOTE:** Actual product may vary from illustration.



Hood shield



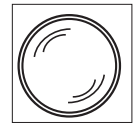
Screw x5



Washer x5



Well Nut x5

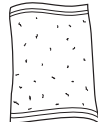


Bump On x4

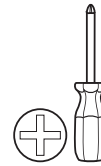
### Tools Required



Car Wash Supplies



Clean Towel



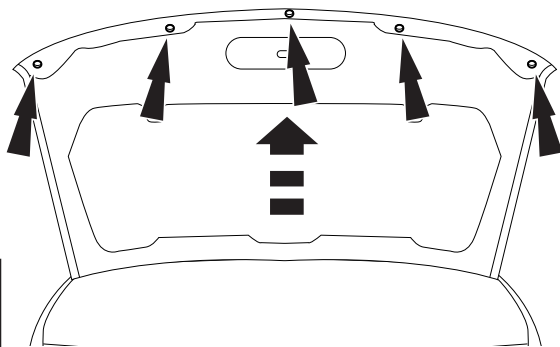
Phillips head screwdriver

### Preparation Before Painting / Installation

- A trial fit is recommended to ensure proper positioning and fit.
- Check fit of parts before painting as we will not accept the return of modified or painted parts.
- Wash your vehicle's hood to remove any debris and/or dirt.
- Dry the hood with a clean towel.

### Installation Steps **NOTE:** Actual application may vary slightly from illustrations.

Open Hood. Locate (5) circular holes on the underside of hood. Clean the area around these with a soft cloth.



1



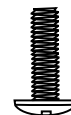
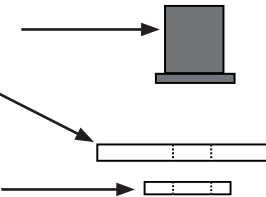
2

Attach fasteners to hoodshield by inserting screw through hood shield, and into well nut. **Partially** thread screw into well nut.

Well nut

Hood shield

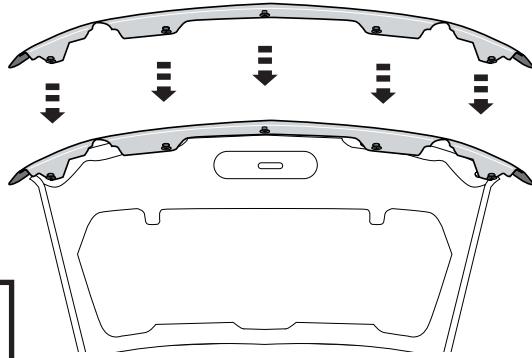
Washer



## Installation Steps

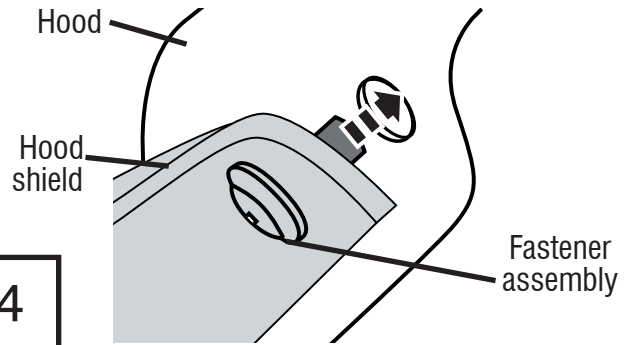
**NOTE:** Actual application may vary slightly from illustrations.

Center part on front edge of hood and align holes.

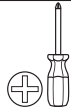


3

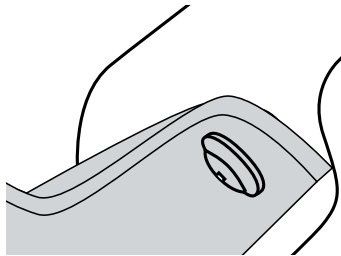
**NOTE:** Observe the alignment from the side view in order to guide the hood shield with its attached fastener into the proper hole in the hood.



4



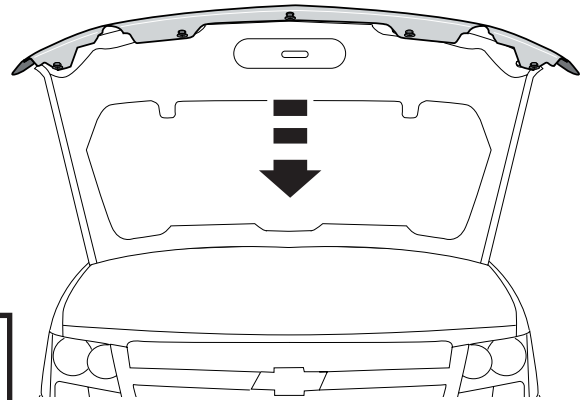
With the fastener assembly inserted into hole in hood, secure hood shield to hood by tightening screw to expand well nut. Repeat for remaining fasteners.



5

**NOTE:** TIGHTEN SNUGLY

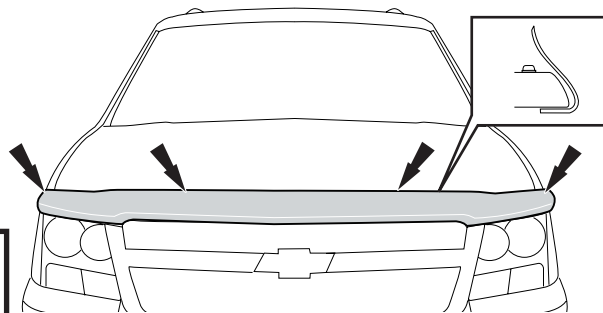
Close Hood.



6



Apply bump ons to surface of hood.



7

## Care and Cleaning

- Wash only with mild soap & dry with a clean cloth.

## Congratulations!

You have purchased one of the many quality Auto Ventshade™ branded products offered by Lund International, Inc. We take the utmost pride in our products and want you to enjoy years of satisfaction from your investment. We have made every effort to ensure that your product is top quality in terms of fit, durability, finish and ease of installation.

