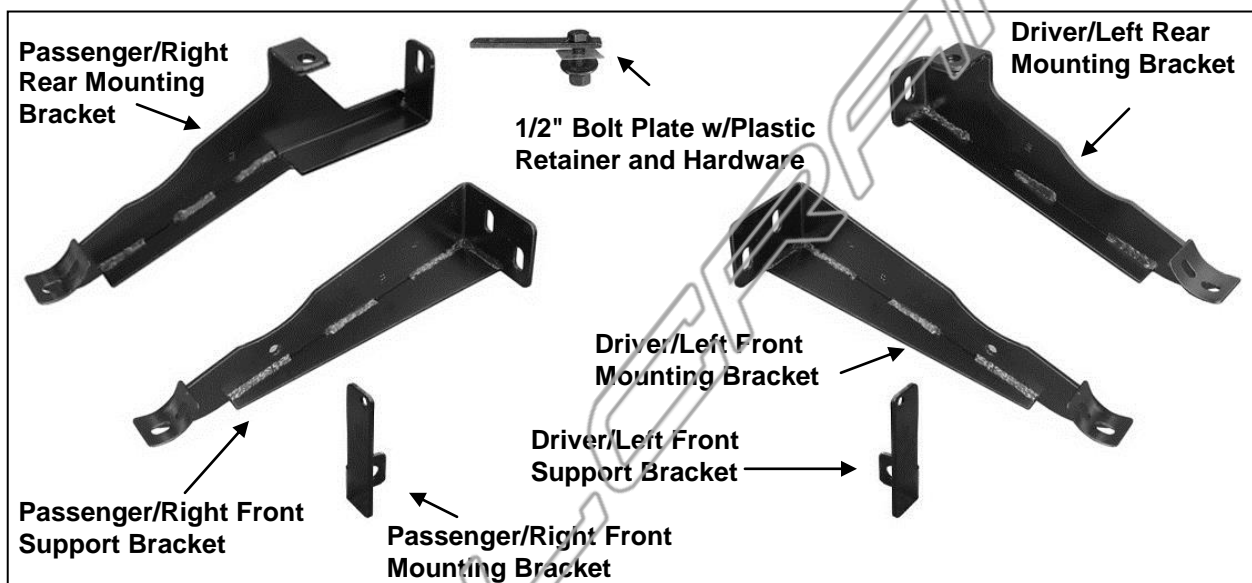


**PARTS LIST:**

1	Driver/Left Sidebar	8	1/2 x 1-3/8" OD x 3/32" Flat Washers
1	Passenger/Right Sidebar	6	1/2" Hex Nuts
1	Driver/Left Front Mounting Bracket	2	12-1.75mm Hex Nuts
1	Passenger/Right Front Mounting Bracket	2	10-1.50mm x 30mm Hex Bolts
1	Driver/Left Rear Mounting Bracket	2	10mm Lock Washers
1	Passenger/Right Rear Mounting Bracket	2	10mm x 26mm OD x 1.5mm Flat Washers
1	Driver/Left Front Support Bracket	2	10mm Hex Nuts
1	Passenger./Right Front Support Bracket	8	8-1.25mm x 25mm Hex Bolts
6	1/2" Plastic Retainers	8	8mm Lock Washers
6	1/2" x 1-3/4" Bolt Plates	8	8mm x 24mm x 2mm Flat Washers
6	1/2" Lock Washers		



**PROCEDURE:**

- 1. REMOVE CONTENTS FROM BOX. VERIFY ALL PARTS ARE PRESENT. READ INSTRUCTIONS CAREFULLY BEFORE STARTING INSTALLATION. CAUTION: WAIT FOR EXHAUST TO COMPLETELY COOL BEFORE STARTING INSTALLATION.**
- Select the passenger side front Mounting Bracket and Support Bracket. Locate the three factory holes in the outside of the frame rail towards the front of the vehicle, (one large round, one oval, and one small round hole). Insert (1) 1/2" x 1-3/4" Bolt Plate into and through the large round hole and out the small round hole, **(Figure 1)**. Thread (1) 1/2" Plastic Retainer onto the threaded end of the Bolt Plate until it is tight against the frame rail, **(Figures 1 & 2)**. The Plastic Retainer is designed to prevent the Bolt Plate from falling back into the frame rail and to aid in mounting the Bracket. Repeat this Step to install the 2nd Bolt Plate into the oval hole.
- Place the passenger side Front Mounting Bracket over the (2) Bolt Plates. Secure the front Mounting Bracket to the Bolt Plates using the included (2) 1/2" Flat Washers, (2) 1/2" Lock Washers and (2) 1/2" Hex Nuts, **(Figure 3)**. Snug but do not tighten at this time.
- Carefully pull the plastic body panel back and remove the factory bolt in the pinch weld located right above the front Mounting Bracket. Insert the Support Bracket between the plastic panel and the pinch weld. Bolt the flat end of the front Support Bracket to the outside of the pinch weld using the factory bolt, **(Figures 4 & 5)**. Leave hardware loose at this time.
- Bolt the bent end of passenger side front Support Bracket to the front of the front Mounting Bracket using the included 10mm x 30mm Hex Bolt, 10mm Lock Washer, 10mm Flat Washer and 10mm Hex Nut, **(Figure 6)**. Do not tighten at this time.

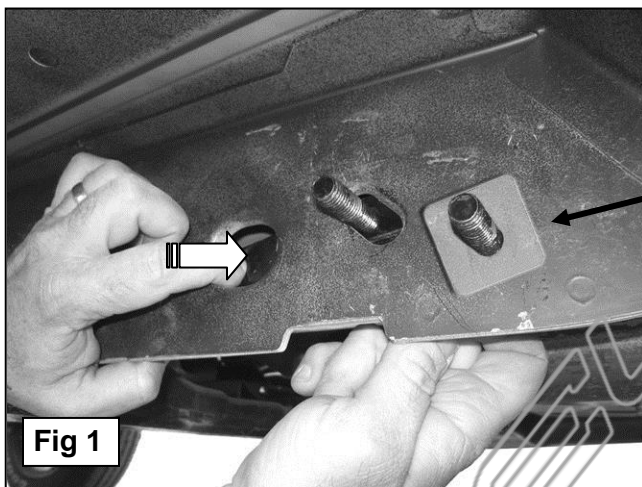
6. Move toward the rear of the vehicle. Verify that exhaust is completely cool before continuing.
7. Insert (1) 1/2" Bolt Plate through the factory oval hole in the bottom of the frame rail and out through the hole in the inner wall of the frame channel, **(Figure 7)**. Thread (1) 1/2" Plastic Retainer onto the threaded end of the Bolt Plate until it is tight against the frame rail as described in Step 2. Select the passenger side rear Mounting Bracket. Hang the Bracket from the Bolt Plate with the included (1) 1/2" Lock Washer, (1) 1/2" Flat Washer and (1) 1/2" Hex Nut. Rotate the Bracket up and over the factory 12mm stud located in the floor panel towards the center of the vehicle. Attach the Bracket to the stud using the included (1) 1/2" Flat Washer and (1) 12mm Hex Nut, **(Figure 7)**. Do not tighten hardware.
8. Carefully position the passenger Sidebar onto the Mounting Brackets. Attach the Sidebar to the Mounting Brackets using the included (4) 8mm x 25mm Hex Bolts, (4) 8mm Lock Washers and (4) 8mm Flat Washers, **(Figure 6)**. Do not tighten hardware at this time.
9. Align Sidebar properly and tighten all hardware.
10. Repeat Steps 2 - 9 for driver Sidebar installation. **NOTE:** Driver side rear Mounting Bracket bolts to the outer wall of the frame channel, **(Figure 8)**.
11. Do periodic inspections to the installation to make sure that all hardware is secure and tight.

**To protect your investment**, wax this product after installing. Regular waxing is recommended to add a protective layer over the finish. Do not use any type of polish or wax that may contain abrasives that could damage the finish.

**For stainless steel:** Aluminum polish may be used to polish small scratches and scuffs on the finish. Mild soap may be used also to clean the Sidebar.

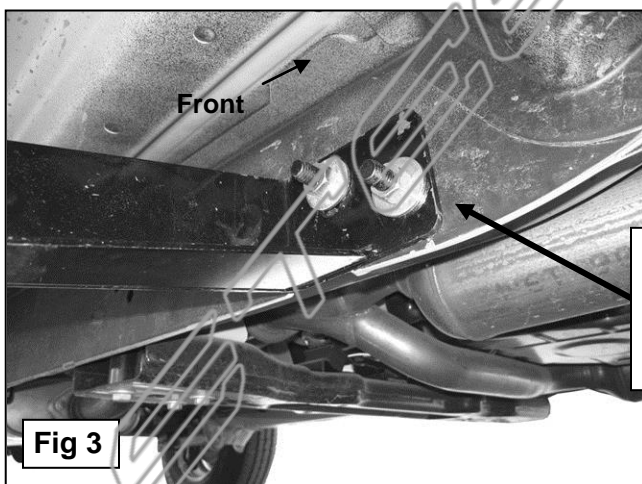
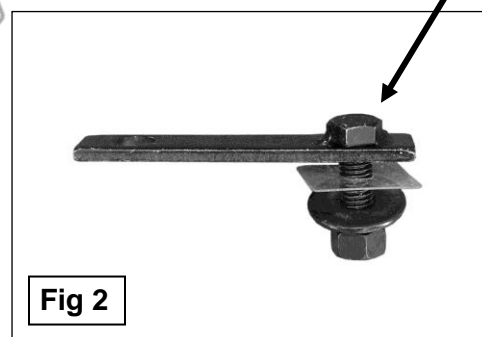
**For gloss black finishes:** Mild soap may be used to clean the Sidebar.

### Passenger Side Installation Pictured



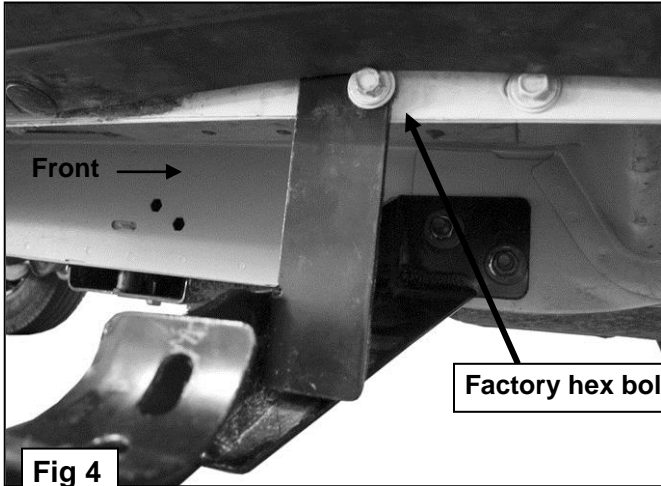
1/2" Bolt Plates  
1/2" Plastic Retainers  
Use for all Bolt Plate  
installations

1/2" Bolt Plate  
1/2" Plastic Retainer  
1/2" Lock Washer  
1/2" Flat Washer  
1/2" Hex Nut



(2) 1/2" Bolt Plates  
(2) 1/2" Plastic Retainers  
(2) 1/2" Lock Washers  
(2) 1/2" Flat Washers  
(2) 1/2" Hex Nuts

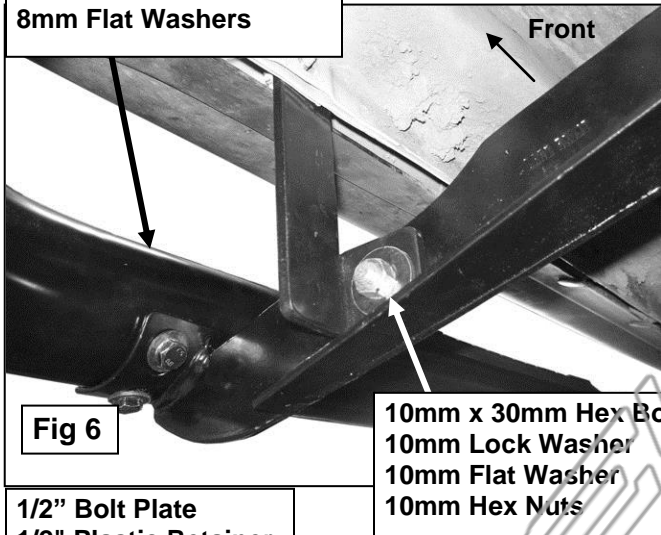
Passenger Side Installation Pictured



- 1/2" Bolt Plate
- 1/2" Plastic Retainer
- 1/2" Lock Washer
- 1/2" Flat Washer
- 1/2" Hex Nut

- (Factory Stud)
- 1/2" Flat Washer
- 12mm Hex Nut

- 8mm x 25mm Hex Bolts
- 8mm Lock Washers
- 8mm Flat Washers



- 1/2" Bolt Plate
- 1/2" Plastic Retainer
- 1/2" Lock Washer
- 1/2" Flat Washer
- 1/2" Hex Nut

