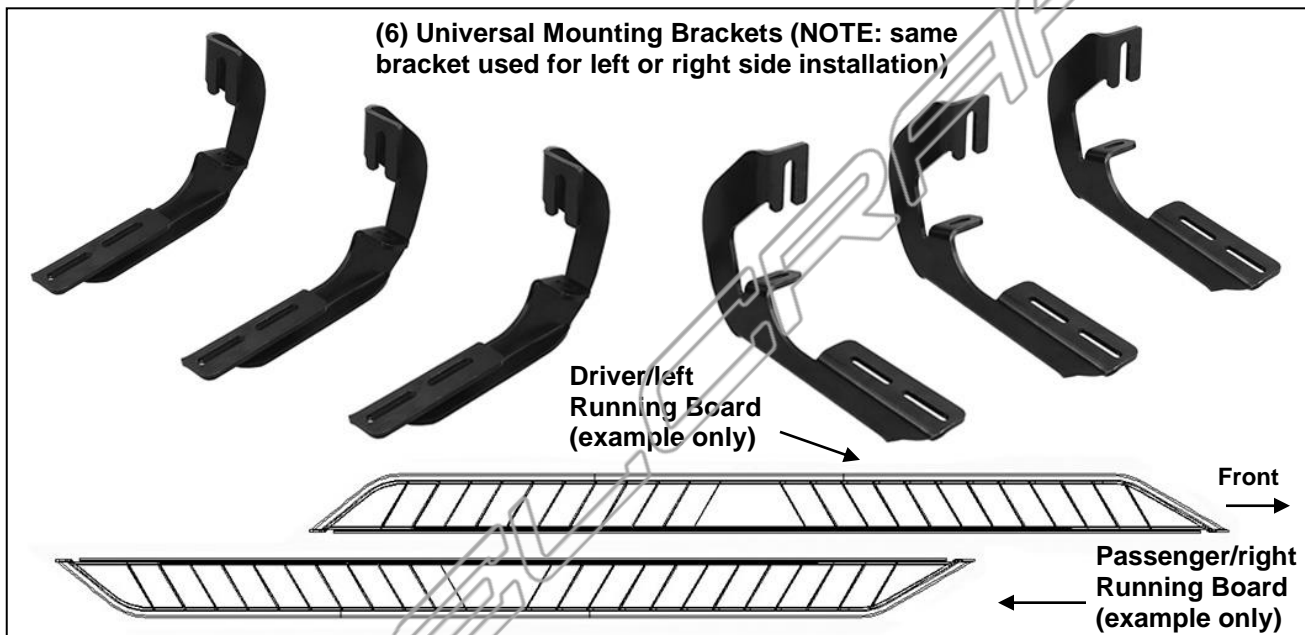


STX300 RUNNING BOARD BRACKET KIT
07-14 1500, 07-15 2500-3500 SILVERADO/SIERRA EXTRA/DOUBLE CAB
01-14 1500, 01-15 2500-3500 SILVERADO/SIERRA CREW CAB
EXCLUDES DIESEL W/DEF

PARTS LIST:

Qty	Description	Qty	Description
6	Universal Left/Right Mounting Brackets	12	6-1.0mm x 20mm T-Bolts
12	8-1.25mm Clip-On Nuts	12	6mm x 22mm OD x 2mm Flat Washers
12	8-1.25mm x 25mm Hex Bolt	12	6mm Lock Washers
12	8mm x 24mm OD x 2mm Flat Washer	12	6mm Hex Nuts
12	8mm Lock Washer		
2	8-1.25mm Threaded Inserts	1	8mm Insert Installation Tool



PROCEDURE:

REMOVE CONTENTS FROM BOX. VERIFY ALL PARTS ARE PRESENT. READ INSTRUCTIONS CAREFULLY BEFORE STARTING THE INSTALLATION. DRILLING AND SPECIAL TOOLS MAY BE REQUIRED. ASSISTANCE IS RECOMMENDED.

1. Start the installation under the passenger side of the vehicle. Locate the factory mounting tabs on the pinch weld along the bottom edge of the body, **(Figures 1 & 2)**. Directly above each tab is a top mounting location on the side of the inner body panel, **(Figures 3 & 5)**. If necessary, hold a Mounting Bracket up in place to help determine the correct mounting holes to use along the inner body panel.
2. Front Bracket installation:
 - a. Locate the mounting tab closest to the front wheel opening, **(Figure 3)**. Slide an 8mm Clip Nut over the tab on the pinch weld with the nut to the top, **(Figure 4)**. **NOTE:** Clip Nut is not required if mounting tab is factory equipped with an 8mm weld nut.
 - b. On models with a large hole and small hole in the side of the inner body panel: Remove the rubber plug from the large hole, **(Figure 3)**. Select (1) 8mm Clip Nut. Slide the Clip Nut into the larger hole and line it up with the smaller hole next to it, **(Figure 4)**.
 - c. On models with a factory threaded hole in the inner body panel: Thread an 8mm Hex Bolt into the weld nut to clean out any paint or undercoating from the threads, **(Figure 5)**. Use a little oil if necessary.
 - d. Select (1) Mounting Bracket. Bolt the Bracket to the front location with (2) 8mm Hex Bolts, (2) 8mm Lock Washers and (2) 8mm Flat Washers, **(Figure 6)**. Do not tighten hardware at this time.
3. Center Bracket Installation: Select the mounting tab 23-3/4" back, (all Extra-Double Cabs, 07-15 Crew Cabs), or 35-1/2," (01-06, 07 "Classic" Crew Cab), from the front mounting location described in **Step 2**, **(see Figure 1)**. **IMPORTANT:** On some models, center Bracket may not clear center body mount. Use

STX300 RUNNING BOARD BRACKET KIT
07-14 1500, 07-15 2500-3500 SILVERADO/SIERRA EXTRA/DOUBLE CAB
01-14 1500, 01-15 2500-3500 SILVERADO/SIERRA CREW CAB
EXCLUDES DIESEL W/DEF

either the mounting location in front of or behind the center body mount as necessary for Bracket clearance, **(Figure 13)**.

- a. On models with a rubber plug and small hole in the side of body panel, repeat **Step 2b**.
 - b. On models with a factory threaded hole in the inner body panel, repeat **Step 2c**.
 - c. Repeat **Step 2d** to attach a Bracket to the center mounting location, **(Figure 13)**.
4. Rear Bracket Installation with factory hole in tab and body panel as previously described:
- a. Repeat **Steps 2 & 3** to bolt a Bracket to the last mounting location at the end of the cab, **(Figures 1 & 14)**. Continue on to **Step 5**.
 - b. On models without factory mounting holes in tab or body panel for rear Bracket, see “Special Instructions” below.

SPECIAL INSTRUCTIONS for 01-06, 07 “Classic” Crew Cab models without factory holes in body panel and/or pinch weld tab only—drilling is required: IMPORTANT! Any cutting or drilling tool may break or shatter. Government regulations require safety glasses & equipment at all times when cutting or drilling.

Once the front and center Brackets have been installed, temporarily set the passenger side Running Board on top of the (2) Brackets.

- a) Attach the Running Board to the front and center Brackets but do not fully tighten the hardware, **(Figures 12—14)**. Level and align the Running Board to the side of the vehicle. Use a stand to support the Running Board if necessary.
- b) Hold the rear Bracket up in position against the bottom of the blank tab, (no hole), on the pinch weld and against the inner body panel. **NOTE:** Use a clamp to temporarily hold the Bracket in position, **(Figure 7)**. With the Bracket level to the Running Board and tight against the body panel, mark the Bracket location onto the tab and body panel, **(Figure 8A)**. Remove the Bracket and Running Board.
- c) Drill a 3/8” to 7/16” hole through the tab on the pinch weld, **(Figure 8B)**. Slide an 8mm Clip Nut over the tab, **(Figure 4)**.
- d) Attach (1) Bracket to the tab and Clip Nut on pinch weld only with (1) 8mm Hex Bolt, (1) 8mm Lock Washer and (1) 8mm Flat Washer.

OPTIONAL BUT RECOMMENDED for 01-06, 07 “Classic” Crew Cab models only:

Drill a 7/16” hole (if no factory hole exists) in the inner body panel at the marked location for the top of the Mounting Bracket, **(Figure 8A & 8B)**. **IMPORTANT:** Due to limited clearance between the inner body panel and the frame, a 90-degree drill adapter is required. A special “short” drill bit may also be necessary.

Assemble the metal Insert Tool as pictured in **Figure 9**. Push the Insert and Tool assembly into the drilled hole. **NOTE:** If Insert fits too tight, tap it into place with a small hammer.

Firmly hold the handle on the Tool and tighten the Hex Bolt in the Insert until it is fully locked in place, **(Figure 10A)**. **NOTE:** Do not over tighten the Insert or a pull out may occur. Once the Insert is fully compressed, remove the Hex Bolt and Tool from the Insert. Repeat **Step 3, (Figure 11)**, to bolt a Bracket in the rear location.

Repeat this Step to install the Insert for the driver side rear Mounting Bracket, **(Figure 13B)**. Continue to **Step 5**.

5. Once all (3) Brackets have been fully installed, select the passenger side Running Board. **NOTE:** Angled end of Running Board is the front, **(see Page 1)**. Locate the two channels in the bottom of the Running Board. (3) 6mm T-Bolts are required for each channel. Slide T-Bolts into each channel, **(Figure 12)**.
6. Hold the Running Board up in approximate position and slide the T-Bolts along the channel to line up with the (3) Mounting Brackets. Tilt the Board up at a slight angle and push back against the vehicle until the T-Bolts fit into the slots in the Brackets.
7. Secure the Running Board to the Brackets with (6) 6mm Flat Washers, (6) 6mm Lock Washers and (6) 6mm Hex Nuts, **(Figures 13 & 14)**. Do not tighten hardware at this time. **NOTE:** The Running Board is

STX300 RUNNING BOARD BRACKET KIT
07-14 1500, 07-15 2500-3500 SILVERADO/SIERRA EXTRA/DOUBLE CAB
01-14 1500, 01-15 2500-3500 SILVERADO/SIERRA CREW CAB
EXCLUDES DIESEL W/DEF

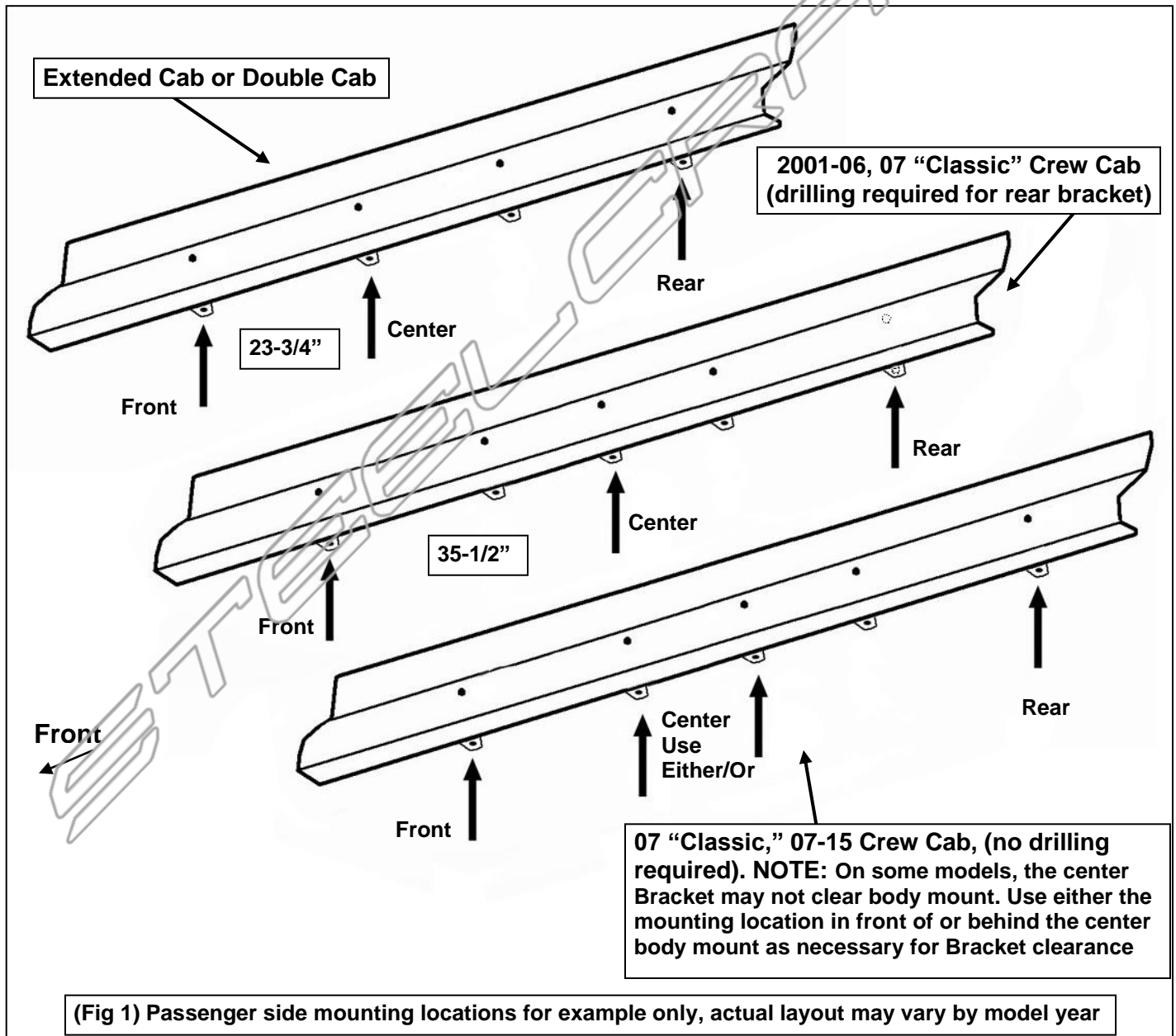
designed to fit close to the vehicle. It may be necessary to loosen the Bracket hardware and tilt the Brackets downward to insert the Running Board between the Brackets and the body.

8. Level and adjust the Running Board and tighten all hardware.
9. Repeat **Steps 1—8** for driver side Running Board installation.
10. Do periodic inspections to the installation to make sure that all hardware is secure and tight.

To protect your investment, wax this product after installing. Regular waxing is recommended to add a protective layer over the finish. Do not use any type of polish or wax that may contain abrasives that could damage the finish.

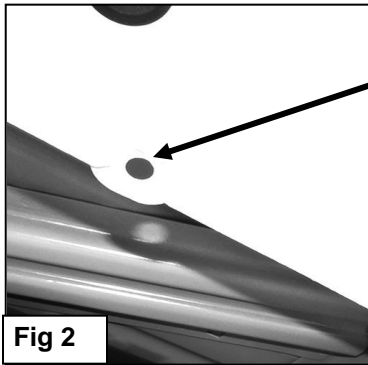
For stainless steel: Aluminum polish may be used to polish small scratches and scuffs on the finish. Mild soap may be used also to clean the Running Board.

For gloss black finishes: Mild soap may be used to clean the Running Board.

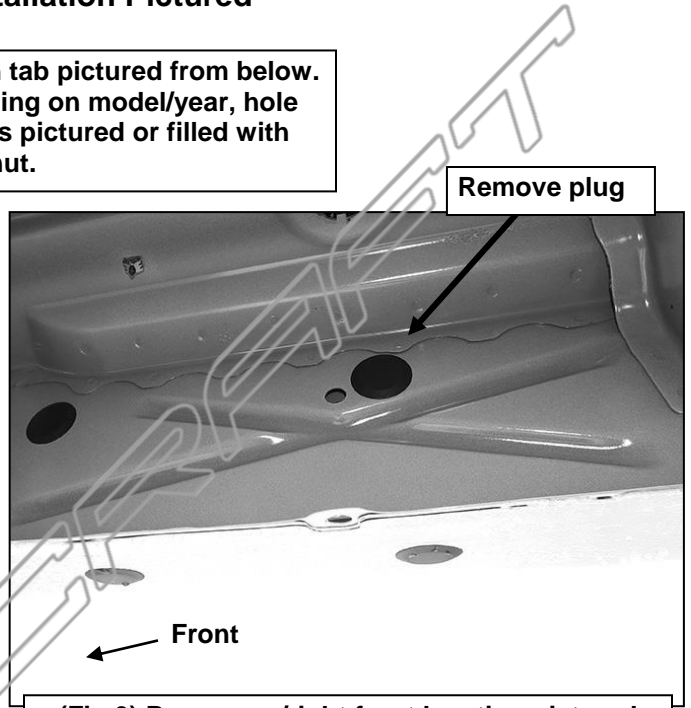


STX300 RUNNING BOARD BRACKET KIT
07-14 1500, 07-15 2500-3500 SILVERADO/SIERRA EXTRA/DOUBLE CAB
01-14 1500, 01-15 2500-3500 SILVERADO/SIERRA CREW CAB
EXCLUDES DIESEL W/DEF

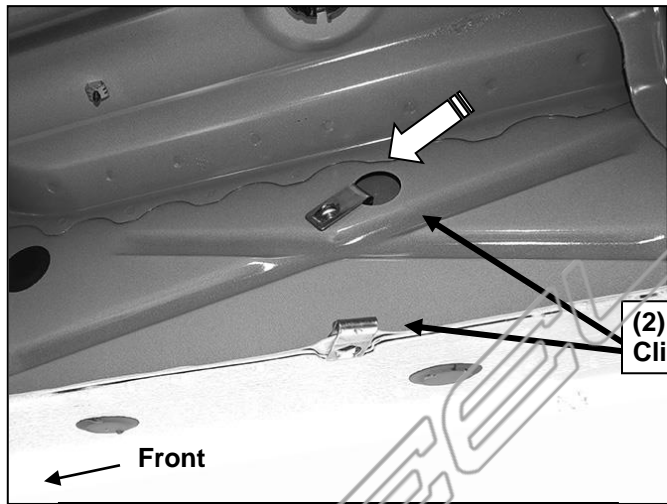
Passenger Side Installation Pictured



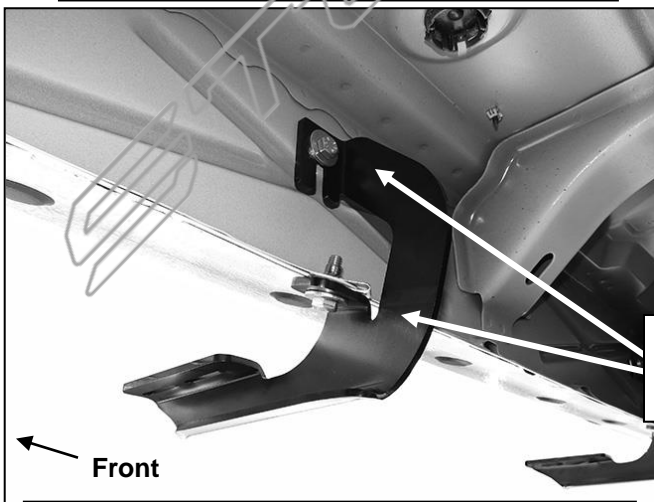
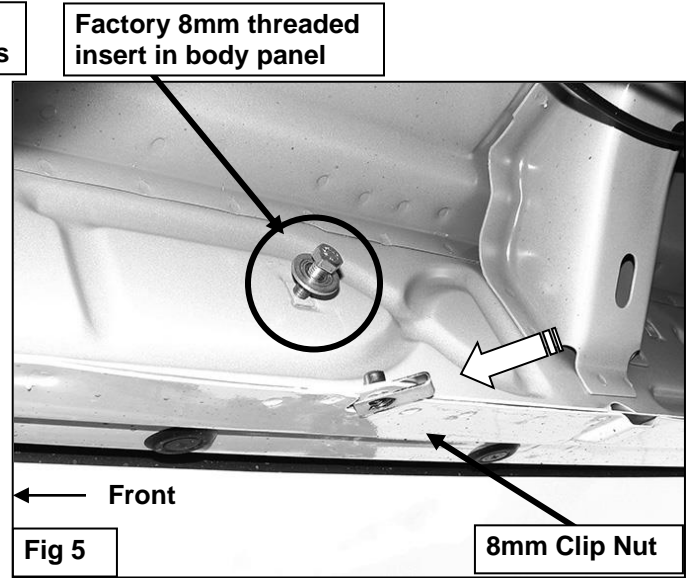
Factory hole in tab pictured from below.
 NOTE: Depending on model/year, hole may be open as pictured or filled with an 8mm weld nut.



(Fig 3) Passenger/right front location pictured



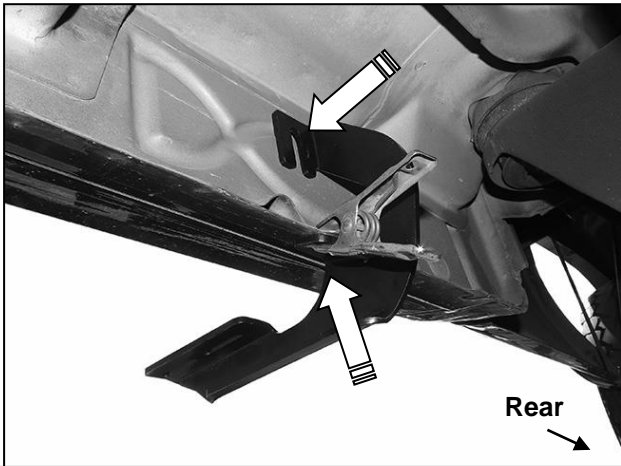
(Fig 4) Slide 8mm Clip Nut into large hole. Line up threaded nut over small hole



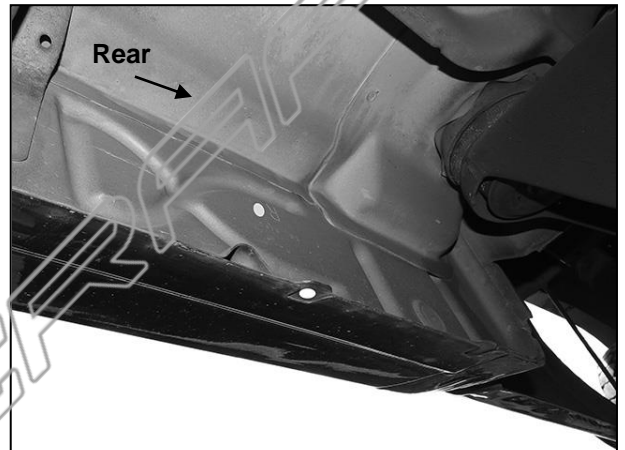
(Fig 6) Passenger/right front Bracket pictured

STX300 RUNNING BOARD BRACKET KIT
07-14 1500, 07-15 2500-3500 SILVERADO/SIERRA EXTRA/DOUBLE CAB
01-14 1500, 01-15 2500-3500 SILVERADO/SIERRA CREW CAB
EXCLUDES DIESEL W/DEF

Passenger Side 2001-2006, 2007 "Classic" Rear Bracket Installation Pictured



(Fig 7) 01-07 Crew Cab Passenger/right rear pictured.
NOTE: No mounting holes for rear Bracket.
Hold Bracket up in position and mark hole location
AFTER Running Board has been installed and
adjusted on front and center Brackets, (Pictured
without Running Board)



(Fig 8A) Drill (2) 7/16" holes in marked locations

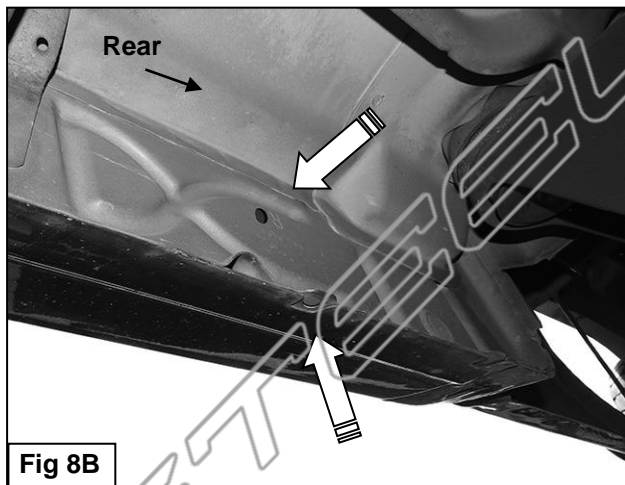
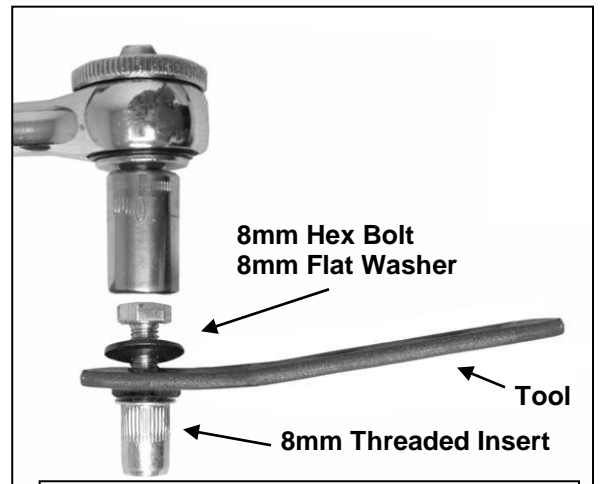


Fig 8B



(Fig 9) Assemble Insert Tool as pictured

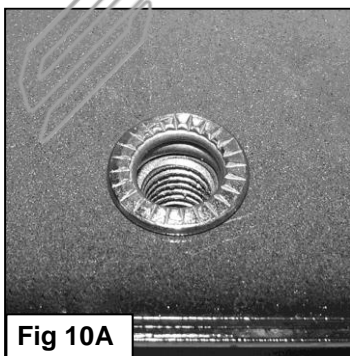
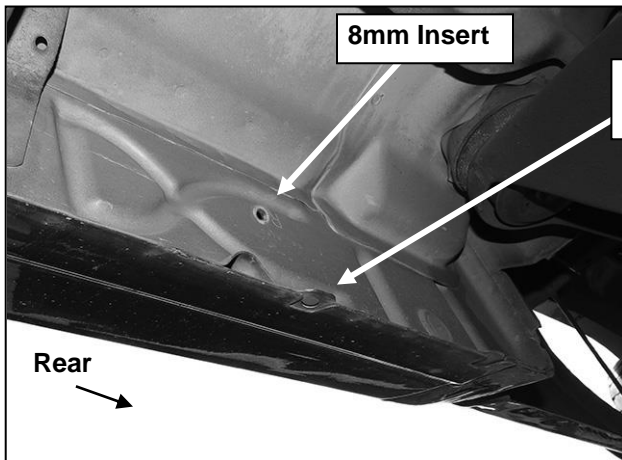


Fig 10A

**Push insert into drilled hole until
flush against sheet metal. Tighten
Hex Bolt until Insert is fully
collapsed. Remove Hex Bolt and Tool**

STX300 RUNNING BOARD BRACKET KIT
 07-14 1500, 07-15 2500-3500 SILVERADO/SIERRA EXTRA/DOUBLE CAB
 01-14 1500, 01-15 2500-3500 SILVERADO/SIERRA CREW CAB
EXCLUDES DIESEL W/DEF

Passenger Side 2001-2006, 2007 "Classic" Rear Bracket Installation Pictured

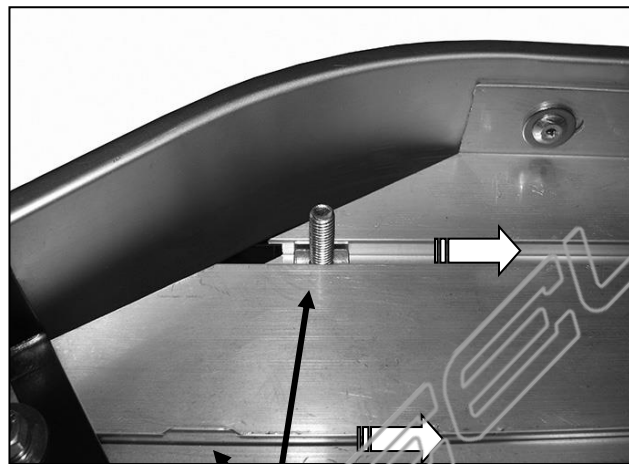


8mm Insert

Slide 8mm Clip Nut over mounting tab

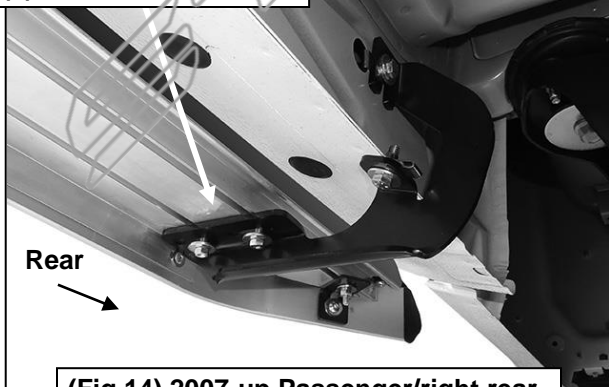
Rear

(Fig 10B) 8mm Threaded Insert fully installed

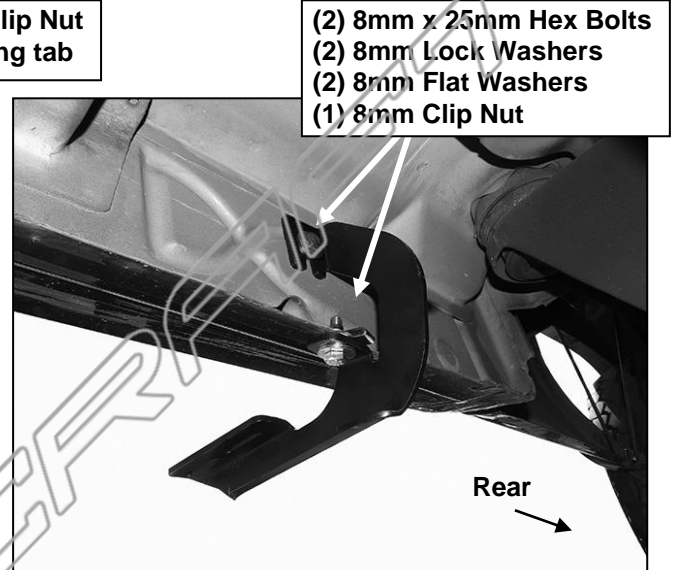


(Fig 12) Slide (3) T-Bolts into each channel

- (2) 6mm T-Bolts**
- (2) 6mm Lock Washers**
- (2) 6mm Flat Washers**



(Fig 14) 2007-up Passenger/right rear

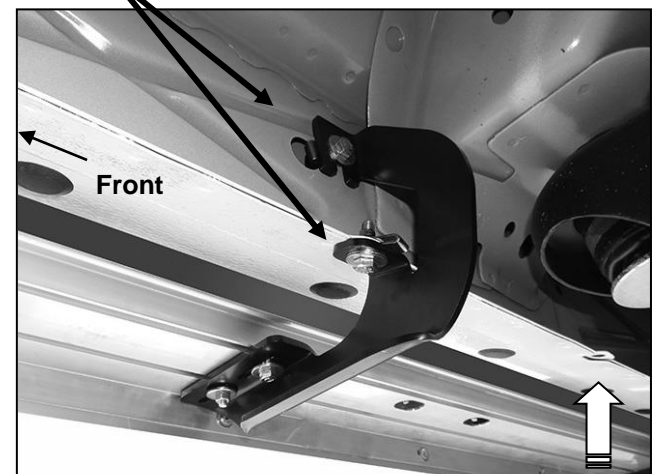


- (2) 8mm x 25mm Hex Bolts**
- (2) 8mm Lock Washers**
- (2) 8mm Flat Washers**
- (1) 8mm Clip Nut**

Rear

(Fig 11) Drill (2) 7/16" holes in marked locations

- (2) 8mm x 25mm Hex Bolts**
- (2) 8mm Lock Washers**
- (2) 8mm Flat Washers**



Front

(Fig 13) Passenger/right center pictured. NOTE: On some models, center Bracket may not clear center body mount. Use either the mounting location in front of or behind the center body mount as necessary for Bracket clearance, (also see Figure 1 for additional info)