



INSTALLATION INSTRUCTIONS

RUNNING BOARD MOUNT KIT

APPLICATION:

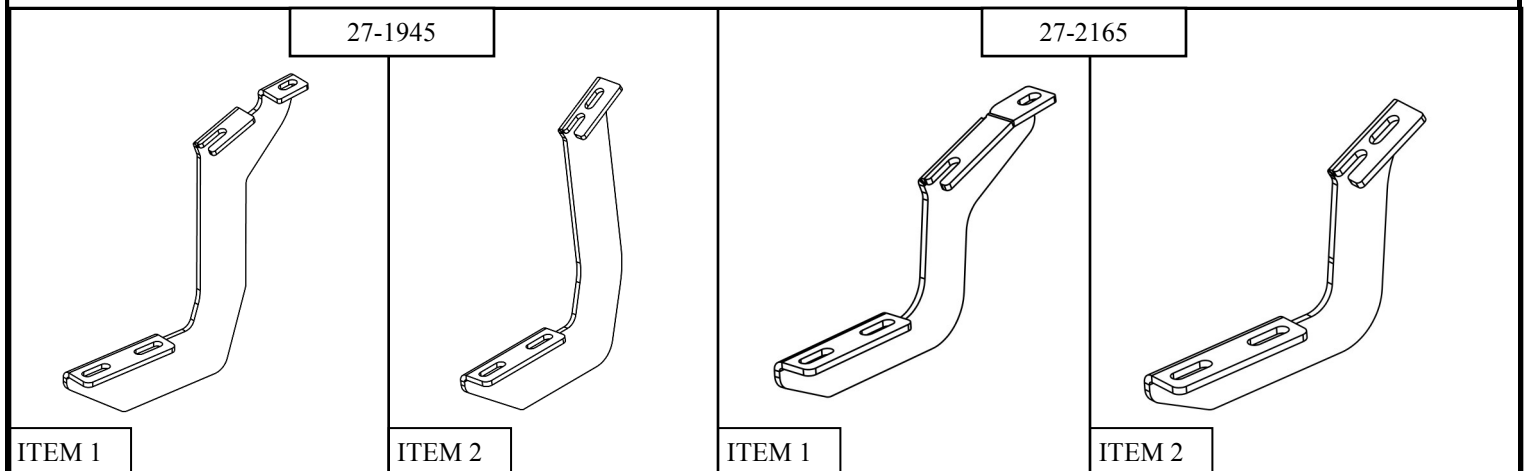
- 2010-2013 Toyota 4Runner SR5
- 2014-2018 Toyota 4Runner SR5 & TRD (Excl. Trail Edition)
- 2010-2017 Toyota 4Runner Trail
- 2010-2018 Toyota 4Runner Limited (Excl. Trail Edition)

PART NUMBER:

- 27-1945, 27-2165

CONTENT			
ITEM	QUANTITY	DESCRIPTION	TOOLS NEEDED
1	2	FRONT MOUNTING BRACKETS	13MM SOCKET
2	4	REAR/CENTER MOUNTING BRACKETS	13MM WRENCH
3	12	M8 HEX HEAD BOLT	RATCHET
4	12	M8 FLAT WASHERS	TORQUE WRENCH
5	12	M8 LOCK WASHERS	
6	12	M8 SQUARE HEAD BOLTS	
7	12	M8 FLAT WASHERS	
8	12	M8 NYLOCK NUTS	

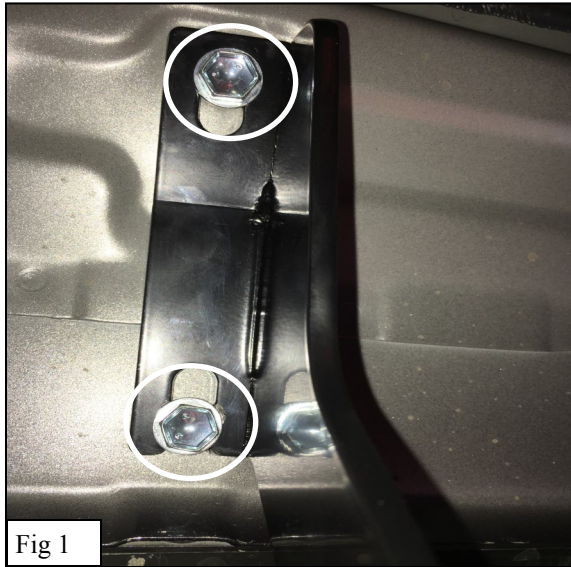
ANTI-SEIZE LUBRICANT MUST BE USED ON ALL STAINLESS STEEL FASTENERS TO PREVENT THREAD DAMAGE AND GALLING



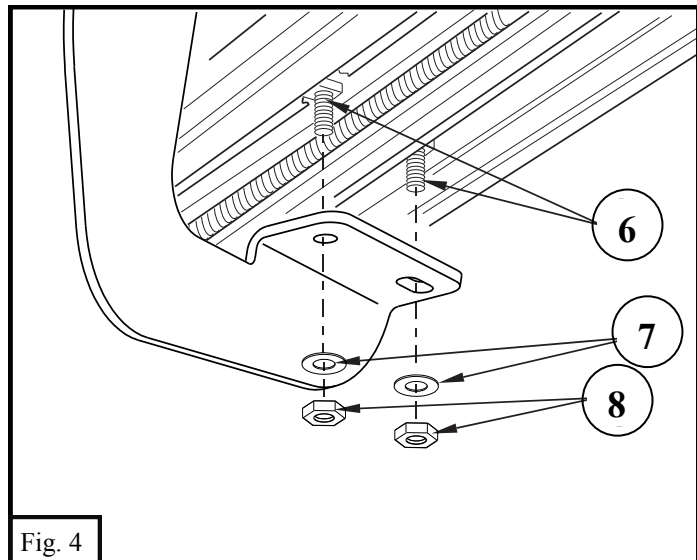
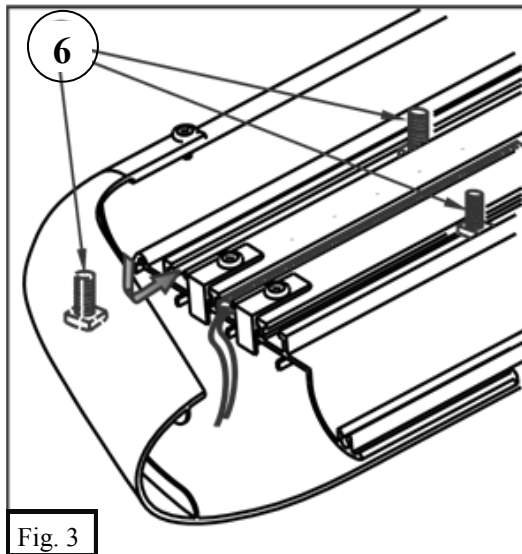
PROCEDURE

1. Remove contents from box, verify if all parts listed are present and free from damage.
Carefully read and understand all instructions before attempting installation.
Failure to identify damage before installation could lead to a rejection of any claim.

- Starting at the front passenger side, remove the factory bolts shown in Figure 1 and loosely install the Front Mounting Bracket (1) using two M8 hex head bolts (3), two M8 lock washers (5), and two M8 flat washers (4). See **Figure 1**.
- Move to the center of the vehicle and loosely install the Center/Rear Mounting Bracket (2) using the same hardware as listed in **Step 2**. Move to the rear of the vehicle and repeat. See **Figure 2**.



- Attach the running board to the installed mounting brackets by sliding three M8 square head bolts (6) into each of the outer slots in the bottom of the running board. Align the bolts with the corresponding holes in the mounting brackets and attach using six M8 flat washers (4), and six M8 nylon lock nuts (8). Do not fully tighten at this time. See **Figures 3 & 4**.
- Adjust running boards as needed and tighten all hardware at this time. Tighten all M8 hardware to 15-18 ft-lbs.
- Repeat **Steps 2-5** for drivers side of the vehicle.



INSTALLATION COMPLETE



Installation complete

WESTIN

Westin Automotive Products, Inc.
320 W. Covina Blvd
San Dimas, Ca. 91773

P.N.: 75-0001-RevC

ECO #: W18-0015

3

Thank you for choosing Westin products
for additional installation assistance please call
Customer Service (800) 793-7846
www.westinautomotive.com

DATE: 07/26/18



WARNING



Failure to follow these instructions could lead to death, personal injury, and / or property damage.

FASTENERS:

All Westin supplied fasteners must be utilized and installed in accordance with the installation instructions and apply torque to the specifications as defined. **DOUBLE CHECK ALL FASTENERS BEFORE INITIAL USE, AND PERIODICALLY IN THE FUTURE TO ENSURE PROPER FUNCTION AND SAFETY.**

DRILLING:

Most Westin products do not require drilling for installation. If drilling is defined as required, use caution when drilling a vehicle. **FAILURE TO REVIEW AN AREA TO BE DRILLED MAY RESULT IN PERSONAL INJURY AND/OR INJURY TO OTHERS AS WELL AS VEHICLE DAMAGE.**

EYE PROTECTION:

ALWAYS WEAR SAFETY GLASSES OR GOGGLES DURING THE INSTALLATION PROCESS TO AVOID PERSONAL INJURY.

MAXIMUM TOWING/CARRYING CAPACITY:

The Westin Receiver Hitches will have a visible tow rating label affixed directly on the product. User should never exceed the vehicle manufacturers maximum tow and weight rating regardless of the capacity of the hitch. **FAILURE TO FOLLOW THESE GUIDELINES WILL VOID THE WESTIN WARRANTY AND MAY RESULT IN PERSONAL INJURY AND/OR INJURY TO OTHERS AS WELL AS VEHICLE DAMAGE.**



Westin Automotive Products, Inc.
320 W. Covina Blvd
San Dimas, Ca. 91773