
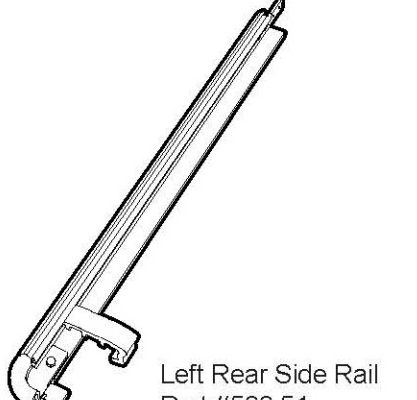
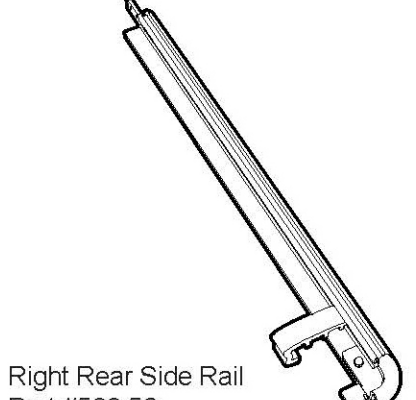

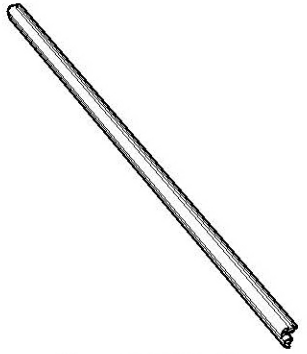
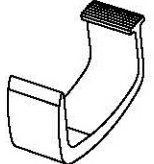
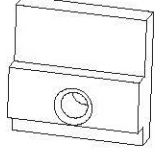
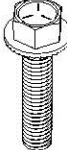
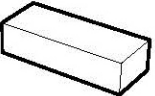
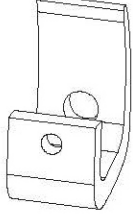


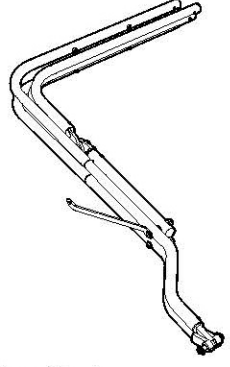
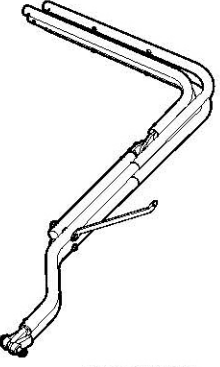
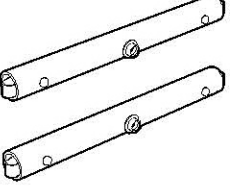
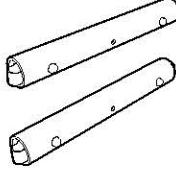

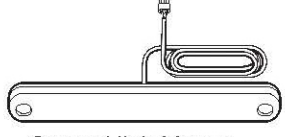
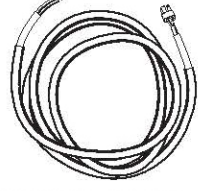

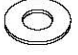


 <p>Left Front Side Rail Part #606.57 Qty. 1</p>	 <p>Right Front Side Rail Part #606.58 Qty. 1</p>	 <p>Left Rear Side Rail Part #599.51 Qty. 1</p>	 <p>Right Rear Side Rail Part #599.52 Qty. 1</p>
---	---	--	---

 <p>Front Rail 64.75" Part #584.94 Qty. 1</p>	 <p>Rear Rail 62.5" Part #584.95 Qty. 1</p>	 <p>Lower Clamp Part #579.23 Qty. 4</p>	 <p>Track Block Part #602.02 Qty. 4</p>	 <p>Hex Head Bolt Part #581.75 Qty. 4</p>	 <p>Rubber Pad Part #720035 Qty. 8</p>
		 <p>Lower Clamp Part #582.07 Qty. 4</p>	 <p>Set Screw Part #573.17 Qty. 4</p>	 <p>5/16-18 Socket Cap Screw Part #581.76 Qty. 4</p>	

 <p>Bow Stack - Driver Side Part #601.83 Qty.1</p>	 <p>Bow Stack - Passenger Side Part #601.82 Qty.1</p>	 <p>Bow Coupler #1 & #4 Bows Part #573.77 Qty. 2</p>	 <p>Bow Coupler #2 & #3 Bows Part #573.79 Qty. 2</p>	 <p>Wire Tap Part #577.58 Qty. 2</p>
---	--	---	---	---

 <p>Center High-Mount Stop Light (CHMSL) Qty. 1</p>	 <p>29' Wire Harness Qty. 1</p>	 <p>#10-32 Screw Qty. 2</p>	 <p>Flat Washer Qty. 2</p>	 <p>#10-32 Nut Qty. 2</p>	 <p>Fabric Top Right Side Curtain (removed) Left Side Curtain Rear Window</p>
<p>Parts Kit #576.71</p>					