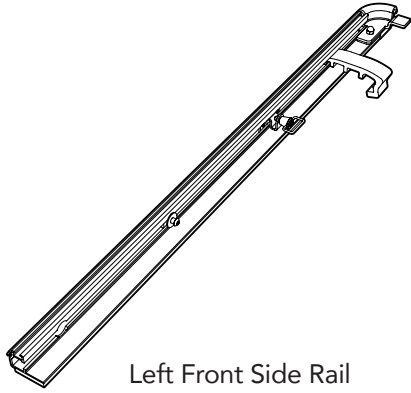
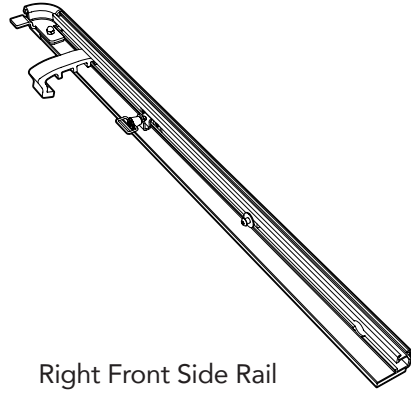


Parts List:

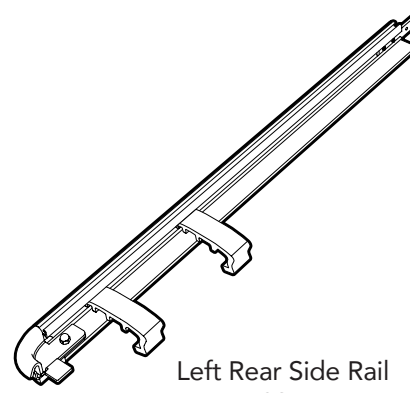
Side Rails



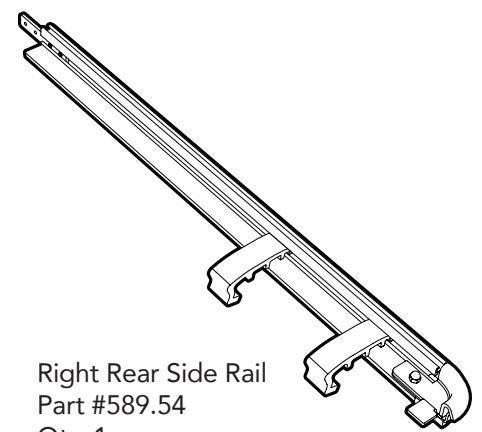
Left Front Side Rail
Part #589.91
Qty. 1



Right Front Side Rail
Part #589.92
Qty. 1

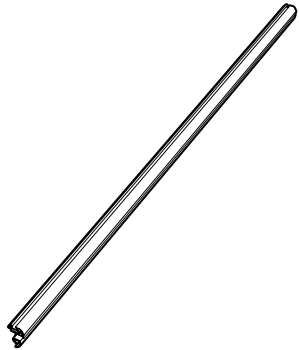


Left Rear Side Rail
Part #589.57
Qty. 1

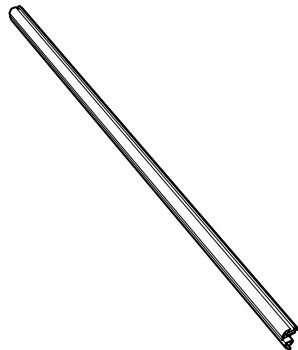


Right Rear Side Rail
Part #589.54
Qty. 1

Hardware, Front and Rear Rails



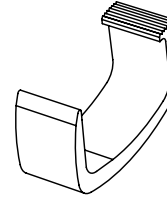
Front Rail
Part #589.59
Qty. 1



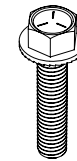
Rear Rail
Part #589.58
Qty. 1



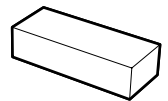
Set Screw
Part #573.17
Qty. 4



Lower Clamp
Part #579.23
Qty. 6

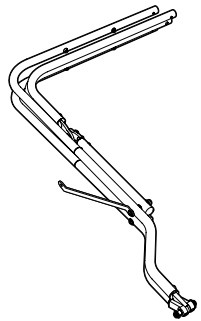


Hex Head Bolt
Part #578.39
Qty. 6

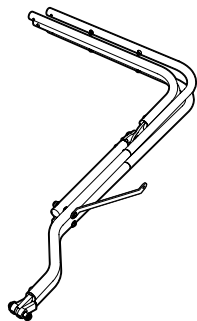


Rubber Pad
Part #720035
Qty. 12

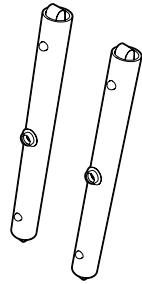
Bow Stacks, Bow Couplers, Wire Connectors, CHMSL Kit



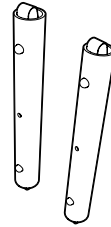
Bow Stack -
Driver Side
Part #589.61
Qty.1



Bow Stack -
Passenger Side
Part #589.60
Qty.1

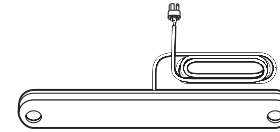


Bow Coupler
#1 & #4 Bows
Part #576.04
Qty. 2

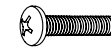


Bow Coupler
#2 & #3 Bows
Part #576.05
Qty. 2

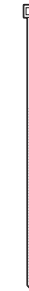
Parts Kit #576.71



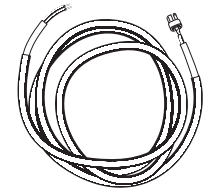
Center High-Mount
Stop Light (CHMSL)
Qty. 1



#10-32 Screw
Qty. 2



Wire Tie
Part #346.58
Qty. 1



29' Wire Harness
Qty. 1

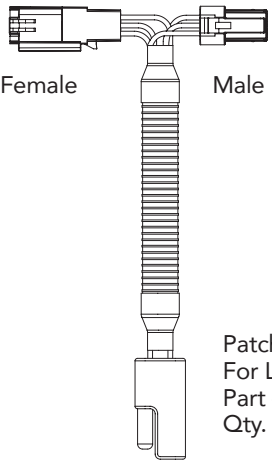


Flat Washer
Qty. 2



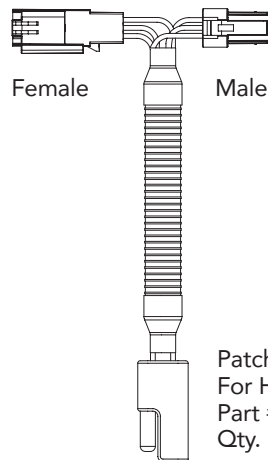
#10-32 Nut
Qty. 2

Wire Harness Connectors; Foam Tape; Top, Window, Side Curtains



Female Male

Patch Loom **A**
For LED Lights
Part #593.39
Qty. 1



Female Male

Patch Loom **B**
For Halogen Lights
Part #593.40
Qty. 1



Foam Tape
Part #595.31
Qty. 1 roll - 24"

