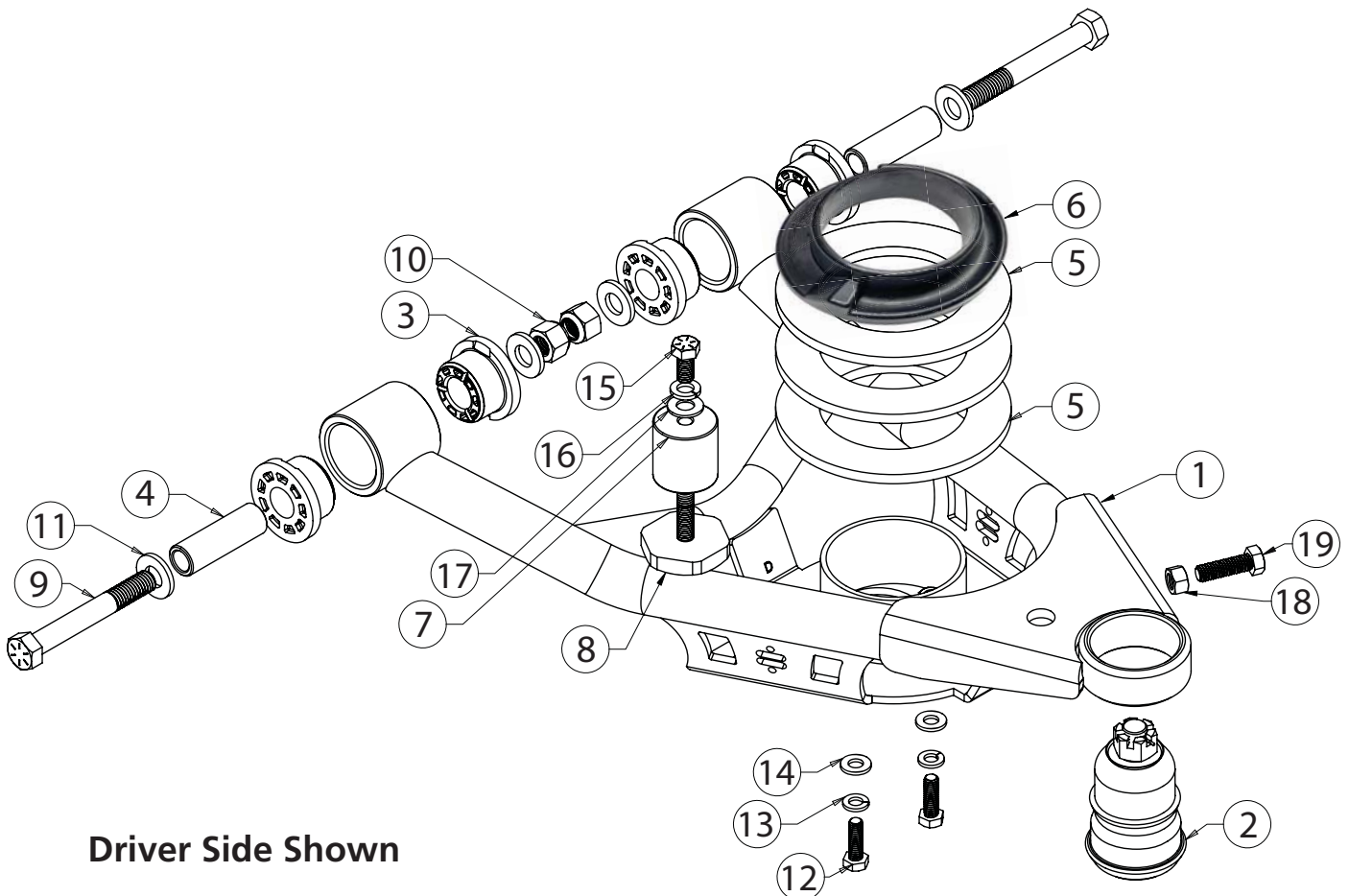




Part # 11162199 - 1967-1969 GM F-Body Front Coil Spring StrongArms

## Lower Control Arm Components .....In the box

Item #	Part Number	Description	QTY
1	90003330	Driver Lower Control Arm <b>(Shown)</b>	1
1	90003331	Passenger Lower Control Arm	1
2	90000898	Lower Ball Joint Assembly	2
3	70010759	Delrin Bushing - with 2" Diameter Ledge	8
4	90000516	1/2" ID Inner Sleeve	4
5	90003349	1/4" Coil Spring Spacer	6
6	90000247	Coil Spring Isolator	2
7	90003360	Bump Stop Spacer	2
8	70013322	Medium Bump Stop	2



Driver Side Shown



## Hardware Kit .....# 99010191

Item #	Part #	Description	QTY	Item #	Part #	Description	QTY
<b>LOWER CONTROL ARM MOUNTING</b>				<b>BUMP STOPS</b>			
9	99501065	1/2"-13 x 3 3/4" Hex Bolt	4	15	99371065	3/8"-16 x 3/4" Hex Bolt	2
10	99502009	1/2"-13 Nylok Nut	4	16	99373002	3/8" Split Lock Washer	2
11	99503014	1/2" SAE Flat Washer	8	17	99373002	3/8" SAE Flat Washer	2
<b>SHOCK TO CONTROL ARM</b>					90002263	Red Loctite	1
12	99311030	5/16"-18 X 1" Hex Bolt	4	<b>STEERING STOP</b>			
13	99313005	5/16" Split Lock Washer	4	18	99372012	3/8"-16 Hex Nut	2
14	99313001	5/16" SAE Flat Washer	4	19	99371005	3/8"-16 x 1 1/4" Hex Bolt	2