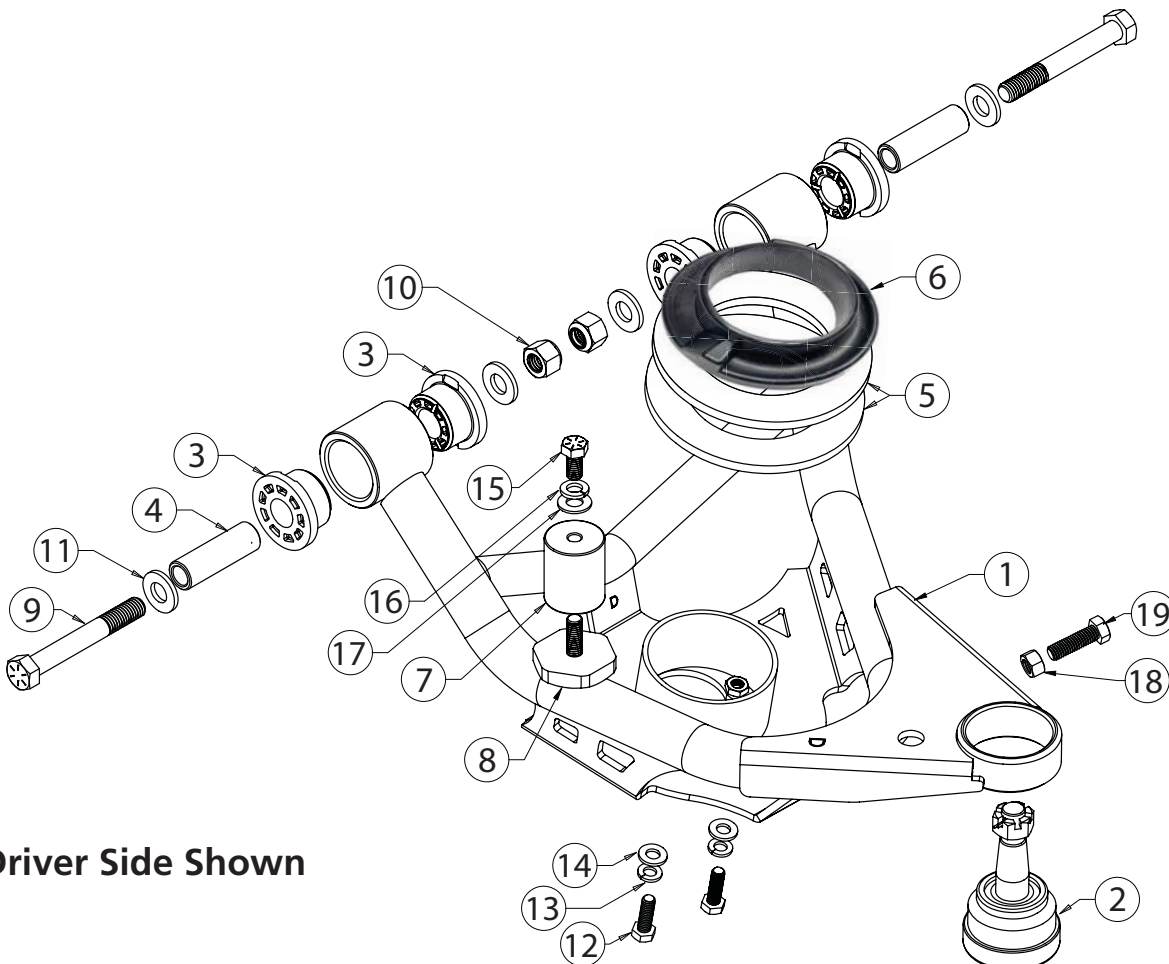




Part # 11172199 - 1970-1981 GM F-Body Front Coil Spring StrongArms

Lower Control Arm ComponentsIn the box

Item #	Part Number	Description	QTY
1	90003363	Driver Lower Control Arm (Shown)	1
1	90003362	Passenger Lower Control Arm	1
2	90000896	Lower Ball Joint Assembly	2
3	70010759	Delrin Bushing - with 2" Diameter Ledge	8
4	90000516	1/2" ID Inner Sleeve - installed in control arms	4
4	90000517	9/16" ID Inner Sleeve	4
5	90003349	1/4" Coil Spring Spacer	4
6	90000247	Coil Spring Isolator - 5 1/4" Outside Diameter	2
6	90000248	Coil Spring Isolator - 5 3/4" Outside Diameter	2
7	90003361	Bump Stop Spacer	2
8	70013322	Medium Bump Stop	2



Driver Side Shown



Hardware Kit# 99010194

Item #	Part #	Description	QTY	Item #	Part #	Description	QTY
LOWER CONTROL ARM MOUNTING (70-74)				BUMP STOPS			
9	99501014	1/2"-20 x 3 1/2" Hex Bolt	4	14	99371007	3/8"-16 x 1 1/2" Hex Bolt	2
10	99502003	1/2"-20 Thin Nylok Nut	4	15	99373006	3/8" Split Lock Washer	2
11	99503014	1/2" SAE Flat Washer	8	16	99373002	3/8" SAE Flat Washer	2
LOWER CONTROL ARM MOUNTING (75-81)					90002263	Red Loctite	1
9	99621002	9/16"-18 x 3 1/2" Hex Bolt	4	SHOCK TO CONTROL ARM			
10	99562003	9/16"-18 Thin Nylok Nut	4	17	99311030	5/16"-18 X 1" Hex Bolt	4
11	99503003	9/16" SAE Flat Washer	8	18	99313005	5/16" Split Lock Washer	4
STEERING STOP				19	99313001	5/16" SAE Flat Washer	4
12	99312007	5/16"-18 Hex Nut	2				
13	99311011	5/16"-18 x 1 1/4" Hex Bolt	2				