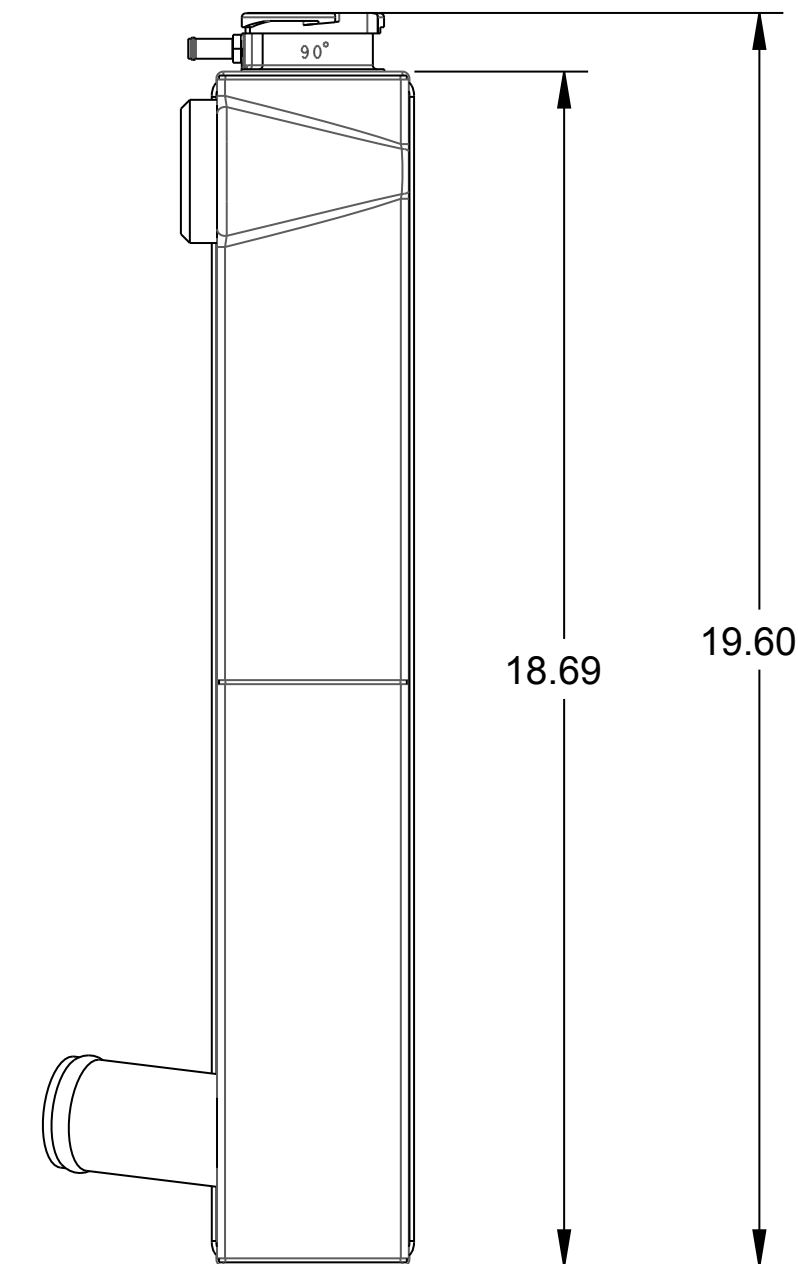
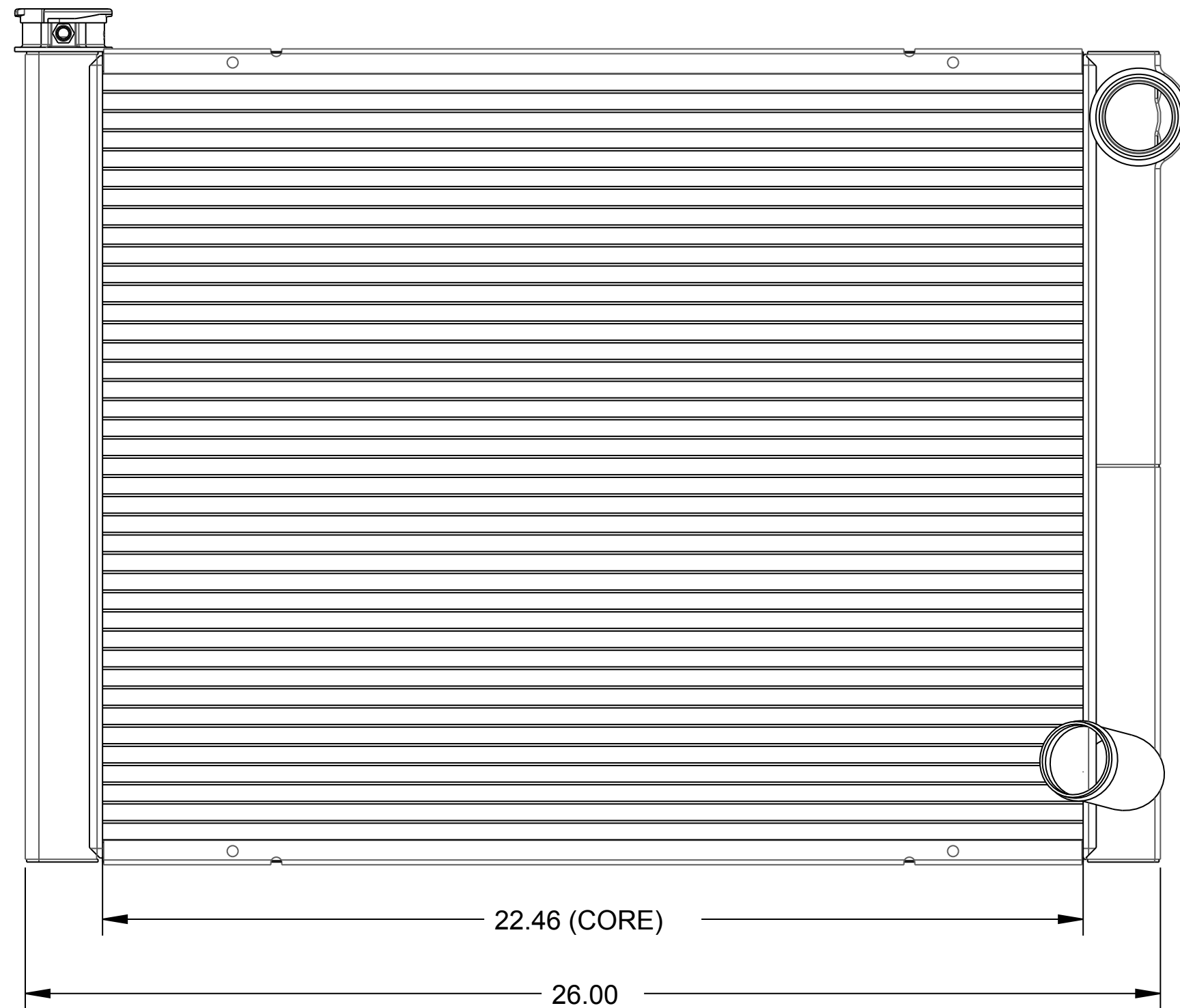
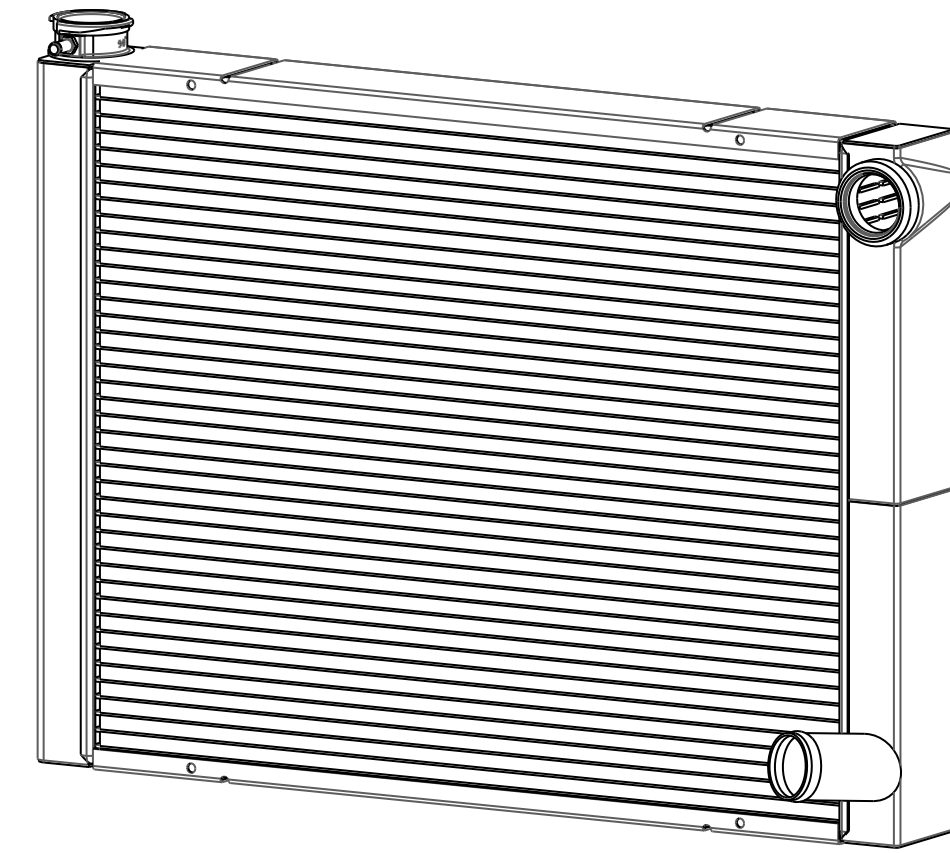
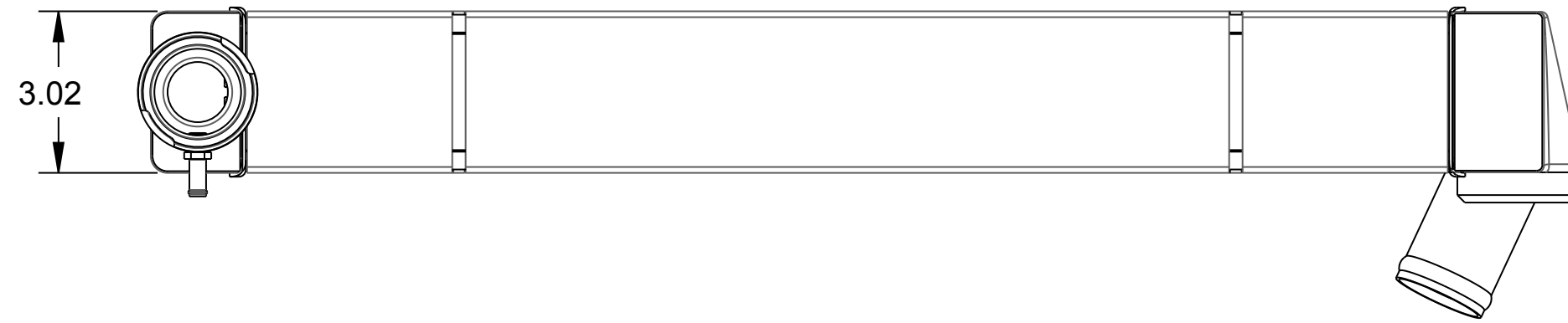


THIS DRAWING MUST BE RETURNED TO
C&R OR DESTROYED UPON REQUEST

THE INFORMATION CONTAINED IN THIS DRAWING IS THE SOLE PROPERTY OF
C&R RACING INC. ANY REPRODUCTION IN PART OR WHOLE
WITHOUT THE WRITTEN PERMISSION OF C & R RACING INC. IS PROHIBITED



				6950 GUION ROAD INDIANAPOLIS, INDIANA 46268 PHONE: 317-293-4100 FAX: 317-293-4110 WWW.CRRACING.COM	
				THIRD ANGLE PROJECTION	
ISSUE	MODIFICATIONS	BY	CHK	DATE	DO NOT SCALE IF IN DOUBT ASK
					DRAWN: EH CHKD. BY: PL DATE: 10/05/12
					TITLE: DOUBLE PASS / OPEN / LOW OUTLET
					WEIGHT: SCALE: 1 : 3 PART NUMBER: 802-26190