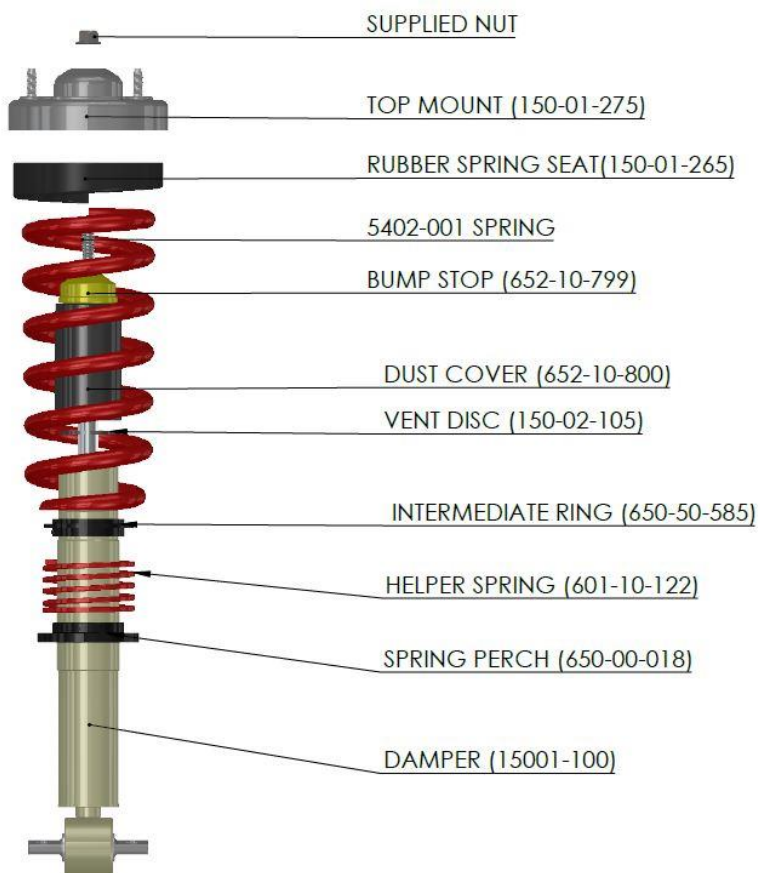


Parts List: 16001

Part #	Description	Quantity
16001-100	COILOVER DAMPER	1
112058	HHCS M14-1.5 X 70MM (LOWER STRUT MOUNT)	2
112298	NYLON LOCK NUT M14-1.5	2
110660	WASHER	2
650-00-018	SPRING PERCH	1
601-10-122	HELPER SPRING	1
650-50-585	INTERMEDIATE RING	1
150-02-105	VENT DISK	1
652-10-799	BUMP STOP	1
652-10-800	DUST COVER	1
5402-001	COILSPRING	1
150-01-265	RUBBER SPRING SEAT	1
150-01-275	TOP MOUNT	1



Drop Spindle PARTS LIST		
PART #	DESCRIPTION	QUANTITY
2352-325	STEERING KNUCKLE LH	1
2352-425	STEERING KNUCKLE RH	1

PART LIST FOR 17000 Street Performance Shock Absorbers

DESCRIPTION
Street Performance Plus Shock Absorbers
Progressive rate Polymer bumpstops
18 mm piston rods
35 mm compression and rebound valves

PART LIST FOR 6448 Flip Kit

DESCRIPTION
Axle Saddles
U-bolts
Plates
Shackles
Front Spring Hangers
Bumpstops
Hardware

**PART LIST FOR 5559
ANTI-SWAY BAR KIT**

QTY	Part #	DESCRIPTION
1	5559-300	PAINTED REAR SWAY BAR
2	115002-95	ZINC PLATED PIVOT BUSHING BRKT
2	115003-95	ZINC PLATED BUSHING SUPPRT PLT
2	113075	PIVOT BUSHING 1.0"
1	55000-10	GREASE PACK
2	112112	HHCS ZP GRD 8 3/8-16 X 3
8	110255	NYLON INSERT LOCK NUT 3/8"-16
14	112518	FLAT WASHER USS 3/8"
2	112260	U-CLAMP 3-1/4"
1	6447-050-99	POWDERCOATED SWAYBAR MOUNTING
1	6447-051-99	PASS POWDERCOATED SWAYBAR MOUNTING
2	112248	MALE HEIM JOINT 1/2"-20
2	112249	FEMALE HEIM JOINT 1/2"-20
8	57400-045	BEARING SPACER- TOE ADJUSTER
2	112326	JAM NUT 1/2"-20
2	71001-007-95	ZINC PLATED ROD END BRACKET
4	112106	HH CAP SCREW 3/8"-16 X 2-1/4"