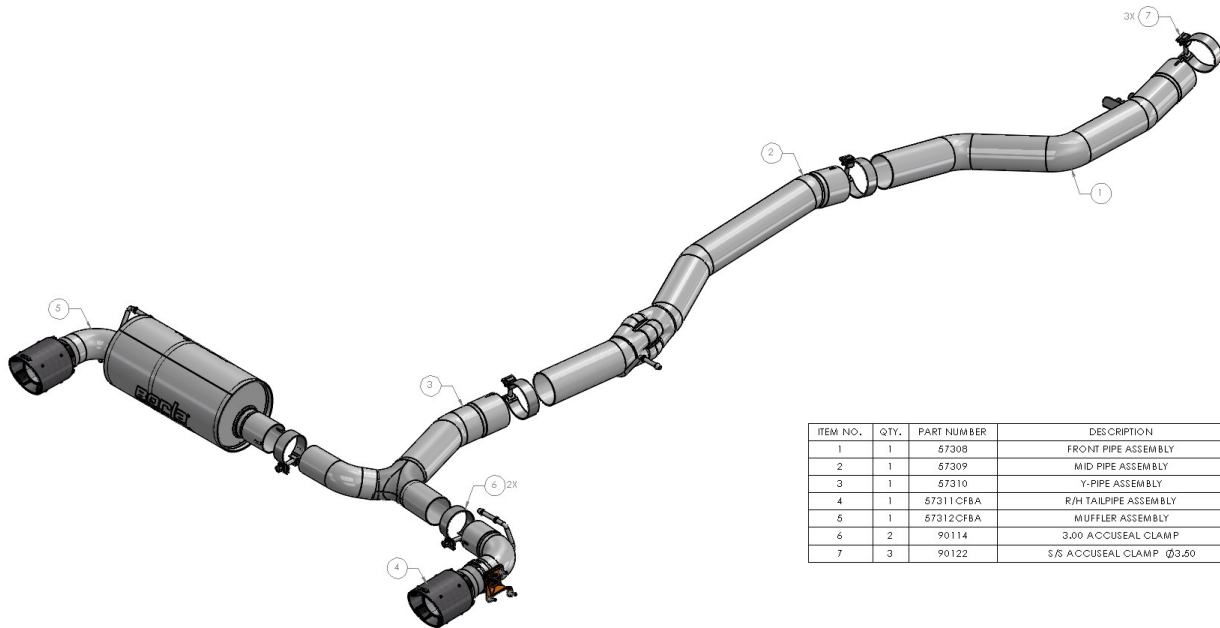


Borla Performance Bill of Materials



ITEM NO.	QTY.	PART NUMBER	DESCRIPTION
1	1	57308	FRONT PIPE ASSEMBLY
2	1	57309	MID PIPE ASSEMBLY
3	1	57310	Y-PIPE ASSEMBLY
4	1	57311 CFBA	R/H TAILPIPE ASSEMBLY
5	1	57312 CFBA	MUFFLER ASSEMBLY
6	2	90114	3.00 ACCUSEAL CLAMP
7	3	90122	S/S ACCUSEAL CLAMP Ø3.50