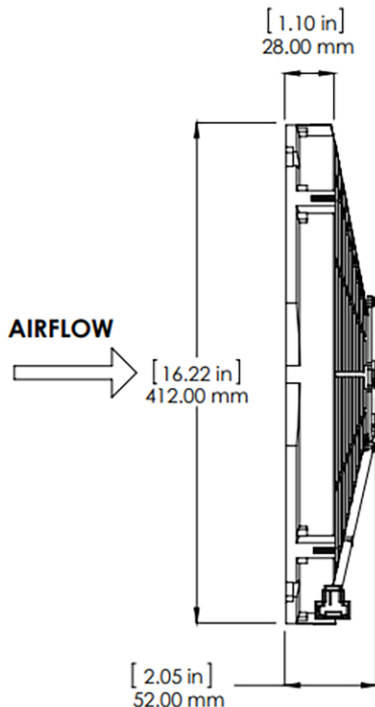
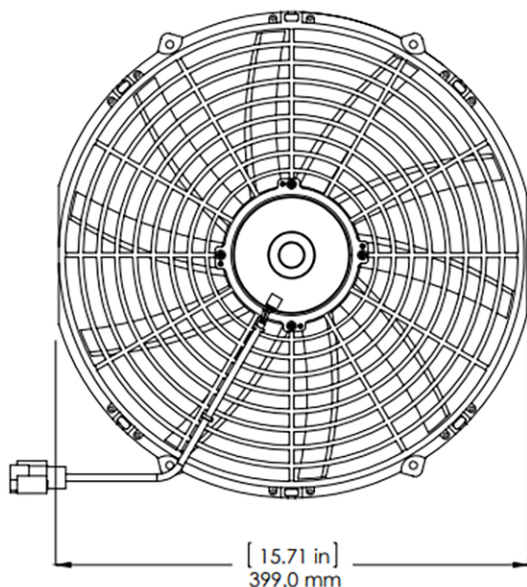
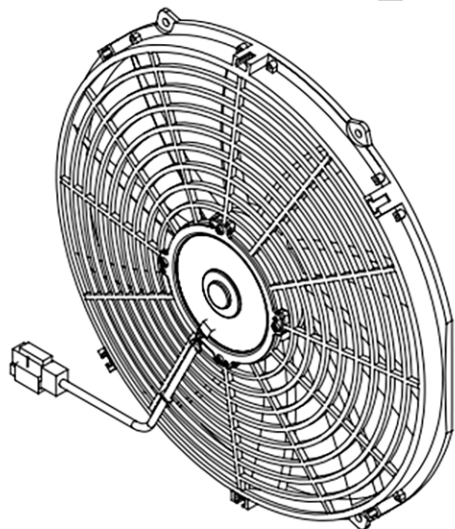


Turbo Series

Powered by Champion Cooling

STAGE 2 - 16"



Part No.: TSKF16CBLP

Ip68 MOTOR
WATERPROOF AND LOW NOISE
PERFORMANCE DATA

AIR FLOW (CFM)	CURRENT (A)	AIR FLOW (m ³ /h)	STATIC PRESSURE
2139	14.2	3635	0



BLACK WIRE (-)

RED WIRE (+)

PLUG DETAIL
 SCALE 1 : 2

Champion
 Cooling Systems

www.ChampionCooling.com

Champion Cooling Systems

32373 Corydon Street

Lake Elsinore, CA 92530

(P) 951/245-9464

(F) 951/245-9465