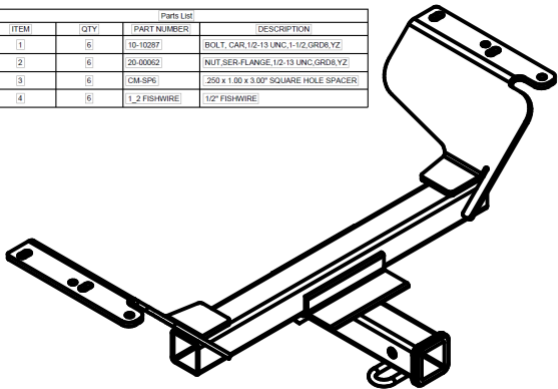


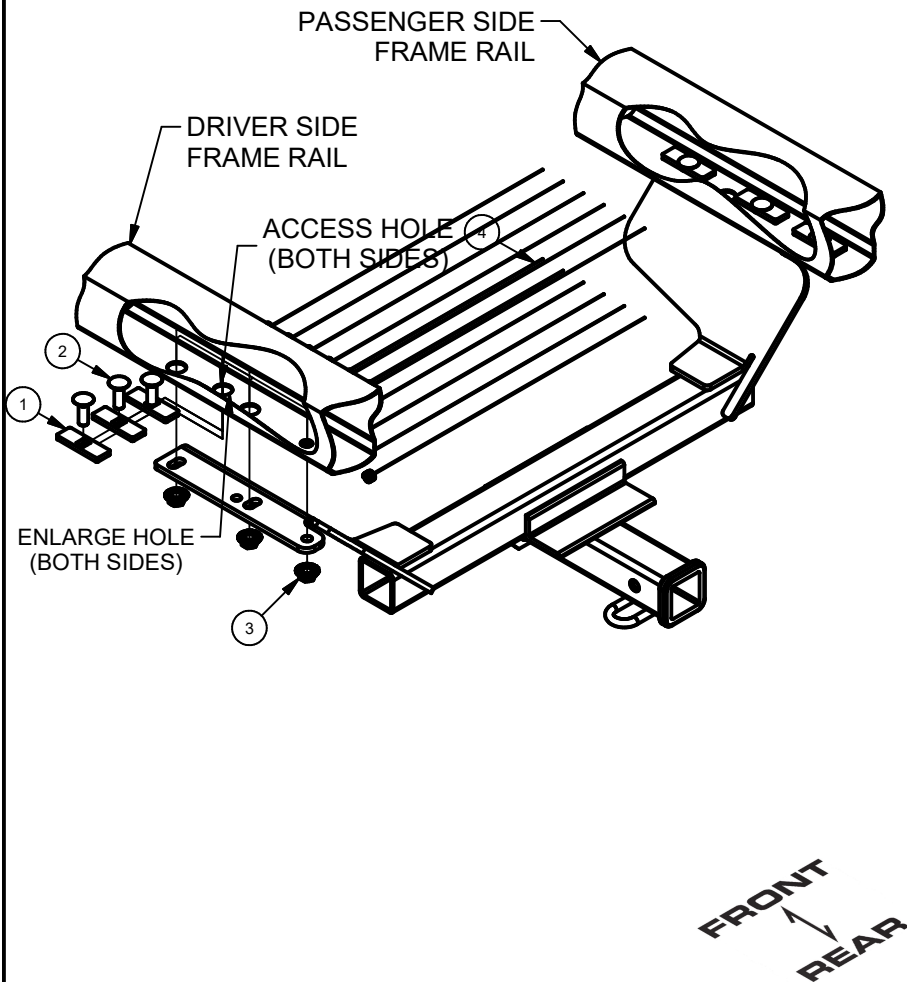
Parts List

ITEM	QTY	PART NUMBER	DESCRIPTION
1	6	10-10287	BOLT, CAR, 1/2-13 UNC, 1-1/2, GRD6, YZ
2	6	20-00062	NUT, SER-FLANGE, 1/2-13 UNC, GRD8, YZ
3	6	CM-SP6	.250 x 1.00 x 3.00" SQUARE HOLE SPACER
4	6	1_2 FISHWIRE	1/2" FISHWIRE



INSTALLATION WALKTHROUGH:

Parts List			
ITEM	QTY	PART NUMBER	DESCRIPTION
1	6	10-10287	BOLT, CAR, 1/2-13 UNC, 1-1/2, GRD8, YZ
2	6	20-00062	NUT, SER-FLANGE, 1/2-13 UNC, GRD8, YZ
3	6	CM-SP6	.250 x 1.00 x 3.00" SQUARE HOLE SPACER
4	6	1_2 FISHWIRE	1/2" FISHWIRE



1. Locate and remove the (2) torx screws from the rear fascia. Save for reinstallation.



2. Lower the exhaust by removing the (4) bolts from each of the rear exhaust hanger brackets (2 per side) using a 15mm socket.



INSTALLATION WALKTHROUGH:

3. Finish lowering the exhaust by removing the exhaust rubber isolator in front of the muffler.
Note: Be sure to support the exhaust.

Slightly enlarge the center mounting point on both the driver and passenger side frame rails to allow the hardware to fit.



4. Utilizing the access hole, fishwire (1) 1/2" carriage bolt and (1) spacer into each of the three mounting holes in both frame rails.



5. Raise hitch into position and secure the hitch to the vehicle using (6) 1/2" hex flange nuts.



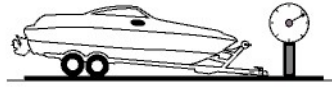
6. Torque the 1/2" hardware to 110 ft-lb.
Reinstall exhaust and fascia screws from step 1.



TOWING SAFETY INFORMATION

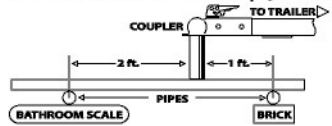
Gross Trailer Weight / GTW

The Gross Trailer Weight is the weight of the trailer & cargo. Measure this by putting the fully loaded trailer on a vehicle scale.



Tongue Weight / TW

The downward force that is exerted on the hitch ball by the coupler. The tongue weight will vary depending on where the load is positioned in relationship to the trailer axle(s). To measure the tongue weight, use either a commercial scale or a bathroom scale with the coupler at towing height. When using a bathroom scale with heavier tongue weights, use the method shown and multiply the scale reading by 3.



Weight Carrying / WC

The total weight of both the trailer and the cargo inside. Never exceed the weight capacity of your trailer hitch.

Weight Distribution / WD

Used to balance the weight of the cargo between the front and rear wheels throughout the trailer, allowing for better steering, braking, and level riding.



Sway Control

A device used to reduce the lateral movements of the trailer that are caused by the wind. This works in conjunction with a weight distribution hitch. Do not use this on a class 1 or 2 hitch, or with surge brakes.

How Much Can You Safely Tow?

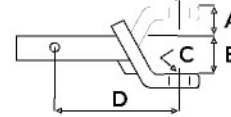
TONGUE WEIGHT (lb)	1000	2000	3000	4000	5000	6000	7000	8000	10,000	12,000
Tongue weight should be about 10 to 15 percent of the gross trailer weight.										
TRAILER TYPE	CLASS 1		CLASS 2			CLASS 3			CLASS 4	
TRAILER TYPE	CLASS 5									
Camper	11'	12'	13'	14'	15'	16'				
lbs.	1100	1200	1300	1400	1500	1600				
Vacation	18'	18'	18'	20'	22'	24'	26'	28'	30'	32'
lbs.	2100	2400	2700	3000	3300	3600	3900	4200	4500	4800
Vacation	18'	18'	18'	20'	22'	24'	26'	28'	30'	32'
lbs.	2800	3200	3600	4000	4400	4800	5200	5600	6000	6400
5th Wheel										

Refer to owner's manual for towing capabilities and limitations.

Ball Mount

The ball mount is placed inside the opening of the receiver hitch which is mounted to the vehicle. Make sure a hitch pin and clip is properly securing the ball mount to the receiver hitch before you begin towing.

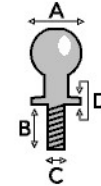
- A: Rise. B: Drop. C: Hole Size. D: Length.



Trailer Ball

The connection from the hitch to the trailer. There are many factors that determine the correct hitch ball:

- Number one is the hitch ball's gross trailer weight rating.
- The mounting platform must be at least 3/8" thick.
- The hole diameter must not be more than 1/16" larger than the threaded shank.
- Every time you tow, check the nut and lock washer to make sure they are fastened securely.
- A: Ball Dia. B: Shank Length. C: Shank Dia. D: Shank Rise.



Coupler

The component that is placed over the trailer ball to connect the vehicle to the trailer. Be sure that the coupler size matches the size of the hitch ball and that the coupler handle is securely fastened. To determine what size hitch ball you need for your application you will need to know the size of coupler that is on the trailer. Be sure your coupler is properly adjusted to the ball you are using.

NOTE: For added security the use of safety devices such as Coupler Safety Pins and Locks is strongly recommended.

Safety Chains

Safety chains are a requirement and should be crossed under the tongue of the trailer so that the tongue will not drop to the road if it becomes separated from the hitch. Always leave enough slack so you can turn. Never allow the safety chains to drag on the ground and never attach the chains to the bumper.

Trailer Classification: Safety Chain Breaking Force - Minimum

Class 1: 2,000 lbs. (8.9 kN)

Class 2: 3,500 lbs. (15.6 kN)

Class 3: 5,000 lbs. (22.2 kN)

The strength rating of each length of safety chain or its equivalent and its attachments shall be equal to or exceed in minimum breaking force the GVWR (Gross Vehicle Weight Rating) of the trailer.

Electrical

Trailer lights, Electric Brakes, Break-away systems - Every time you tow, be sure to check that all components are working properly.

Wiring identification by color:



CURT DISCLAIMER: WIRING COLOR SHOWN WORK IN CONJUNCTION WITH CURT MANUFACTURING PRODUCTS.

13439

CHEVROLET EQUINOX / GMC TERRAIN

07/07/2020

GROSS LOAD CAPACITY WHEN USED AS A WEIGHT CARRYING HITCH: 4,500 LBS. TRAILER WEIGHT & 675 LBS. TONGUE WEIGHT.
 GROSS LOAD CAPACITY WHEN USED AS A WEIGHT DISTRIBUTION HITCH: 4,500 LBS. TRAILER WEIGHT & 675 LBS. TONGUE WEIGHT

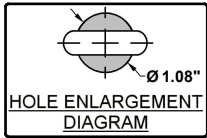
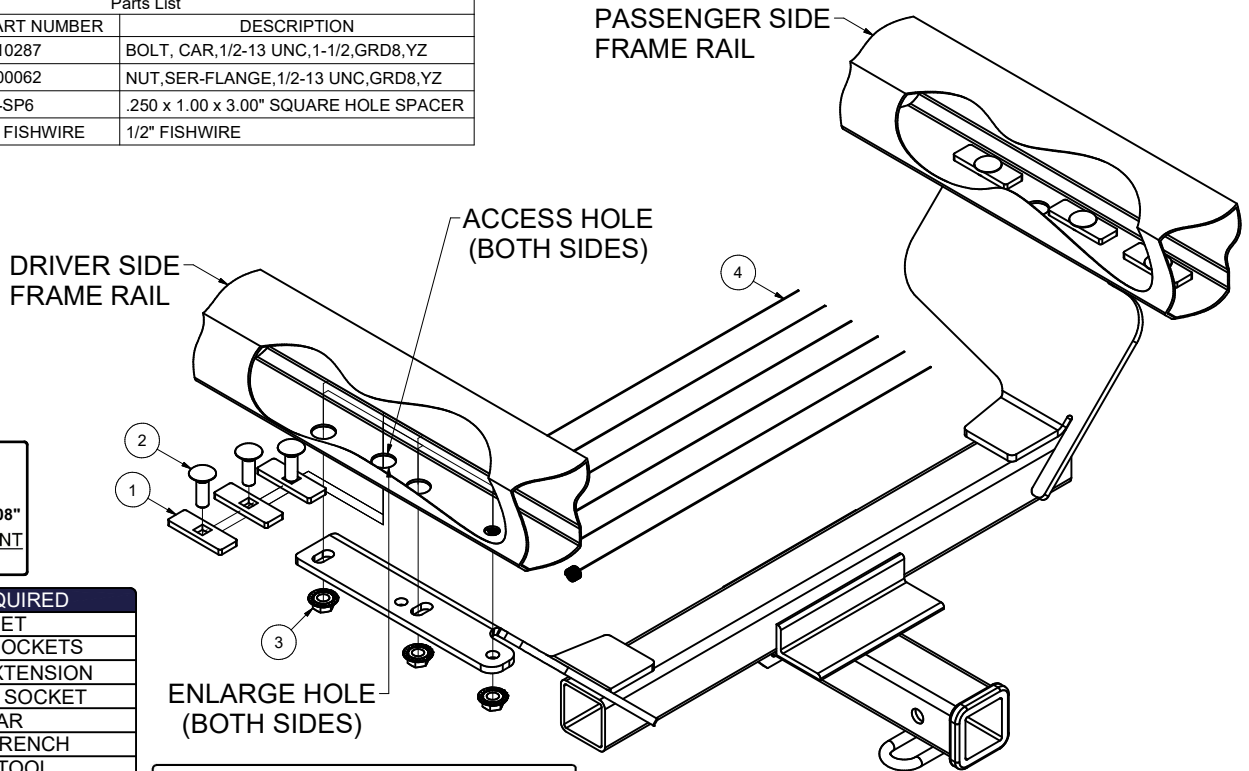


WARNING: * DO NOT EXCEED VEHICLE MANUFACTURER'S RECOMMENDED TOWING CAPACITY. *****

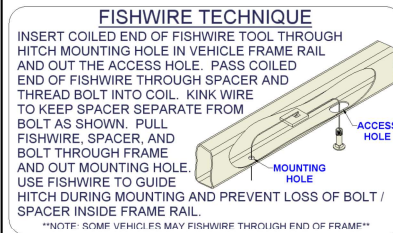
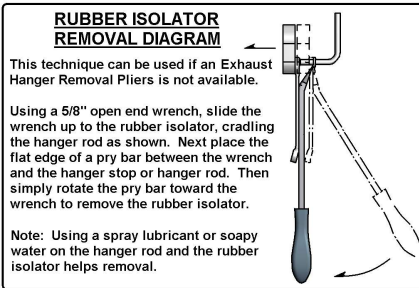
FOR MORE INFORMATION LOG ONTO WWW.CURTMFG.COM
 HAVING INSTALLATION QUESTIONS? CALL TECHNICAL SUPPORT AT 1-877-287-8634



Parts List			
ITEM	QTY	PART NUMBER	DESCRIPTION
1	6	10-10287	BOLT, CAR, 1/2-13 UNC, 1-1/2, GRD8, YZ
2	6	20-00062	NUT, SER-FLANGE, 1/2-13 UNC, GRD8, YZ
3	6	CM-SP6	.250 x 1.00 x 3.00" SQUARE HOLE SPACER
4	6	1_2_FISHWIRE	1/2" FISHWIRE



TOOLS REQUIRED
RATCHET
15 mm, 3/4" SOCKETS
6" SOCKET EXTENSION
T15 TORXBIT SOCKET
PRY BAR
TORQUE WRENCH
ROTARY TOOL
SAFETY GLASSES



HITCH WEIGHT: 45 LBS.

INSTALL TIME

PROFESSIONAL: 30 MINUTES
 NOVICE (DIY): 60 MINUTES

INSTALL NOTES:

- NO DRILL
- FISHWIRE HARDWARE
- TEMPORARY LOWER EXHAUST
- ENLARGE HOLE REQUIRED

INSTALLATION STEPS

1. Locate and remove the (2) torx screws from the rear fascia. Save for reinstallation.
2. Lower the exhaust by removing the (4) bolt from each of the rear exhaust hanger brackets (2 per side) using a 15mm socket.
3. Finish lowering the exhaust by removing the exhaust rubber isolator in front of the muffler.
Note: Be sure to support the exhaust.
 Slightly enlarge the access hole on both the driver and passenger side frame rails to allow the hardware to fit.
4. Utilizing the access hole, fishwire (1) 1/2" carriage bolt and (1) spacer into each of the three mounting holes in both frame rails.
5. Raise hitch into position and secure the hitch to the vehicle using (6) 1/2" hex flange nuts.
6. Torque the 1/2" hardware to 110 ft-lb. Reinstall exhaust and fascia screws from step 1.



Scan for more information

PERIODICALLY CHECK THIS RECEIVER HITCH TO ENSURE THAT ALL FASTENERS ARE TIGHT AND THAT ALL STRUCTURAL COMPONENTS ARE SOUND.

CURT Manufacturing LLC., warrants this product to be free of defects in material and/or workmanship at the time of retail purchase by the original purchaser. If the product is found to be defective, CURT Manufacturing LLC., may repair or replace the product, at their option, when the product is returned, prepaid, with proof of purchase. Alteration to, misuse of, or improper installation of this product voids the warranty. CURT Manufacturing LLC.'s liability is limited to repair or replacement of products found to be defective, and specifically excludes liability for incidental or consequential loss or damage.

This product complies with safety specifications and requirements for connecting devices and towing systems of the state of New York, V.E.S.C.Regulation V-5 and SAE J684.