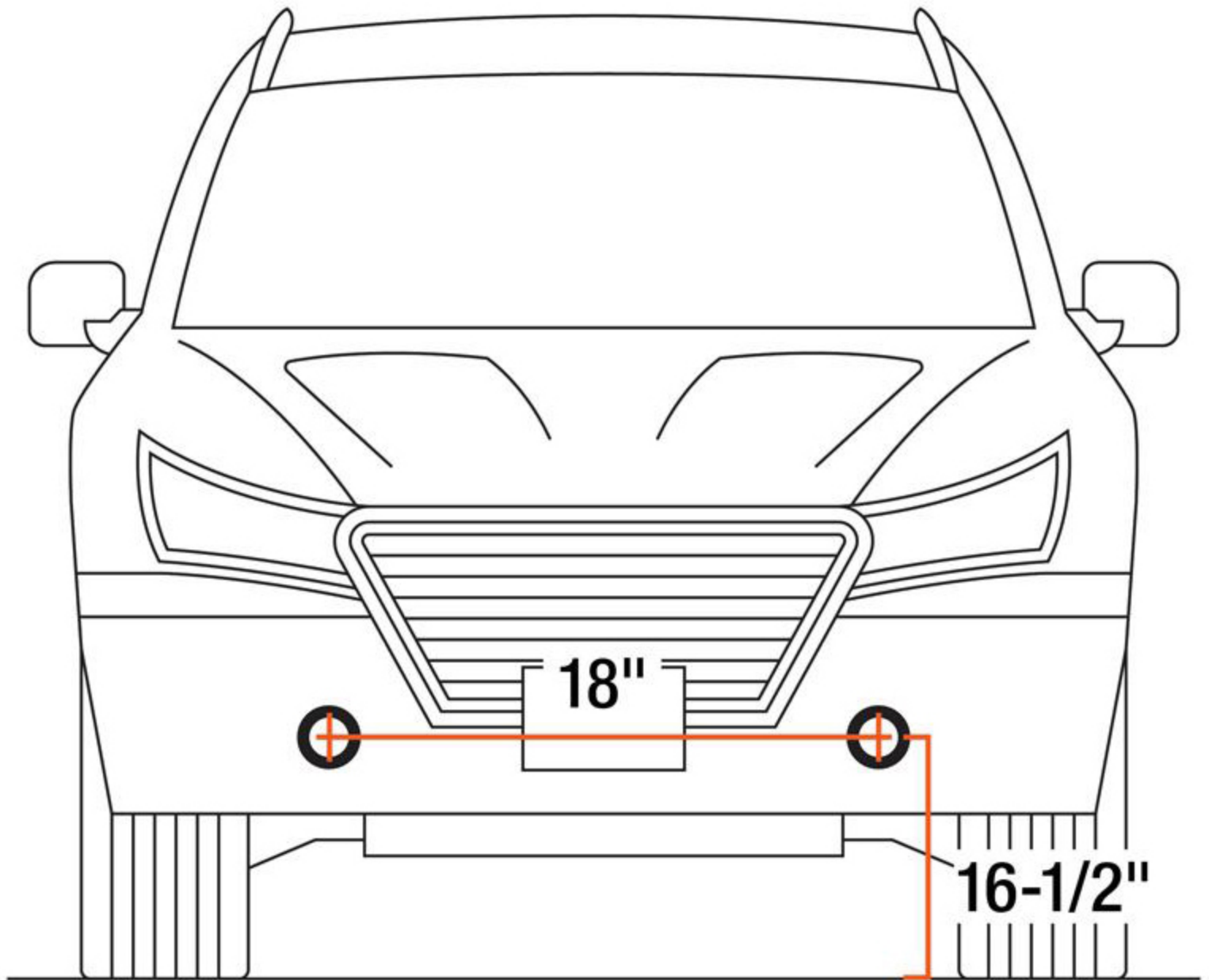


May vary by vehicle application



Ground