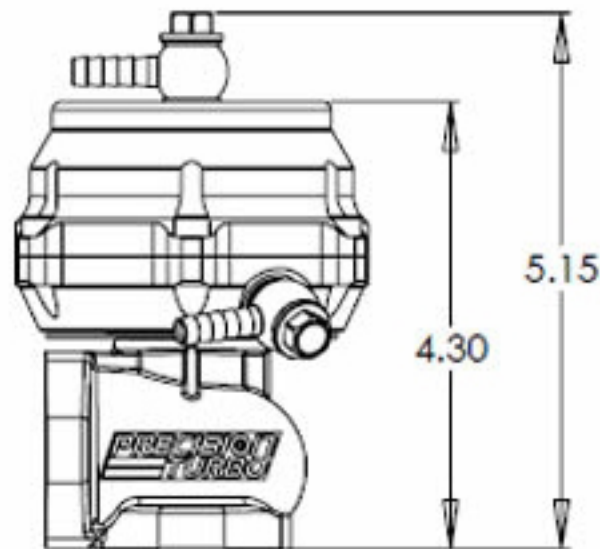
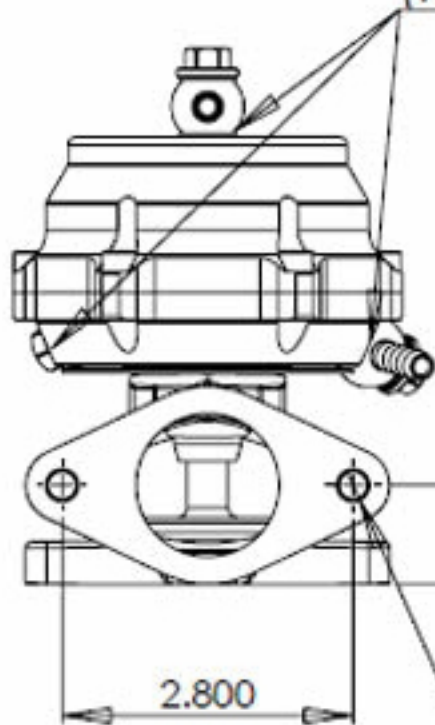


3 X M10 X 1.0
(WILL ALSO ACCOMMODATE 1/8 NPT, NPTS)



INLET AND OUTLET
FLANGES
304 SS

