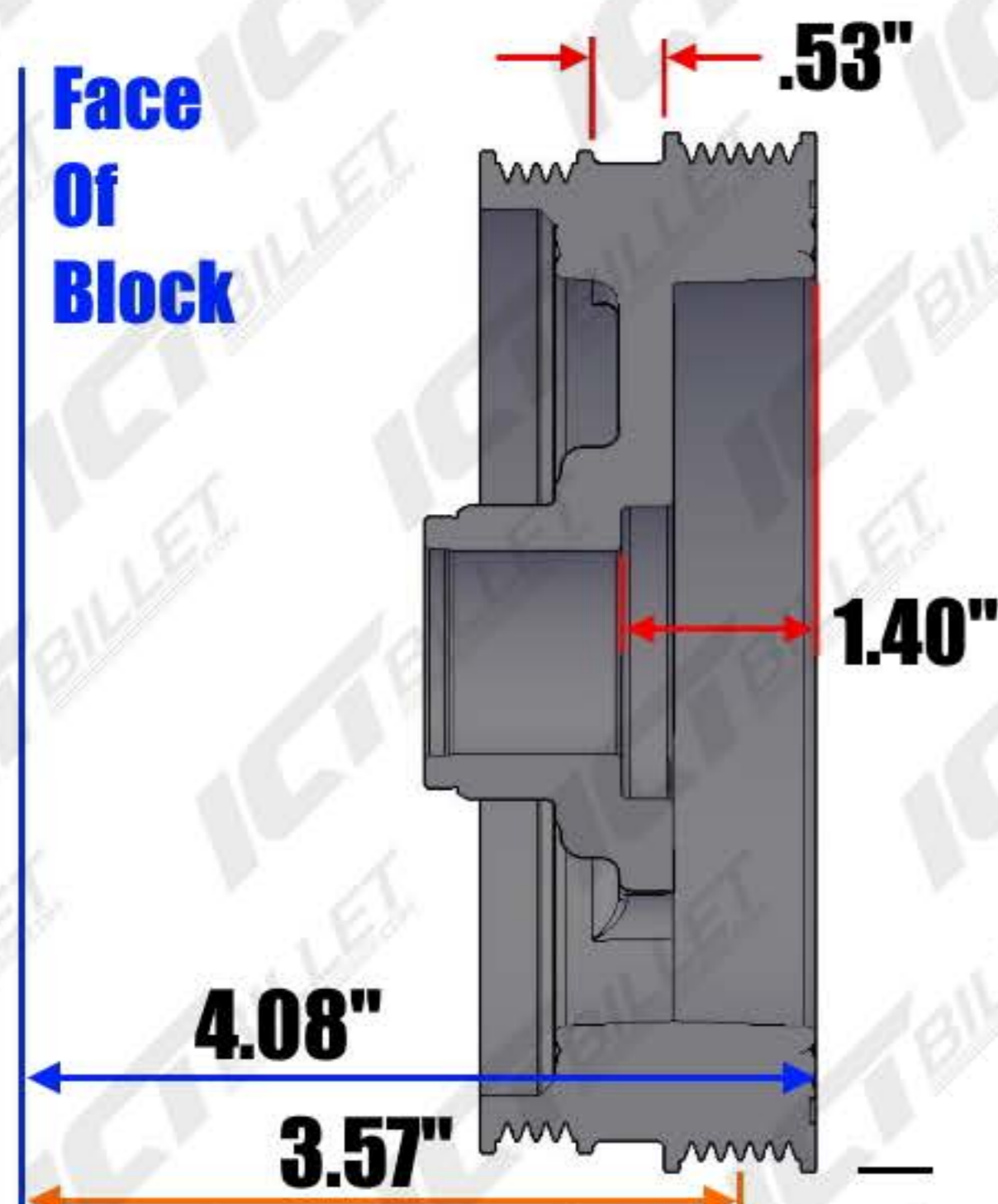
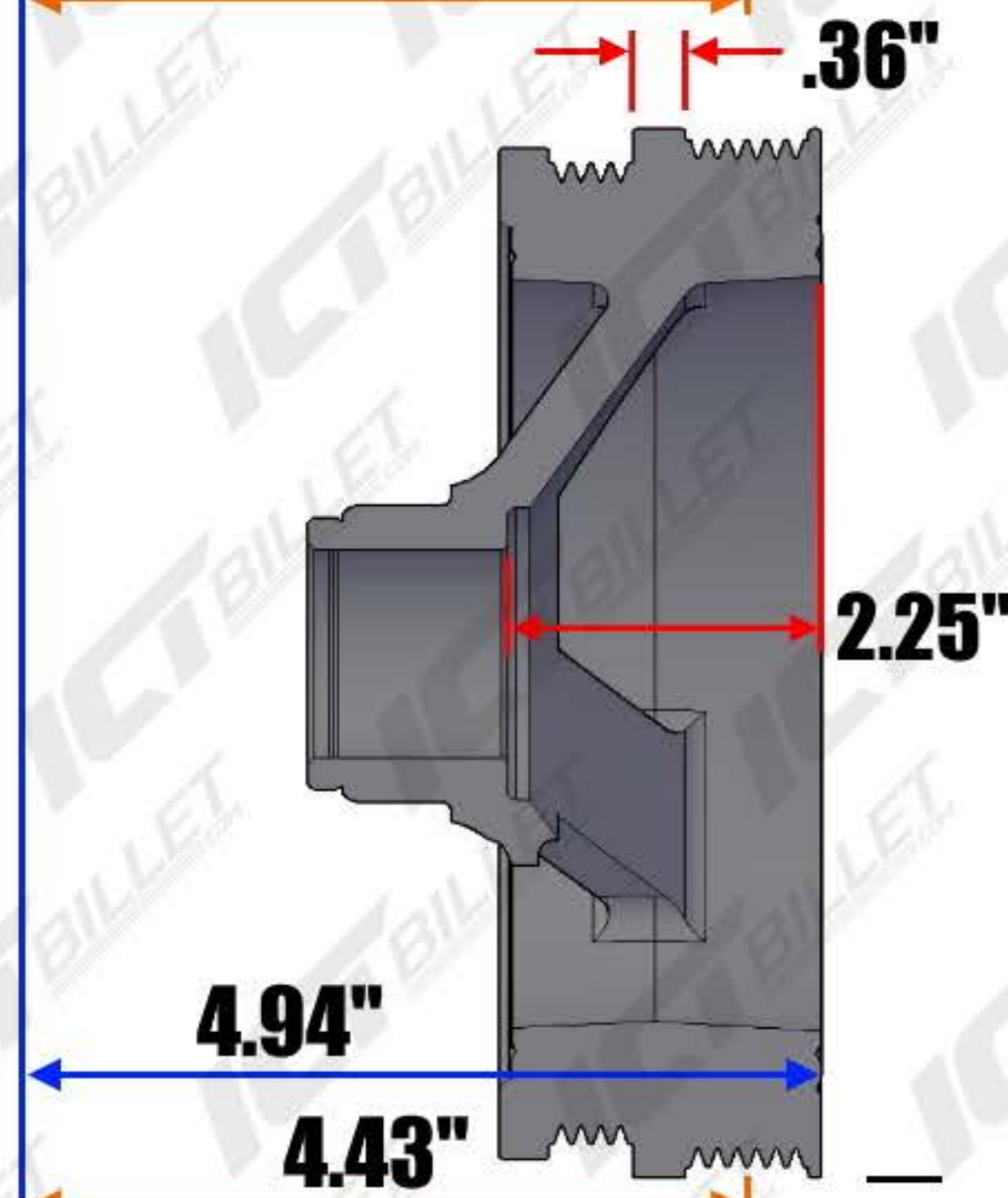


LS Crank Spacing Guide

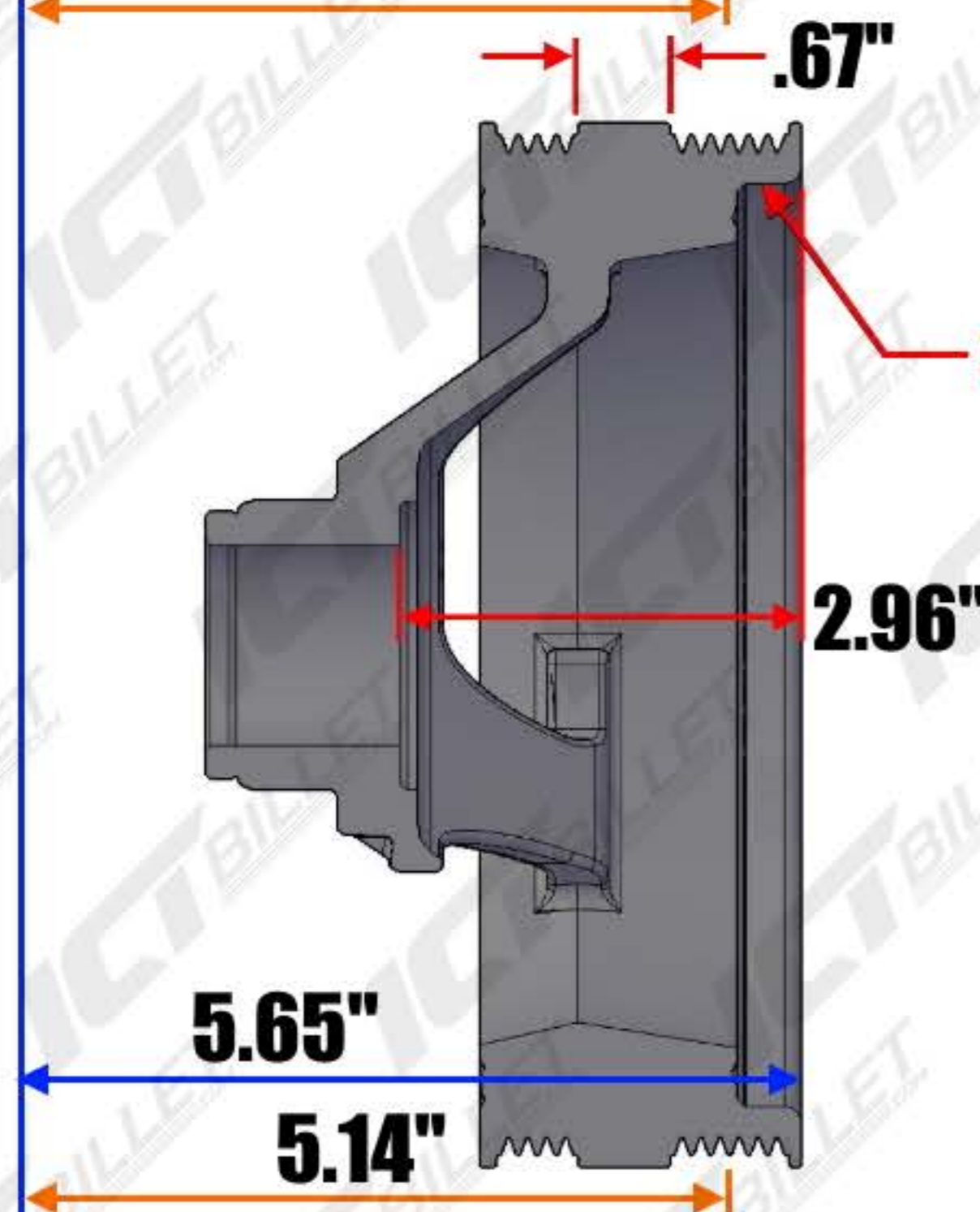
Face
Of
Block



Part #'s Ending In
-1
Corvette/CTS-V/SS/G8



Part #'s Ending In
-2
98-02 Camaro/GTO



Part #'s Ending In
-3
Truck/SUV/2010-Up Camaro

