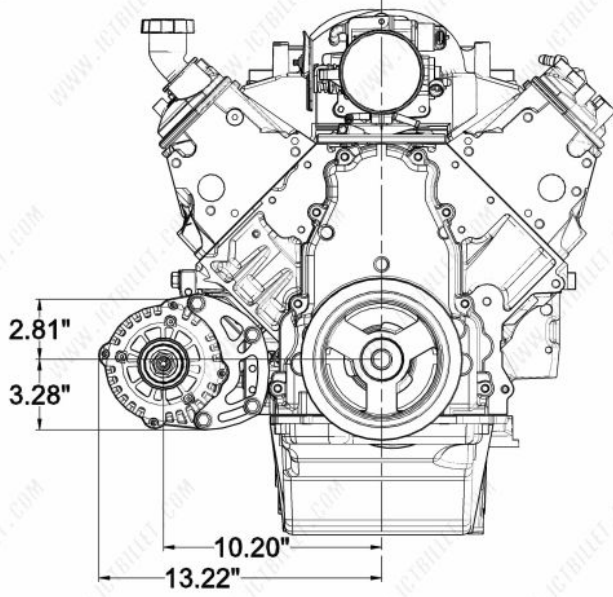


551177LS0 Passenger Alternator Bracket (Electric or Remote WP)



\*All dimensions are with alternator in fully extended position