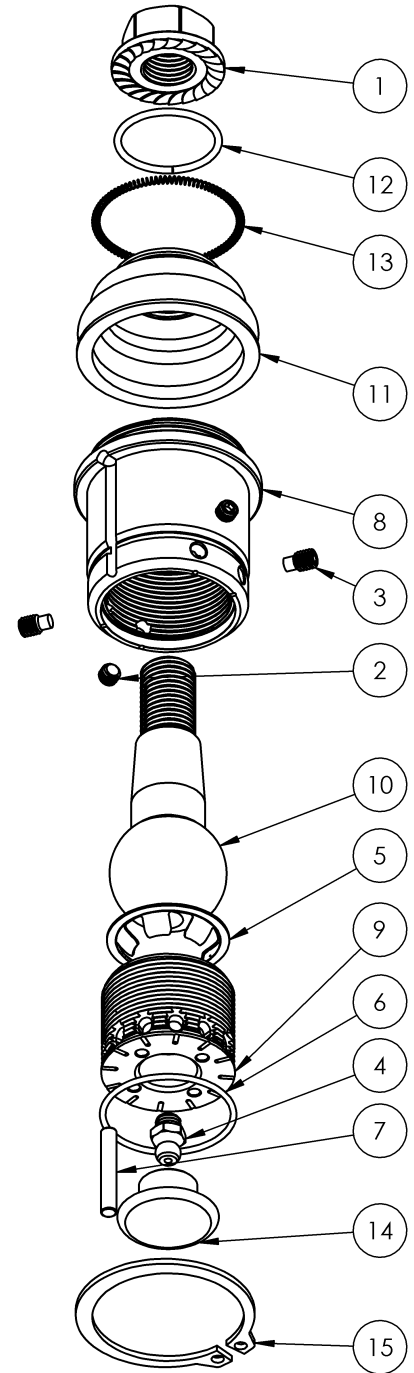


1853900

JK Premium HD Complete Steering Kit

ITEM NO.	PART NUMBER	DESCRIPTION	QTY.
1	853915	JK HD Chromoly Tie Rod Assembly with Premium Ball Joints	1
2	853925	JK HD Forged Drag Link Assembly with Premium Ball Joints	1
3	344000	HD Ball Joint Adjusting Tool	1
4	700136	JK Forged Drag Link Box	1
5	700137	JK Forged Tie Rod Box	1
6	700139	JK Complete Forged Steering Box	1
7	999182	Instructions for JK Complete HD Steering Kit	1

ITEM NO.	PART NUMBER	DESCRIPTION	QTY.
1	212	M14X1.5 Flanged Serrated Distorted Thread Locknut for HD Steering Ball Joints	1
2	304	Set Screw M5 x 0.8 Pitch x 4mm Flat Point for HD Adjustable Ball Joints	2
3	306	Set Screw M5 x 0.8 Pitch Extended Point for HD Adjustable Ball Joints	2
4	308	Grease Zerk 1/4"-28 UNF Straight	1
5	344207	Tool Steel Washer for HD Series Ball Joints	1
6	344208	O-Ring 32mm I.D. 1.5mm Thick for HD Series Ball Joints	1
7	344401	JK HD Steering Ball Joint Rolled Pin Alignment Key	1
8	344402	JK HD Steering Ball Joint Housing	1
9	344403	JK HD Steering Ball Joint End Plate	1
10	344404	JK HD Steering Ball Joint Stud	1
11	344405	Premium JK Steering Ball Joint Bi-Fold Dust Boot	1
12	344406	Premium JK Steering Ball Joint Dust Boot Retaining Ring	1
13	344407	Premium Series Steering and Lower Ball Joint Dust Boot Retaining Spring	1
14	344408	JK HD Steering Ball Joint Grease Zerk Rubber Plug	1
15	845	Snap Ring 1.625" External for HD Series Steering and Axle Ball Joints	1



344410
Premium JK Steering Ball Joint