

Buggy Assembly Guide

555-44100 - Stinger

Assembly Instruction & Parts List



JEGS.com

1-800-345-4545

Precautions

Precautions With Small Children

- For children under the age of 13, parental guidance is recommended when running.

Assembly Precautions

- Choking hazard. Do not assemble near small children.
- Check the contents carefully before assembly. Please contact Customer Service at: 1.800.345.4545 if you have any defective or missing items.
- Carefully read through this manual, and familiarize yourself with the instructions.
- Many different tools are required during assembly. For safety purposes, please use the correct tools.
- Exercise caution when using sharp tools such as a hobby knife.
- Many different materials are used in the construction of these parts. Use extra care when handling parts with sharp edges, such as machined metal parts.
- When cutting plastic parts, watch for any flying parts.
- Try to assemble any rotating parts or drivetrain parts as carefully as possible.
- Bundle wires neatly away from the ground or any moving drivetrain components. Make sure that all wires are securely connected to prevent electrical shorting.
- Unnecessary modifications may be unsafe and hinder performance.

Precautions Before Running

- Some models may exceed speeds of 25 mph. Practice common sense and run the Stinger in open safe places, or R/C car tracks.
- Do not run the Stinger on public roads with high amounts of traffic, or in areas that may cause an inconvenience to people in that area.
- The Stinger is controlled using a radio frequency. Radio interferences may cause loss of control.
- If others near you are running R/C cars, confirm that they are not running on the same frequency.
- This unit is manufactured with waterproof electronics, but it should not be submerged in water for extended periods of time.
- The drivetrain of the Stinger consists of many moving parts like gears, shafts, and tires. Avoid touching these areas when the battery is connected.
- Many parts of the Stinger will become hot after running. Allow the parts to sufficiently cool before conducting any maintenance.

Beginning a Run

1. Place the Stinger so that the wheels are off the ground.
2. Confirm that the speed controller switch is OFF, and connect the motor and battery.
3. Switch the transmitter ON. (Do not use the transmitter with low voltage. Ensure that the transmitter batteries are good before use.)
4. Turn the speed controller switch ON.

Ending a Run

1. Turn the speed controller switch OFF.
2. Disconnect the battery.
3. Turn the transmitter switch OFF.

Battery Usage

(Carefully read the instruction included with the batteries.)

- When charging batteries, ensure nothing flammable is in the surrounding area. Also avoid charging in high-temperature locations.
- After use, allow the battery to cool before charging.
- When charging batteries, be sure to frequently monitor the battery. Unattended, it could pose a fire hazard.
- If the battery reaches 122° F or more, stop charging.
- Batteries will become hot after running. Continuous use of the battery pack may result in damage to the cells. Allow the battery to cool down before re-charging. Using a battery conditioner after running may prolong the life and performance of the battery.
- Please do not discard old battery packs in the trash. Locate a battery disposal center.

Motor Usage

- Connecting a 7.2V battery directly to the motor can be very dangerous.
- Choose the appropriate gear ratio that matches the motor's power characteristics.
- Using a gear ratio not suited to the characteristics of the motor will not only prevent the motor from performing at its optimum, but may damage the other electronics.
- Motors will generally become very hot after running. Continuous running will reduce the life of the motor. Allow the motor to sufficiently cool between each run.

Instructions

We would like to thank you for purchasing the JEGS Stinger Buggy. Please read the following instructions for best results. This manual contains many useful operating tips. Please hold on to this manual for future references.

Step 1 - Charge the Battery Pack

- Please charge your battery completely before trying to operate the truck.

Step 2 - Install Transmitter Batteries

- Install (4) AA batteries into the transmitter following the polarity directed on the battery tray.

Step 3 - Install and Connect Buggy Battery Pack

- Install your charged battery pack. Secure the battery with the supplied velcro strap. Connect the battery and speed controller plugs. Make sure they are pressed together firmly.

Step 4 - Turn on Transmitter

- Turn on your transmitter by pushing the switch on the left side of the steering wheel to the on position. You will hear a short "beep" when its on and you should see blue LED light stay on the right side of the transmitter. If you hear short beep or beeping please replace your transmitter batteries immediately before operating your vehicle.

Step 5 - Turn on the Buggy

- Start the buggy by activating the on/off switch.
- **Turn the transmitter on before starting the buggy.**

Step 6 - Testing Operation

- Before driving your buggy, make sure everything is operating correctly. Make sure wheels turn left and right and the throttle responds correctly.

Step 7 - Play and Have Fun

- Enjoy your Stinger Buggy.

Equipment

Included Items

- (1) JEGS Electric Radio-Controlled Buggy
- (1) Transmitter [3-Channel]

Required Items [Not Included]

- (4) AA Batteries
- (1) NiMH [7.4 Volt] or Li-Po [2-Cell] Battery
- Deans Connector Plug
- 4500mAh/50C [Minimum]
- (1) Battery Charger
- Gear Grease
- Shock Oil [Silicone]
- Threadlocker

Tools

- The following tools are necessary to make assembly & maintenance of your Stinger Buggy. Both easier & more enjoyable. For your safety, exercise care when using any hand tools, sharp instruments, or power tools during construction. Always use safety glasses.



2.0 mm
Allen Wrench

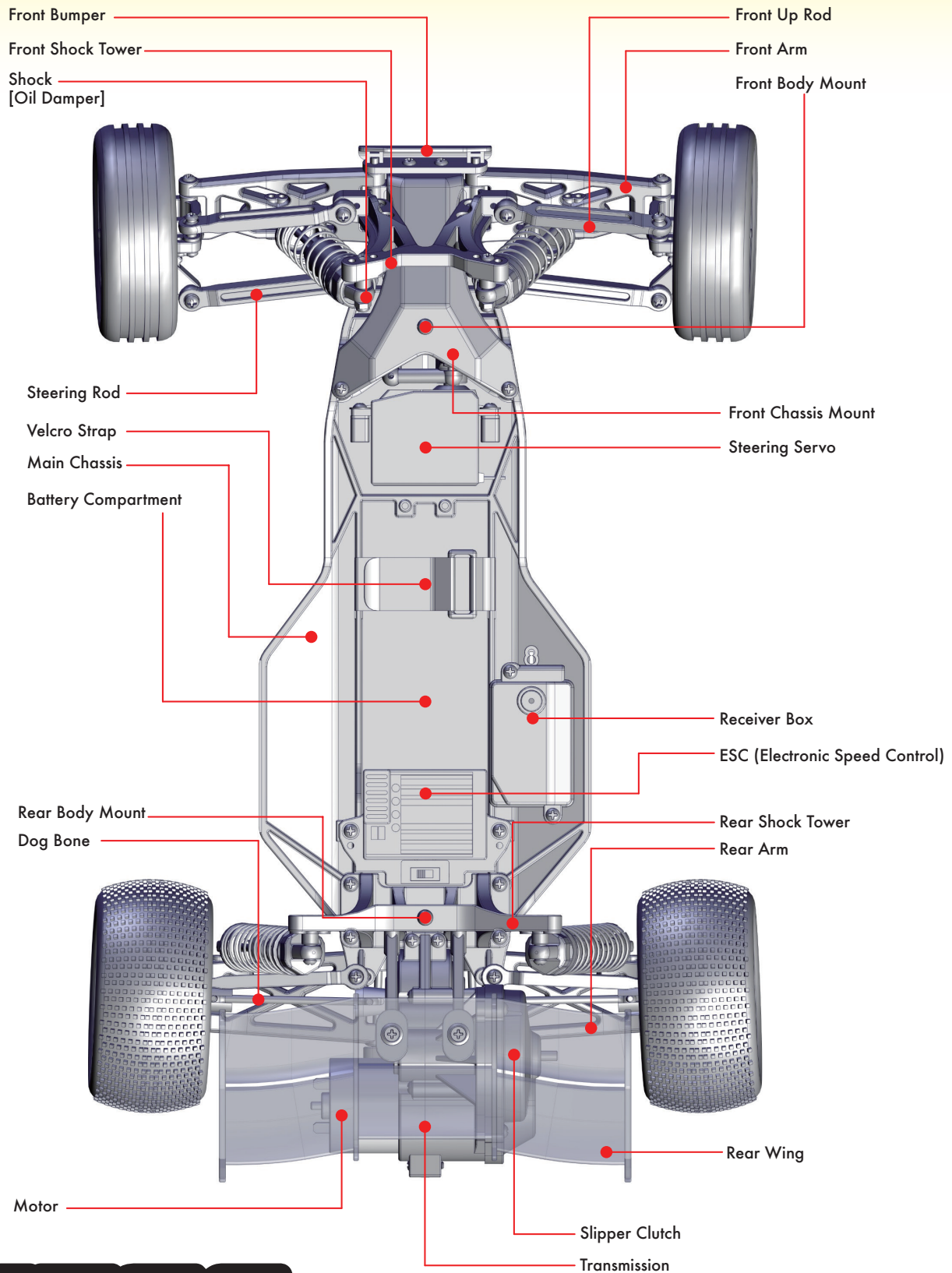


Socket
Wrench

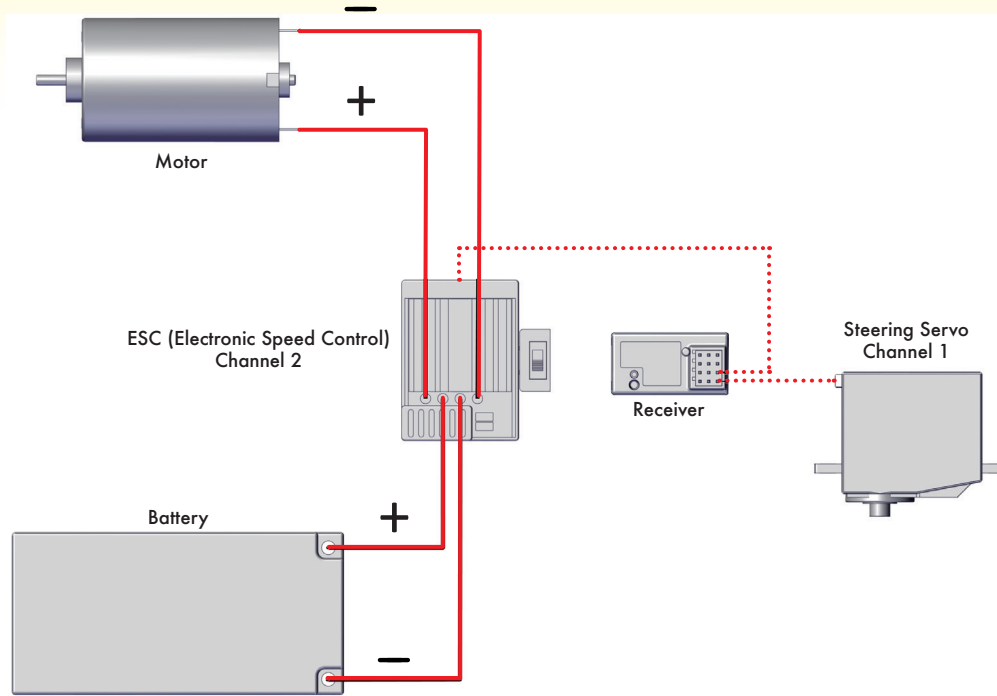


Philips Screwdriver
(Not Included)

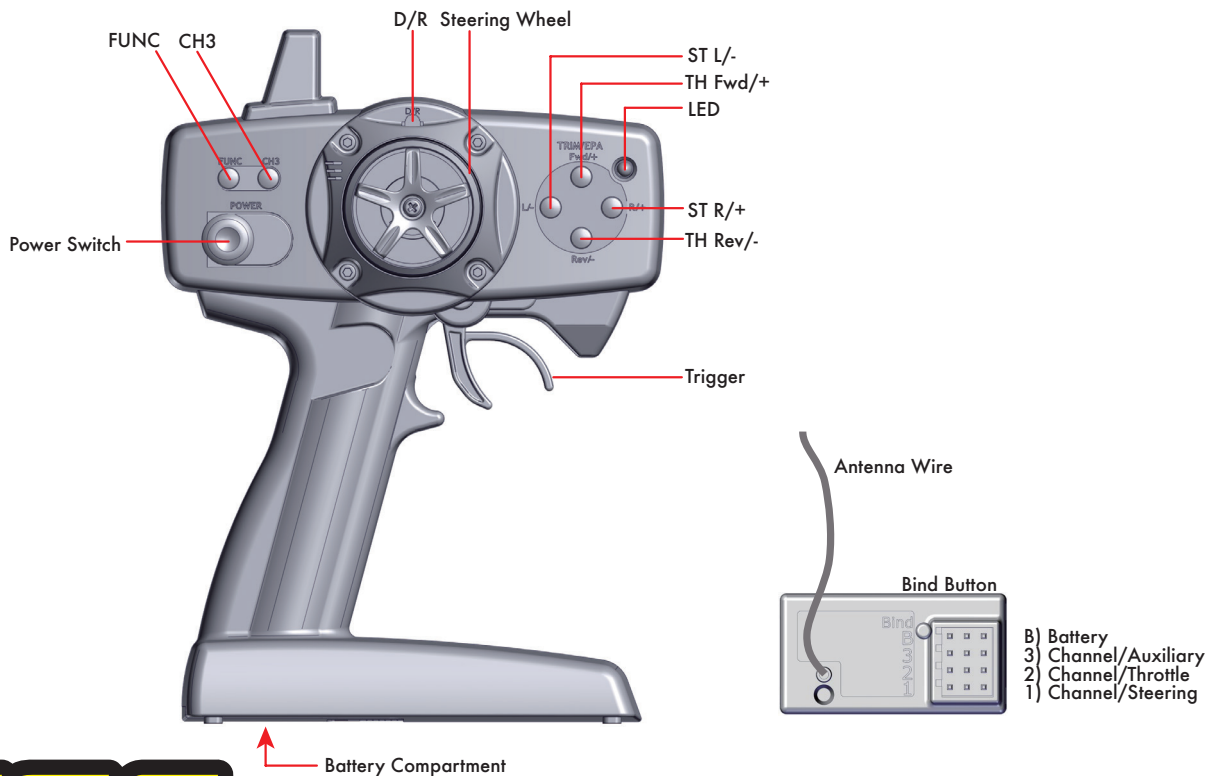
Component Breakdown



Electronic System

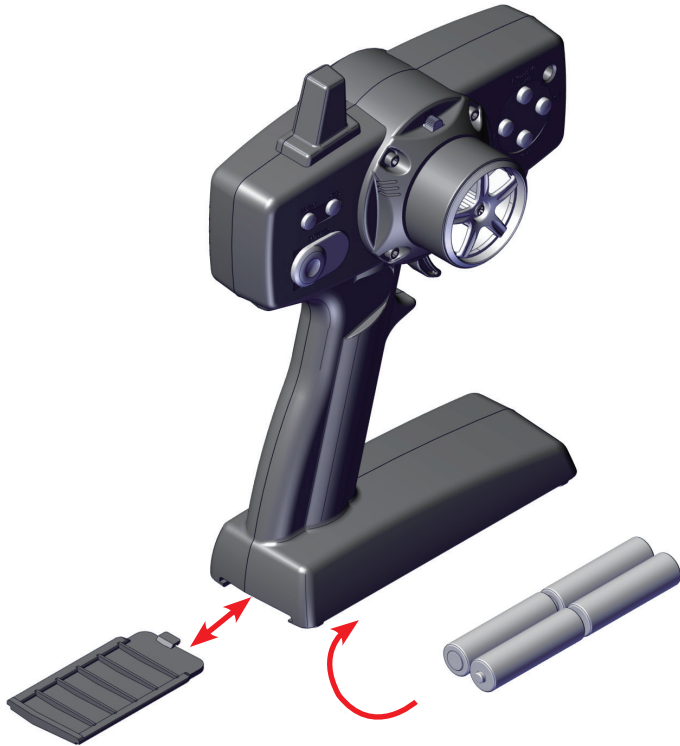


2.4G Radio Control System



Install Batteries

1. Remove the battery cover from the transmitter
2. Install 4 AA alkaline dry cell batteries
3. Insert the 4 AA batteries according to the polarity
4. Replace the battery cover



Receiver Binding

1. Press and hold the "binding button" on the receiver
2. While holding the binding button, turn the vehicle power switch to On
3. The LED of the receiver will blink indicating that it is searching for a transmitter to bind with
4. Turn the transmitter power switch to On
5. Once the transmitter and the receiver are bound together, the receiver's LED light will turn solid
6. This may take up to 30 seconds, otherwise, repeat step 1 to 5.

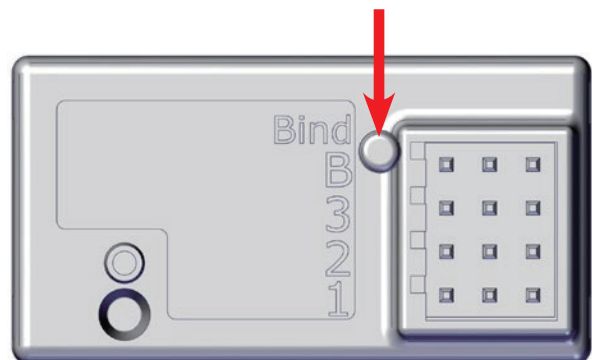
Fail-Safe Adjustment

1. Press and hold the receiver binding button until the LED light flashes
2. Adjust the throttle trigger and steering wheel to adjust the position
3. Press the binding button to program. Once the positions have been programmed, the LED light will flash and stay solid

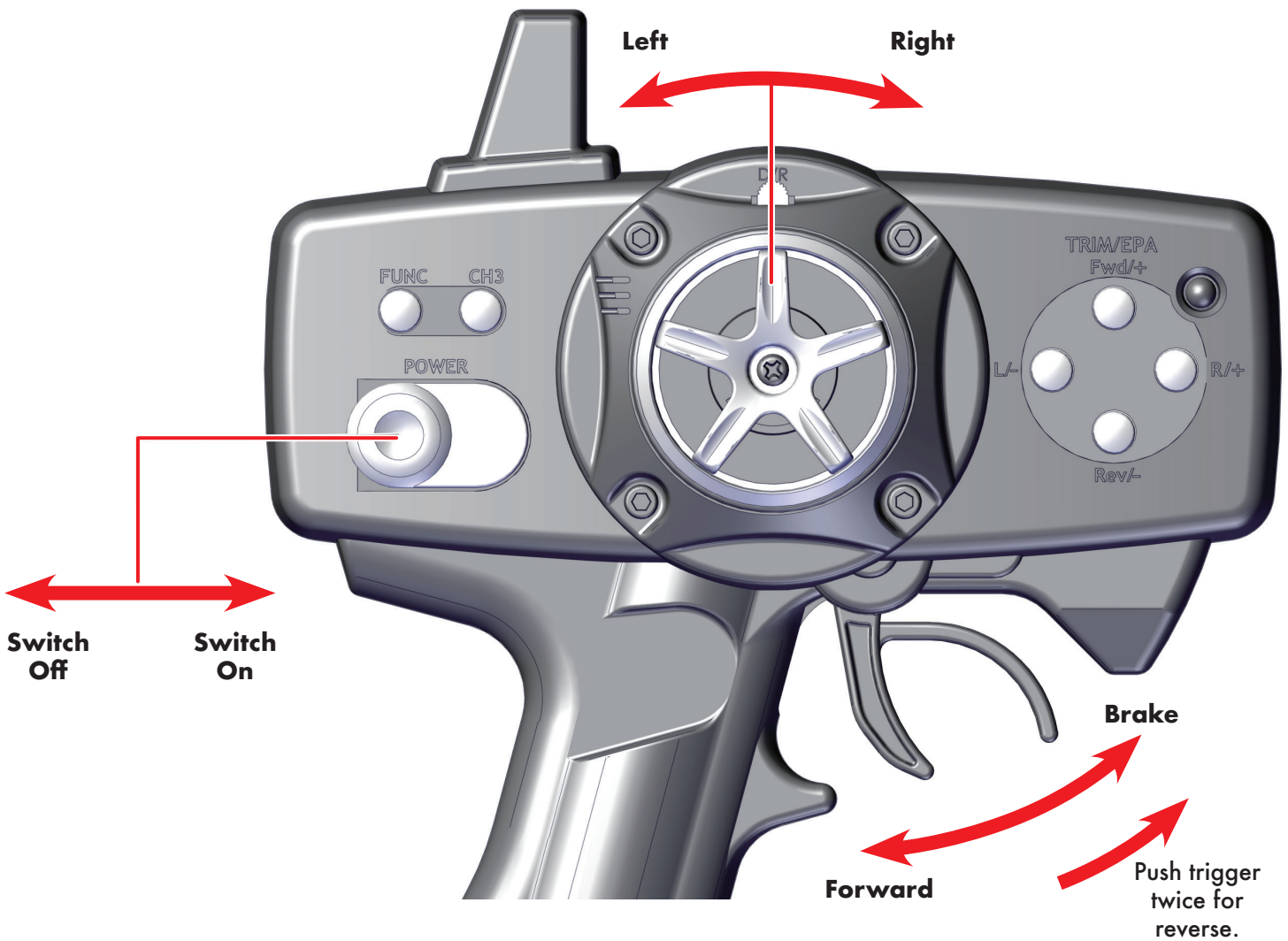
Power Alarm

1. No Activity Alarm: When the steering wheel (ST), throttle trigger (TH) or any button is not operated for 15 minutes, a slow beeping alarm will sound to indicate that the power should be turned off.
2. Low Battery Voltage Alarm: A quick beeping alarm sounds and the power LED light will blink.

Bind Button

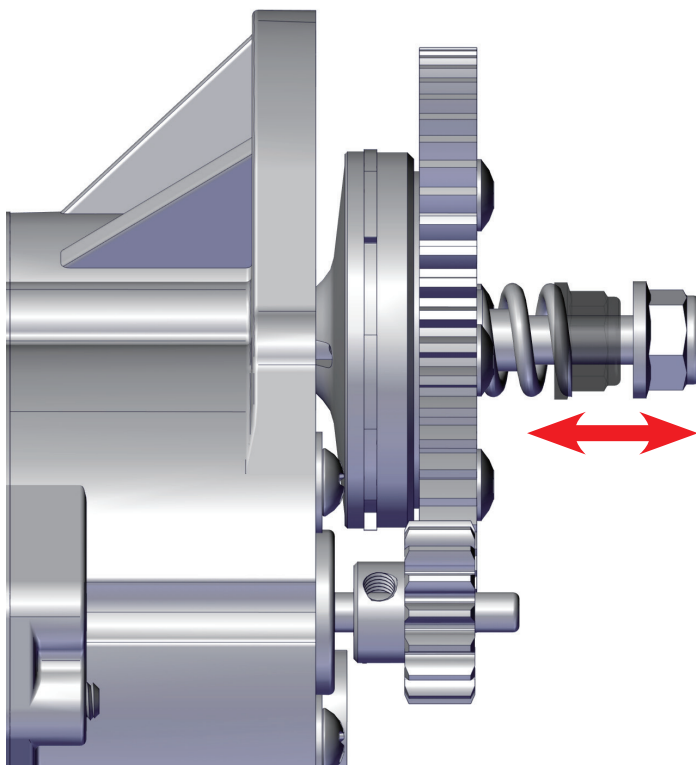
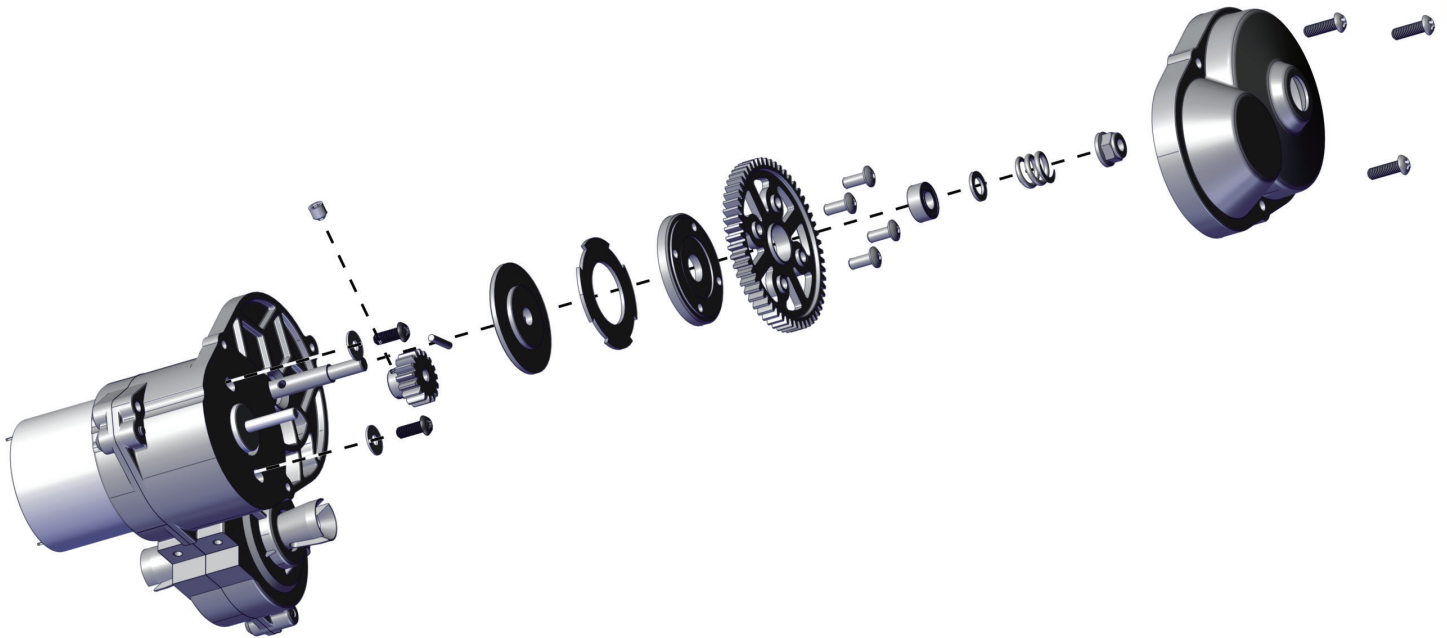


Basic Operation



**For more transmitter details,
please refer to the JEGS 30 user manual.**

Slipper Clutch System



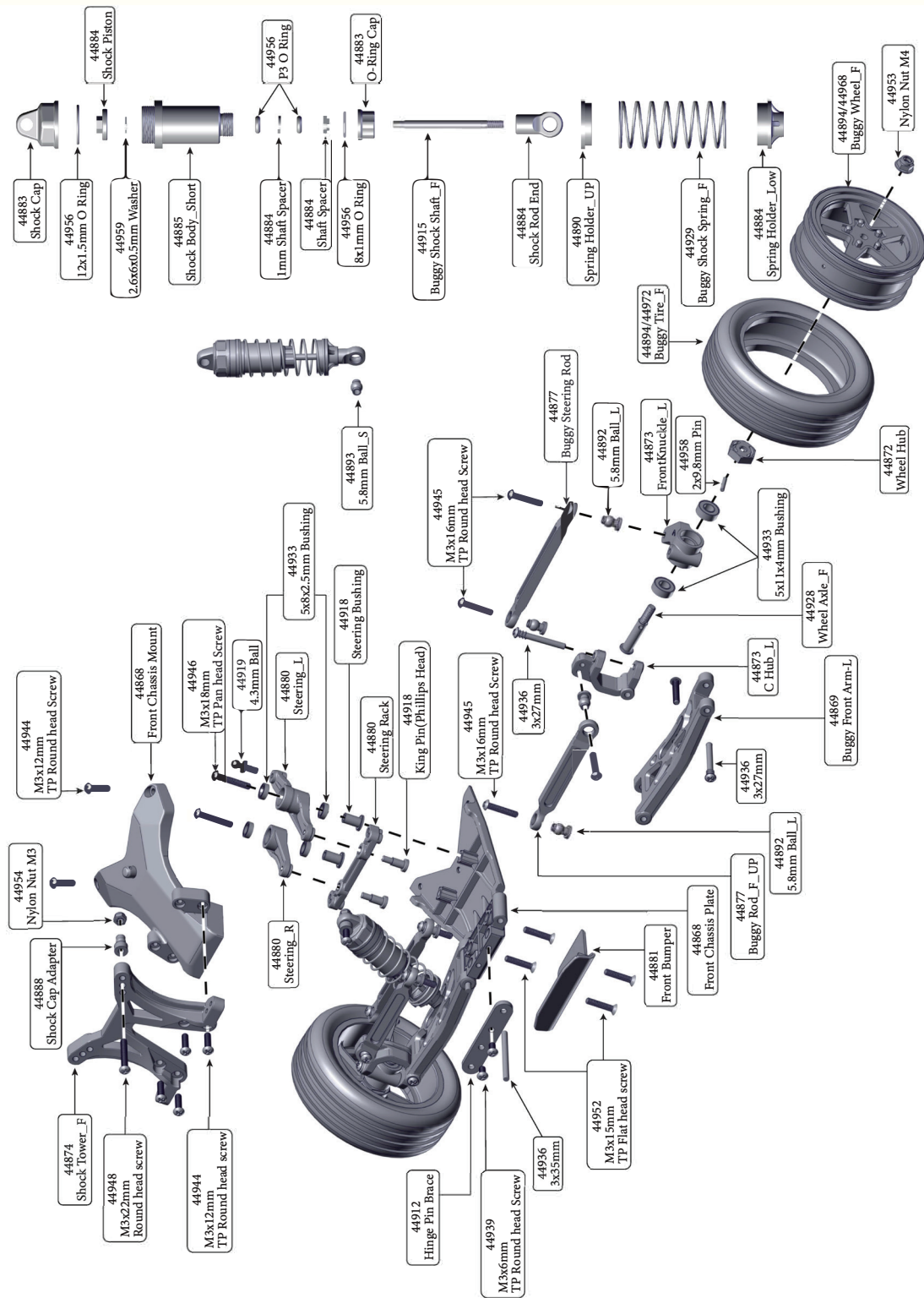
The base factory setting is a starting point to allow enough slippage to protect your drivetrain from heavy throttle loads.

Do not set the slipper clutch too tight as this may damage the transmission. If set too loose, the Stinger will have a lack of performance which may result in damaging the slipper clutch system.

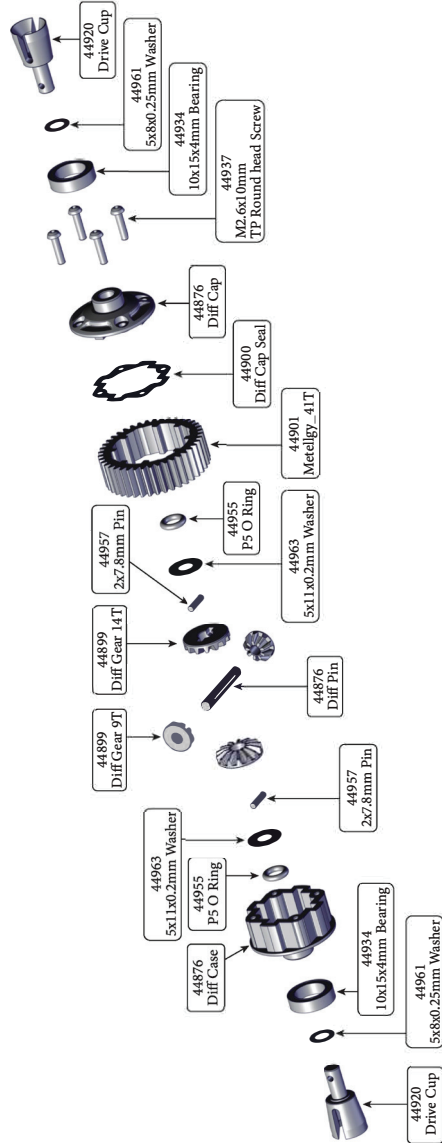
Recommended Slipper Clutch Adjustment:

- First, place the 2.0mm Allen wrench tool (included) into the center drive cup horizontally through the drive cup where the dog bone pin sits and hold by hand to lock the transmission.
- Second, tighten the slipper adjustment nut in a clockwise rotation by using 7mm hex driver or the 4-way-tool (included) until it stops then loosen it counter-clockwise by 1 turn.
- Once the initial adjustment has been done, tighten or loosen your slipper no more than $\frac{1}{8}$ of a turn at a time and test again to obtain your optimal slippage for your application.

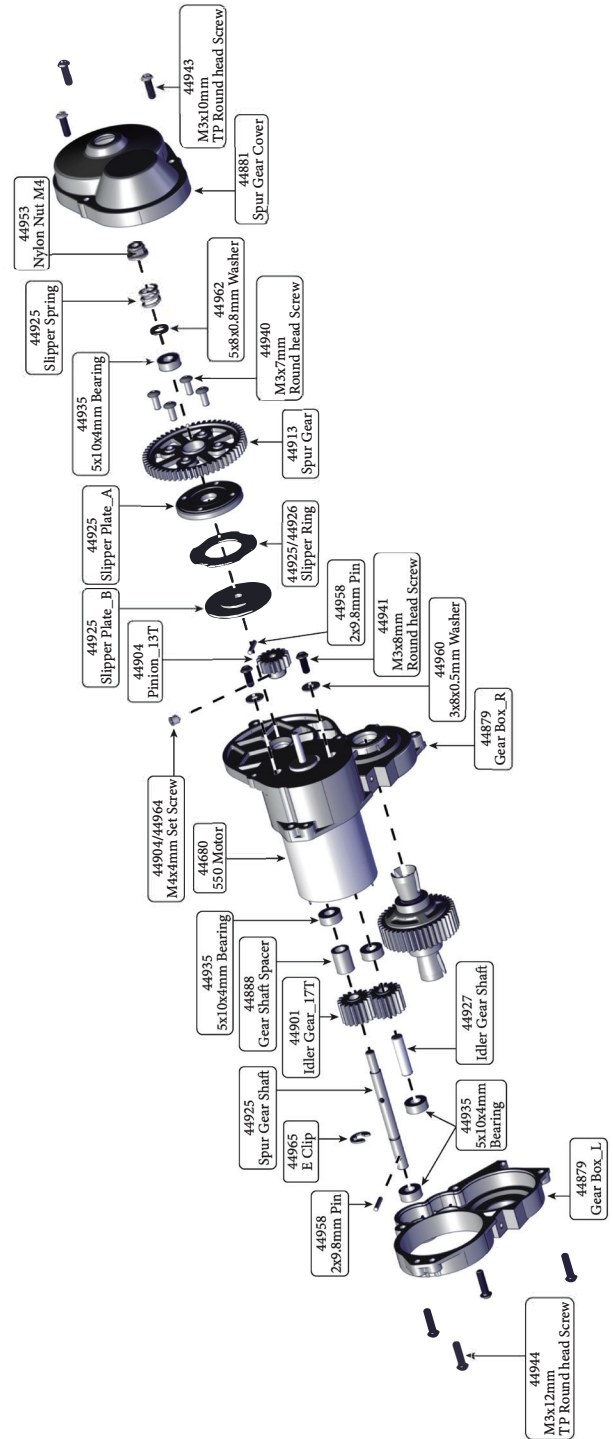
Front End Exploded View



Differential Exploded View



Gearbox Exploded View





Warranty

JEGS guarantees your new Stinger Buggy to be free from defects and workmanship for a period 60 days from date of purchase. The date of purchase must be verified by the date on the sales receipt.

This warranty covers defects in material and workmanship only. Problems that arise from normal wear, abuse, neglect, or any damage that arises as a result of improper

use, incorrect batteries, overheating are not covered by this warranty. The warranty also does not cover any problems resulting from crashes.

JEGS is not liable for any loss or damages resulting from the use or misuse of this product or any of the accessories or chemicals related to the use of this product.

JEGS.com

1-800-345-4545

JEGS 2022 Version 01