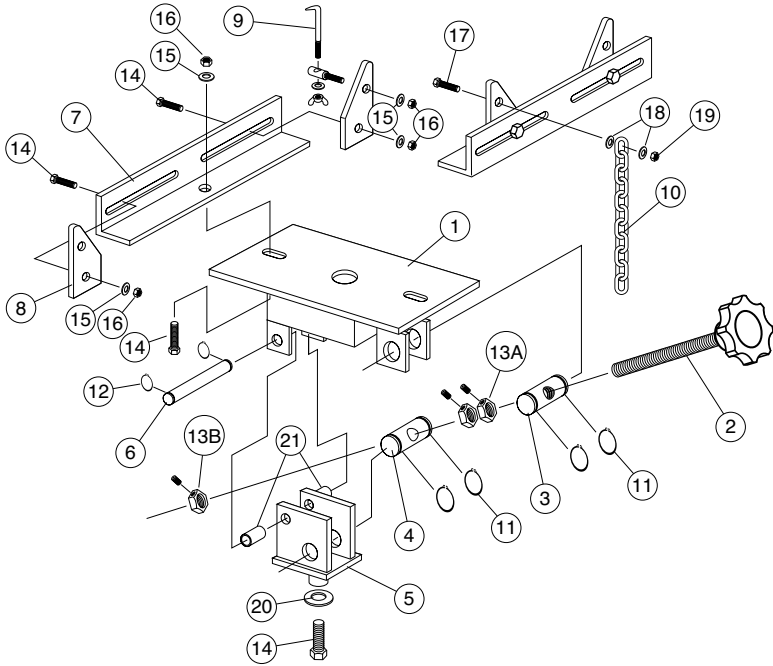




## Parts List - 555-80114



Part #	Description	Qty.	Part #	Description	Qty.
1	Platform	1	12	Small Snap Ring	2
2	Adjustable Tilt Knob	1	13	Lock Nut with Set Screw	3
3	Threaded Bushing	1	14	M10 x 25 Bolt	7
4	Non-Threaded Bushing	1	15	M10 Washer	7
5	Pivot Frame	1	16	M10 Nut	7
6	Pivot Pin	1	17	M8 x 25 Bolt	1
7	Mounting Bracket Frame	2	18	M8 Washer	2
8	Mounting Bracket	4	19	M8 Nut	1
9	Chain Hook Assembly	1	20	Large Retaining Washer	1
10	Safety Chain	1	21	Spacer	2
11	Large Snap Ring	4			