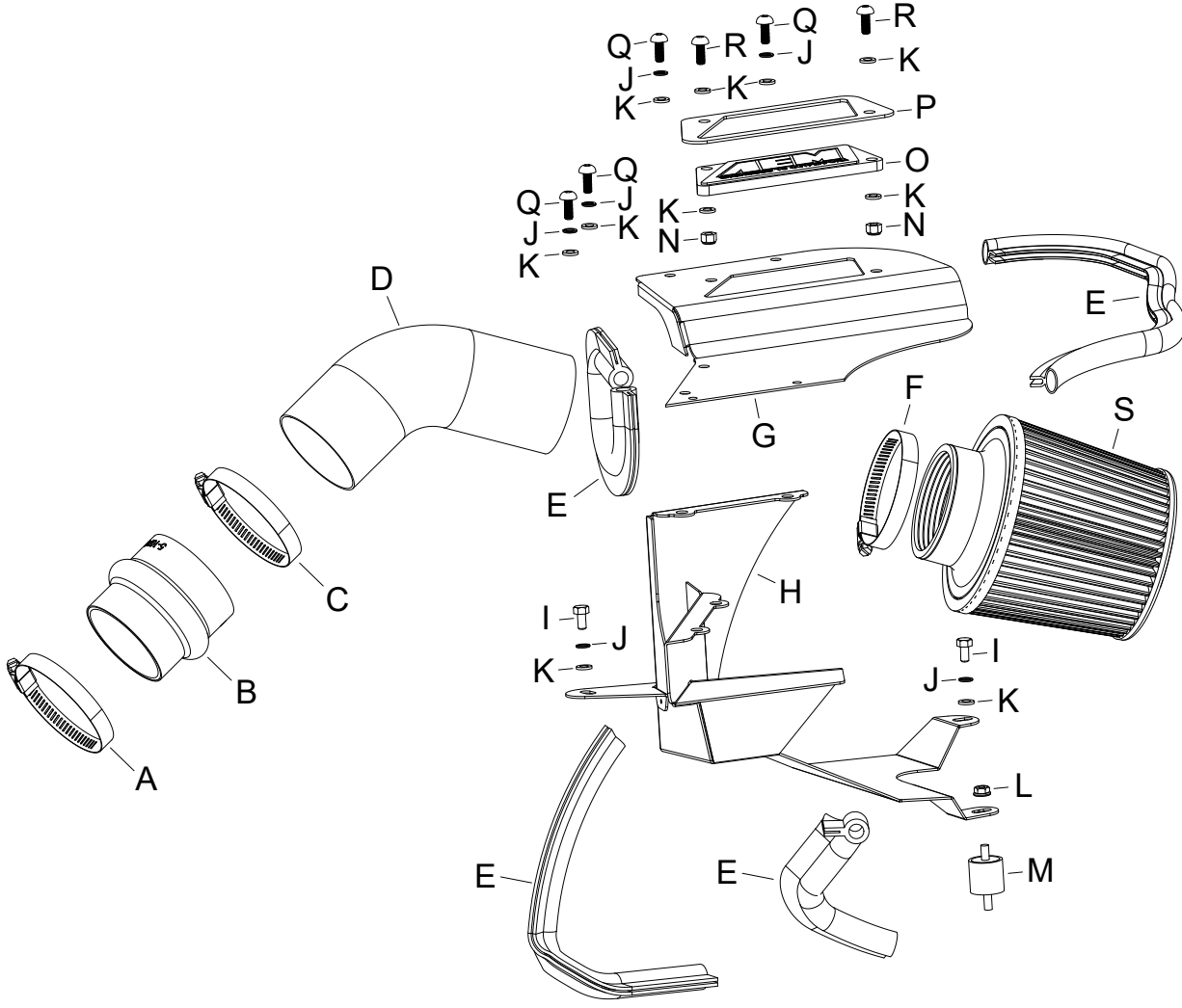


21-869C
HYUNDAI
2018-19 Elantra
L4-2.0L



PARTS LIST:

Description	Qty.	Part #
A HOSE CLAMP; #44	1	08577
B HOSE; HUMP 3" TO 2.75" X 3"L	1	08421
C HOSE CLAMP; #48	1	08601
D TUBE; 3.0"OD X 9"L, AL	1	25824C
E EDGE TRIM; 3/4" BULB, TOP	1	102480A
F 1/2" BNDHOSE CLAMP, 2.90"	1	9452
G LID; AEM-21-869, MILD STL.	1	073291
H HEAT SHIELD; MILD STL.	1	073290
I BOLT; M6 X 1.00 X 12MM, SS	2	07727
J WASHER; M6 SPLIT LOCK ZINC	6	1-3025
K WASHER; 6MM FLAT, SS	10	08269
L NUT; M6, HEX, SERRATED	1	444.460.04
M MOUNT, RUBBER 1" X 6MM	1	1228599
N NUT; 6MM NYLOCK, HEXHEAD	2	07512
O PLATE; AEM LOGO, CLEAR	1	8-211
P SPACER; ALUM, CLEAR BADGE	1	7-364
Q BOLT; M6 X 1.00" 12MM, SS	4	07794
R SCREW; M6 X 20MM, BUTTON	2	KIT20BHC3060
S AIR FILTER; 3" X 5" DRYFLOW	1	21-203DK