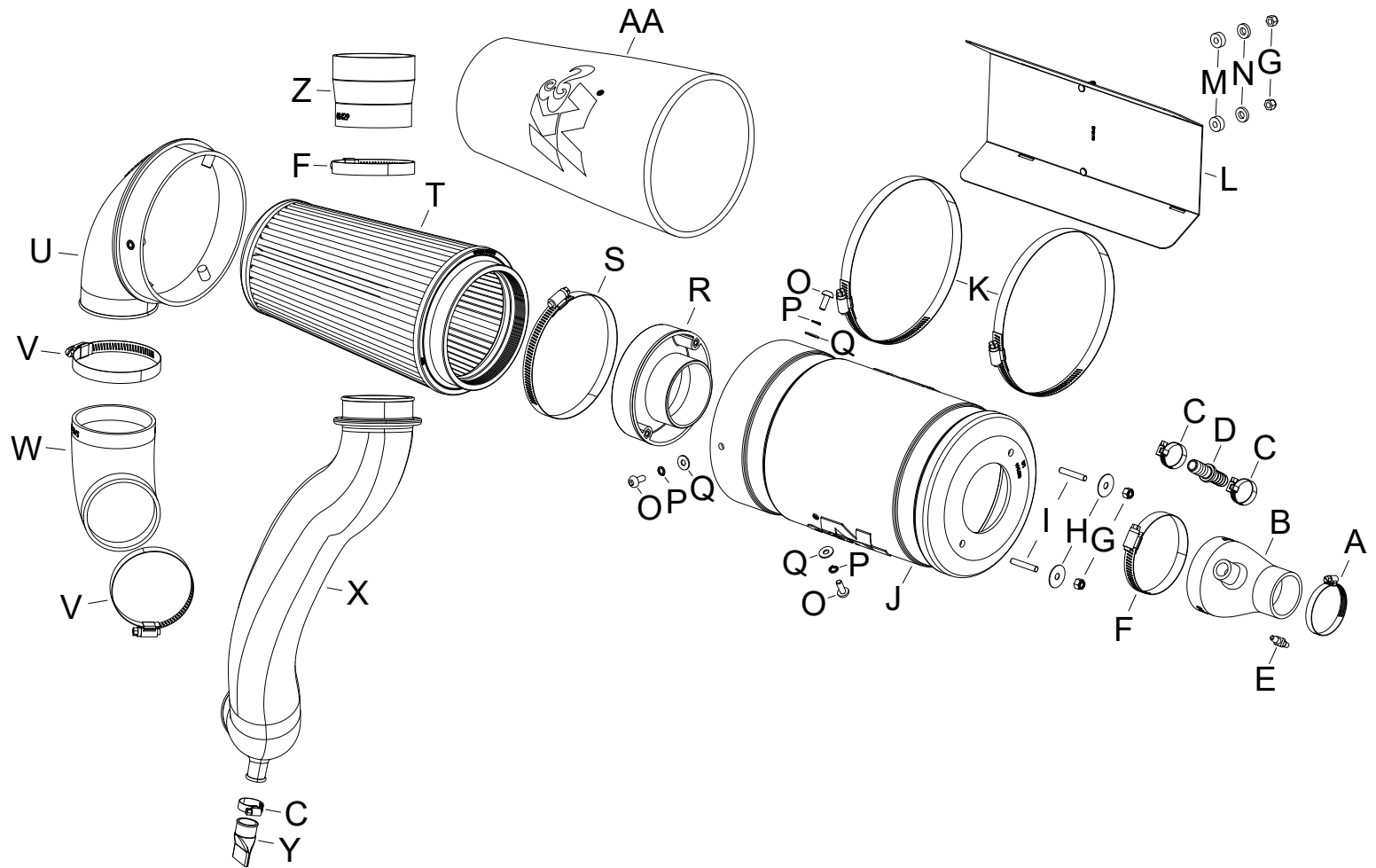




57-1141
CAN-AM
2017-19 Maverick X3 Turbo R
900CC Turbo

PARTS BREAKDOWN



Description	Qty.	Part #	Description	Qty.	Part #	Description	Qty.	Part #
A HOSE CLAMP; #28	1	08483	J CANNISTER; 63-1140, LQ,HDPE	1	087344A	S HOSE CLAMP; #80	1	08694
B HOSE; 1-3/4"ID TO 3"ID X 4-5/8"	1	084103	K HOSE CLAMP; #116	2	08647	T FILTER CHARGER	1	RU-5065XD
C HOSE CLAMP; #10 MINI	3	08411	L BRACKET; 63-1141, MILD STL	1	064348	U LID; 63-1141, LY, XLHDPE	1	087351A
D HOSE MENDER; 5/8" BARBED	1	08048	M SPACER: .625" OD X .250"ID	2	06555	V HOSE CLAMP; #52	2	08610
E HOSE MENDER; 3/16" X 3/16"	1	08703	N WASHER; 1/4"ID X 5/8"OD	2	08275	W HOSE; 3"ID TO 3-1/4"ID, 90	1	084102
F HOSE CLAMP; #48	2	08601	O BOLT; M5 X .8 X 12MM	3	07734	X TUBE; FIPK 63-1141, LX, HDPE	1	087350A
G NUT; 6MM NYLOCK, HEXHEAD	4	07512	P WASHER, M5 SPLIT LOCK ZINC	3	07724	Y HOSE; DUCK BILL	1	08666
H WASHER; 1"D X 1/4 HOLE	2	08160	Q WASHER; 6MM FLAT, SS	3	08212	Z HOSE; 3-1/4" TO 3" ID X 3" L	1	08429
I STUD; 6MM-1.00 X 30MM L, SS	2	1-107	R ADAPTER; FILTER, 3.0"OD	1	21569	AA PRE-WRAP; RU-5065XD FOAM	1	973805