



FUEL INJECTION PERFORMANCE KIT

FIPK

GENERATION II™

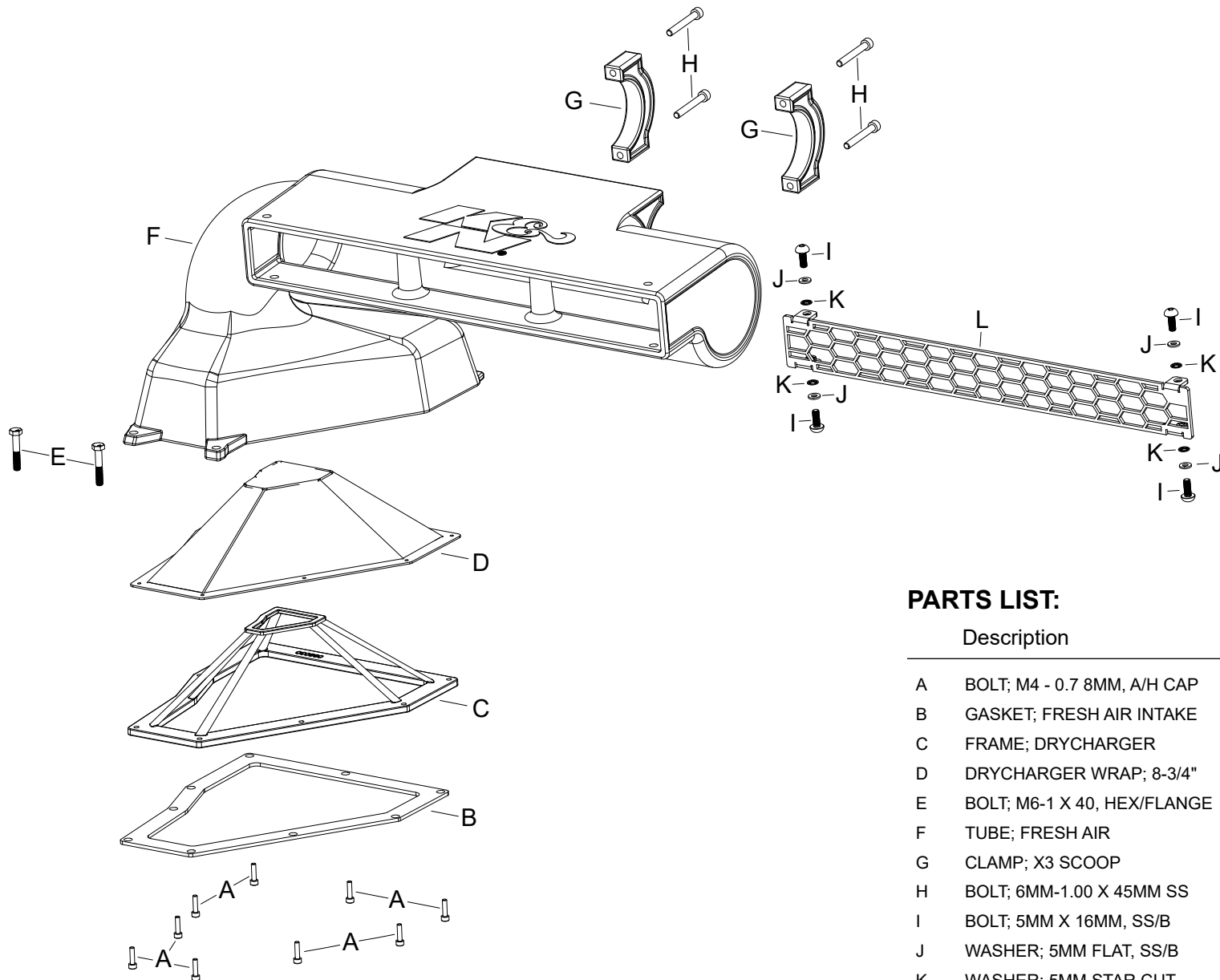
57-1142

CAN-AM

2017-19 Maverick X3

900cc

PARTS BREAKDOWN



PARTS LIST:

	Description	Qty.	Part #
A	BOLT; M4 - 0.7 8MM, A/H CAP	9	07733
B	GASKET; FRESH AIR INTAKE	1	09774
C	FRAME; DRYCHARGER	1	088030
D	DRYCHARGER WRAP; 8-3/4"	1	088030DK
E	BOLT; M6-1 X 40, HEX/FLANGE	2	1-2075
F	TUBE; FRESH AIR	1	087379
G	CLAMP; X3 SCOOP	2	088031
H	BOLT; 6MM-1.00 X 45MM SS	4	08374
I	BOLT; 5MM X 16MM, SS/B	4	22257
J	WASHER; 5MM FLAT, SS/B	4	08344
K	WASHER; 5MM STAR CUT	4	07724
L	INLET MESH; MILD STL	1	073281