

# 63-1581

## JEEP

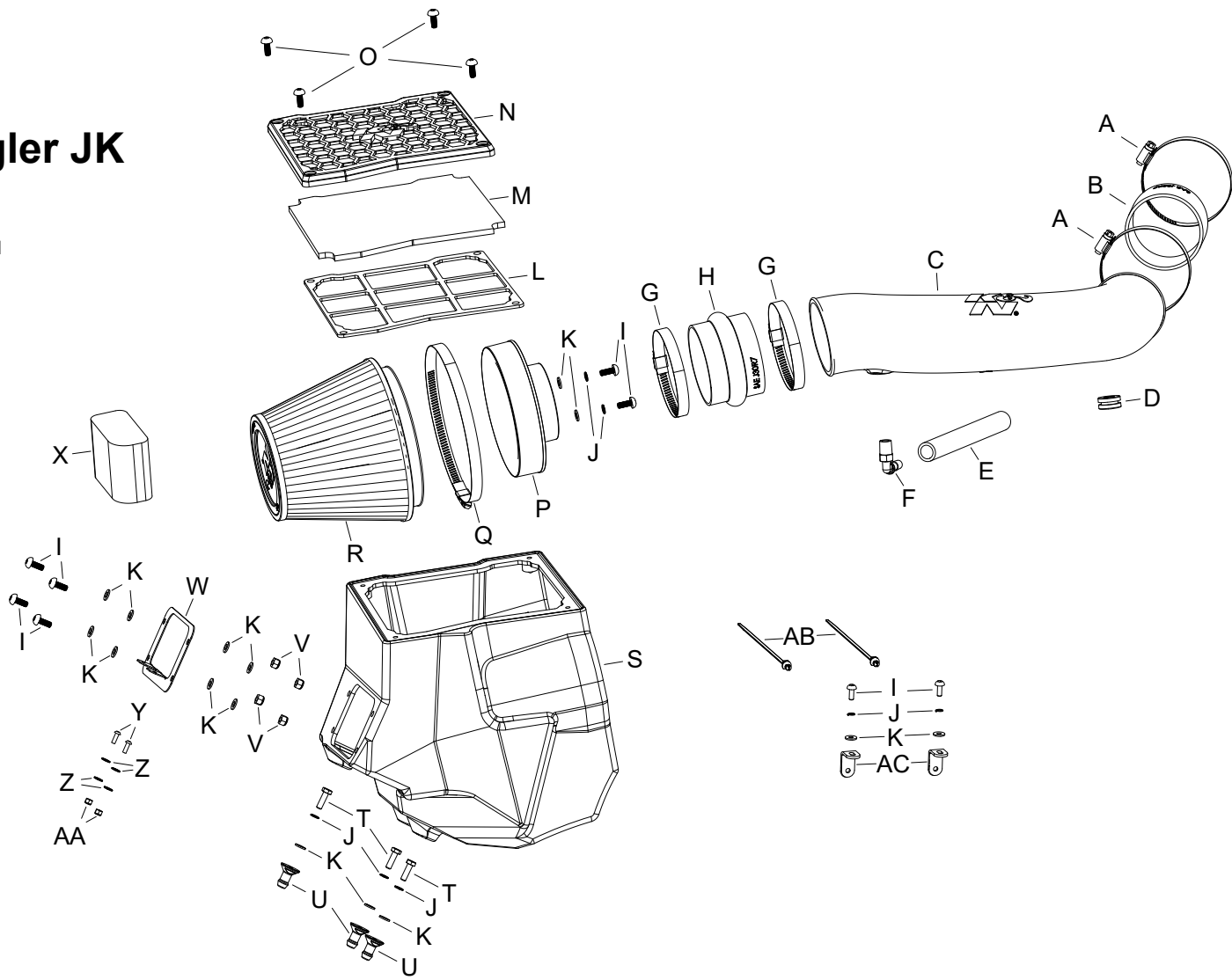
### 2012-18 Wrangler JK

### V6-3.6L

NOTE: This kit was not designed to fit vehicles with a body lift.

#### TOOLS NEEDED:

Ratchet  
 Extension  
 10mm socket  
 7mm socket  
 4mm allen key  
 2.5mm allen key  
 10mm wrench  
 flat blade screw driver  
 side cutters



#### PARTS LIST:

Description	Qty.	Part #	Description	Qty.	Part #	Description	Qty.	Part #
A HOSE CLAMP; #52	2	08610	K WASHER; 6MM FLAT, SS	15	08269	U MOUNT, PLASTIC AIRBOX	3	8-186-1
B HOSE; 3.25"ID X 2"L	1	08690	L FRAME; PRECLEANER	1	088071	V NUT; 6MM NYLOCK, HEXHEAD	4	07512
C TUBE; AIRCHARGER, XLHDPE	1	087312A	M FOAM INSERT	1	971968	W BRACKET; 31%-132, TB/PC	1	KIT132BC
D GROMMET; 1"OD, 1/2"ID, 1/2"	1	08064	N FRAME; PRECLEANER TOP	1	088070	X PLUG; FOAM INSERT, 63-1573	1	971967
E HOSE; 5/8"ID X 14"L	1	084083	O BOLT; 1/4-20 X 1/2" BUTTON	4	07706	Y SCREW; M4-.7 X 12, BUTTON	2	07726
F FITTING; VENT 1/4NPT, 90DEG	1	08525	P ADAPTER; UNIVERSAL, 6"	1	21512-1	Z WASHER; 4MM FLAT	4	08278
G HOSE CLAMP; #56	2	08620	Q HOSE CLAMP; #104	1	08697	AA NUT; 4MM NYLOCK	2	07501
H HOSE; HUMP 3.5"ID X 2.5"L	1	08699	R 6"FLG, 7-1/2"B, 4-1/2"T, 6"H	1	RF-10480	AB ZIP TIE; 8" TREE PUSH-MNT	2	1-127
I BOLT; M6 X 1.00 X 16MM, SS	8	07730	S AIR BOX; AIRCHARGER, MZ	1	087442	AC BRACKET; "L", 69-2521, SML	2	070066A
J WASHER; M6 SPLIT LOCK ZINC	7	1-3025	T BOLT; M6-1.00 X 16MM, SS	3	07812			