



# AIRCHARGER®

## HIGH-FLOW INTAKE KITS

### 63-3117

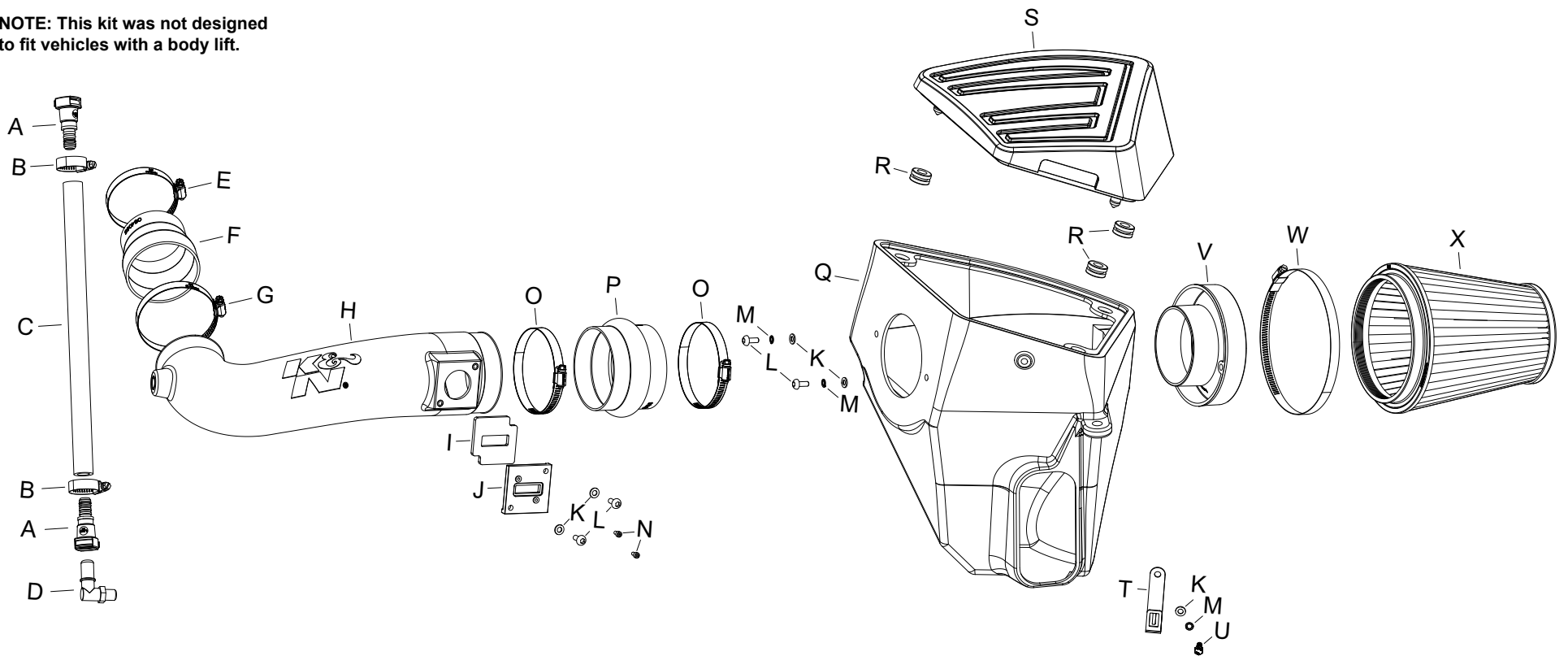
### CHEVROLET / GMC

### 2019-20 Silverado 1500 / Sierra 1500

### V6-4.3L

NOTE: This kit was not designed to fit vehicles with a body lift.

## PARTS BREAKDOWN



### PARTS LIST:

| Description                     | Qty. | Part # | Description                    | Qty. | Part #  | Description                    | Qty. | Part #   |
|---------------------------------|------|--------|--------------------------------|------|---------|--------------------------------|------|----------|
| A VENT; STRT QUICK DISC.        | 2    | 08526  | I GASKET; 57-2556, 3/16" PORON | 1    | 09069   | Q AIRBOX; FIPK, MD, XLHDPE     | 1    | 087419   |
| B HOSE CLAMP #10 MINI           | 2    | 08411  | J ADAPTOR; MAF SENSOR          | 1    | 21515-1 | R GROMMET; 1"OD, 1/2"ID, 1/2"  | 3    | 08064    |
| C HOSE; 5/8"ID X 15"L           | 1    | 5-7015 | K WASHER; 6MM FLAT, SS         | 5    | 08269   | S LID; FIPK, XLHDPE            | 1    | 087420   |
| D VENT; 90"D, 1/4"NPT, TO .600" | 1    | 82633  | L BOLT; M6 X 1.00 X 16MM, SS   | 4    | 07730   | T BRACKET; STL, TB/PC          | 1    | 064358   |
| E HOSE CLAMP #48                | 1    | 08601  | M WASHER, M6 SPLIT LOCK ZINC   | 3    | 1-3025  | U BOLT; M6 X 1.00 X 12MM, SS   | 1    | 07727    |
| F HOSE; 3.5" TO 3"ID X 3"L TPRD | 1    | 084055 | N BOLT; M4-.7 X 8MM, ALLEN, SS | 2    | 07733   | V ADAPTOR; #454                | 1    | 27300    |
| G HOSE CLAMP #56                | 1    | 08620  | O HOSE CLAMP; #64 STAINLESS    | 2    | 08645   | W HOSE CLAMP; #104             | 1    | 08697    |
| H TUBE; AIRCHARGER, XLHDPE      | 1    | 087457 | P HOSE; HUMP 4"ID X 3"L REIN.  | 1    | 08418   | X 6"FLG, 7-1/2"B, 5"T, 7-1/2"H | 1    | RF-10410 |