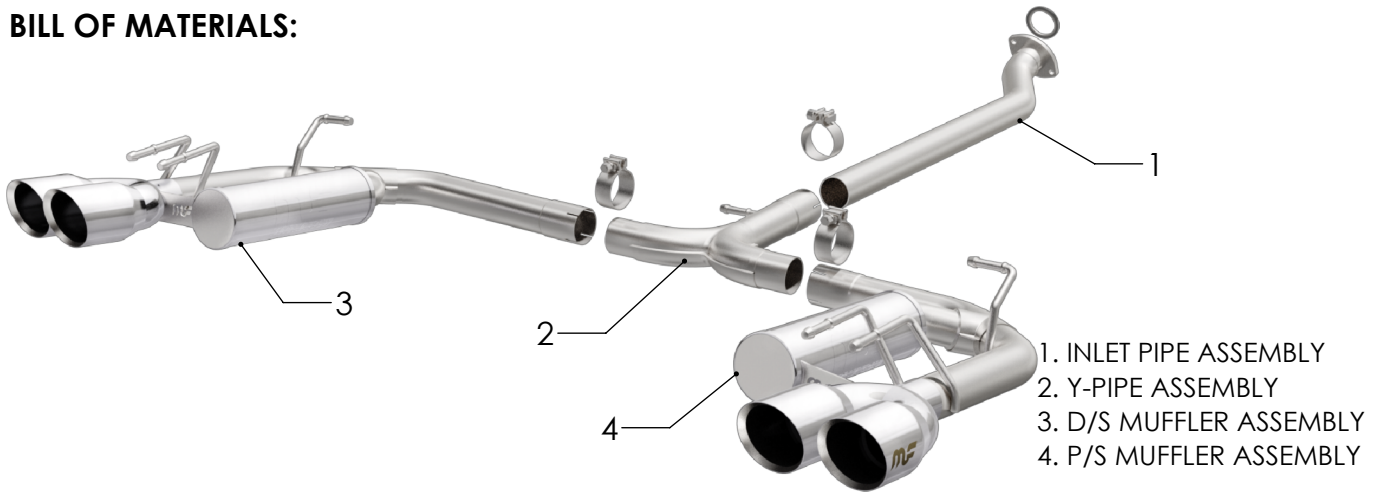


BILL OF MATERIALS:



HARDWARE KIT:

- 1.[3] 2.50" Clamp
- 2.[1] Gasket