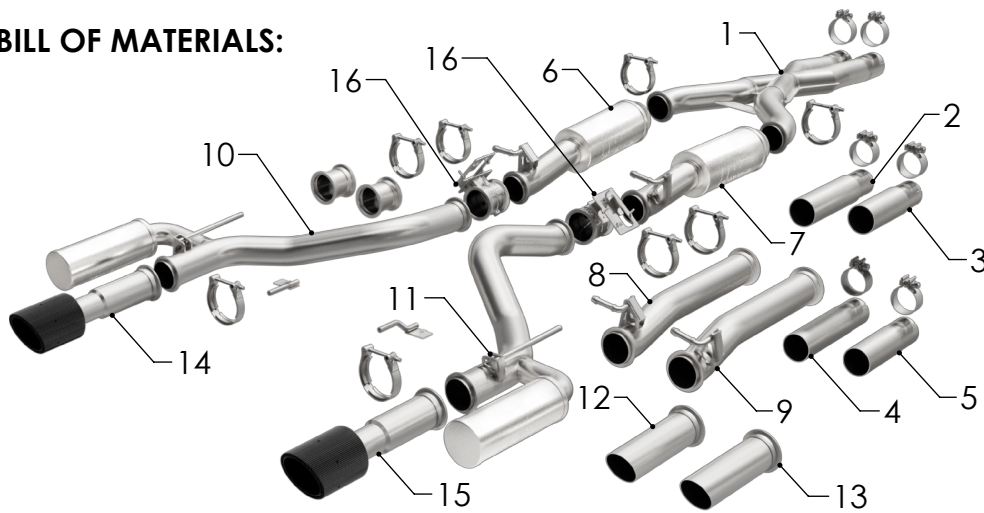


CHRYSLER 300/DODGE CHARGER - PART NO. 19496

BILL OF MATERIALS:



1. X-Pipe Assy
2. D/S 2.50 Inl Pipe
3. P/S 2.50 Inl Pipe
4. D/S 2.75 Inl Pipe
5. P/S 2.75 Inl Pipe
6. D/S Reso Sub Assy
7. P/S Reso Sub Assy
8. D/S Delete Pipe Assy
9. P/S Delete Pipe Assy
10. D/S Mid Pipe Assy
11. P/S Mid Pipe Assy
12. D/S Tail Pipe Assy OEM
13. P/S Tail Pipe Assy OEM
14. D/S Tip Assy
15. P/S Tip Assy
16. MF Valve Assy

HARDWARE KIT:

- 1.[10] 3.00" V-Clamp
- 2.[2] 3.00" Torca Clamp
- 3.[2] 2.75" Torca Clamp
- 4.[2] 2.50" Torca Clamp
- 5.[6] Bolt M5-0.8 x 20mm
- 6.[2] Chrysler 300 Hangers
- 7.[2] Valve Deletes