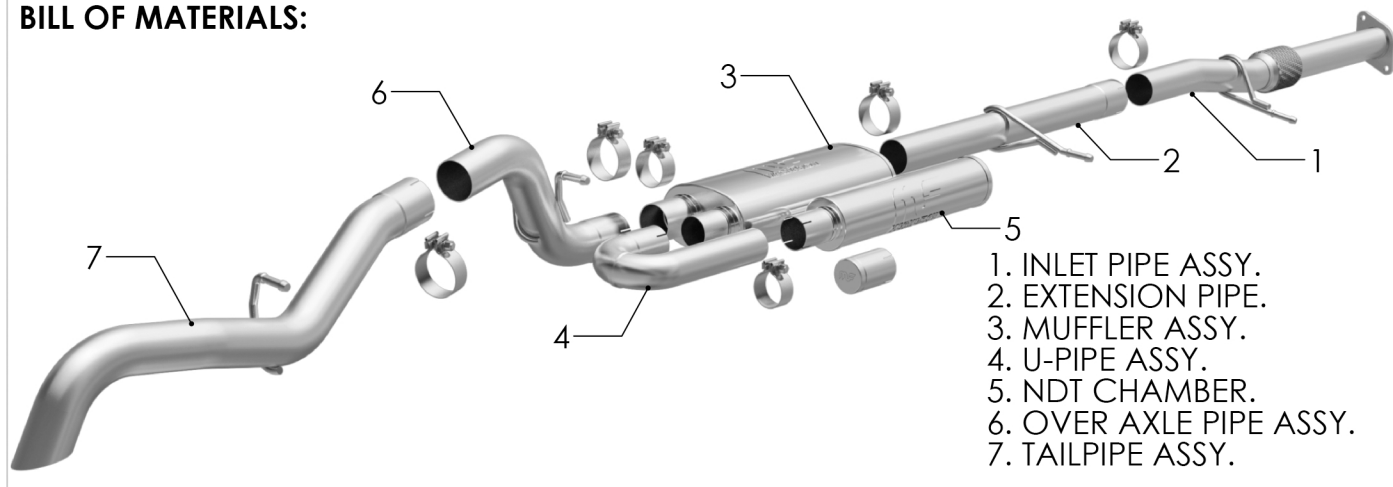


BILL OF MATERIALS:**HARDWARE KIT:**

1. [2] 2.50" Torca Clamp
2. [4] 3.00" Torca Clamp
3. [1] MF Block Off Pipe.