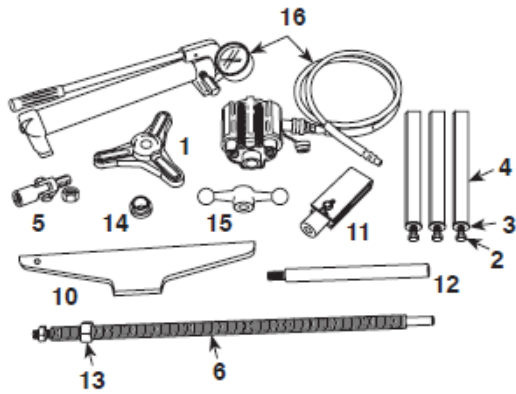


Breakdown of Included Items



Contents of Set No. 1202

(A hydraulically activated version, the No. 1202 Sleeve Puller/Installer Set is designed to remove and install sleeves.)

Item No.	Part No.	No. Req'd	Description
1	37592	1	Three-Way Head
2	10088	3	Cap Screws, Hex Hd.
3	10586	3	Flat Washers
4	27908	3	Risers (13")
5	208675	1	Swivel Assembly
6	32976	1	Pulling Screw
10	41291	1	Installing Bar
11	302340	1	Yoke Assembly
12	33769	1	Screw Extension
13	10221	1	Hex Safety Nut
14	21714	1	Insert
15	302482	1	Speed Nut
16	4180	1	Hydraulic Ram and Pump Assembly