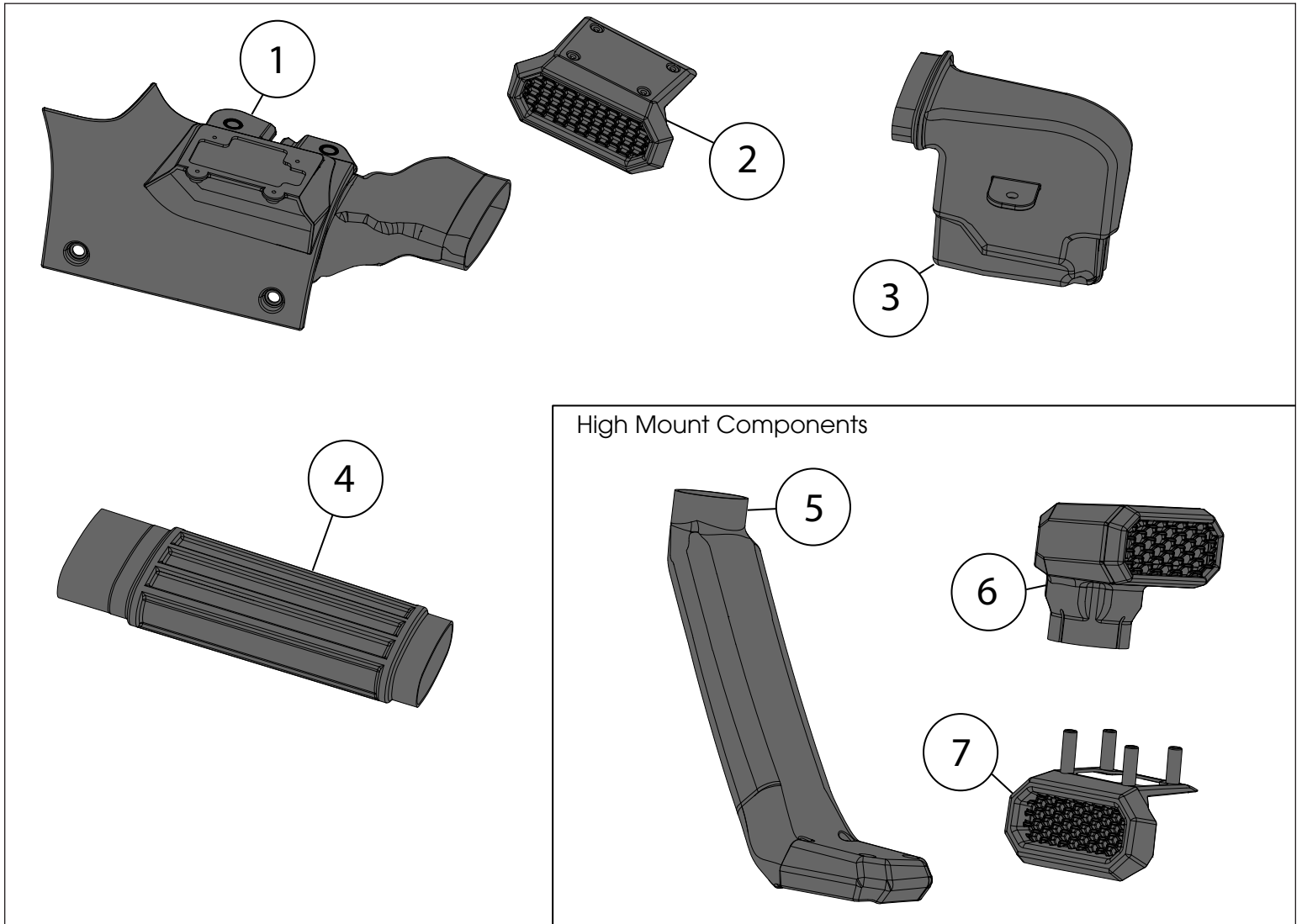
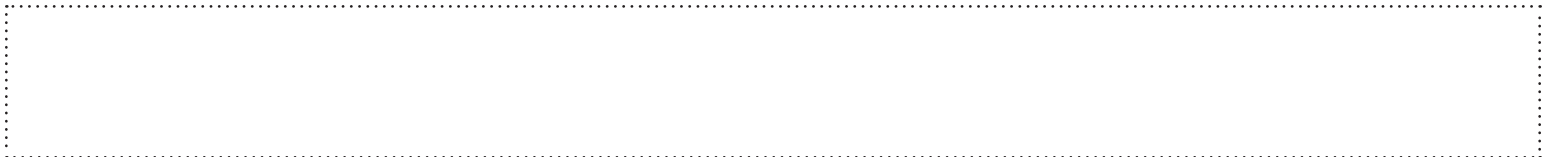


AmFib Snorkel; JL Patent Pending

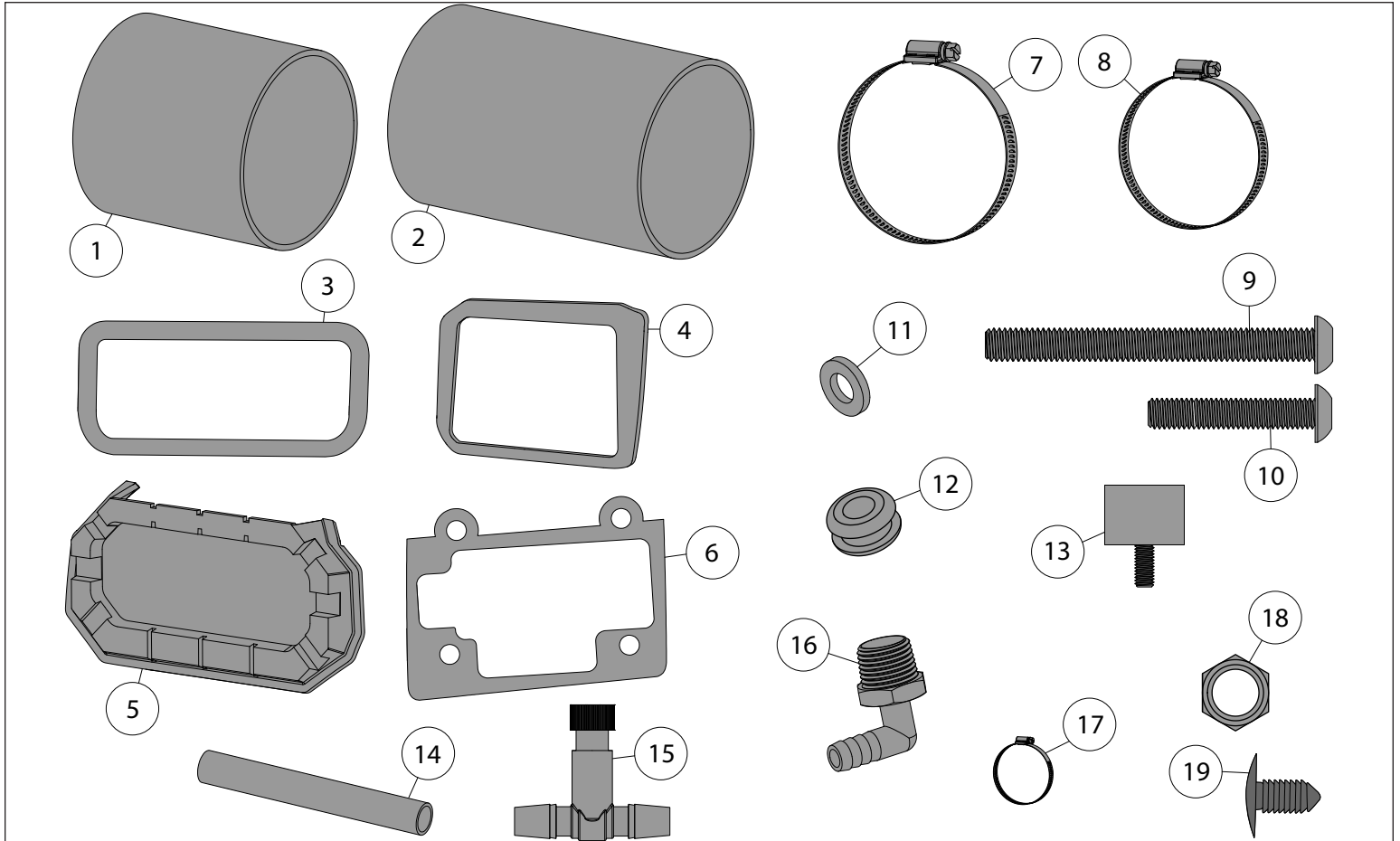


Components

1. Snorkel Inlet	(1)	5. High Mount Tube	(1)
2. Low Mount Cover	(1)	6. Ram Inlet	(1)
3. Air Box Adapter	(1)	7. High Mount Cover	(1)
4. Air Channel	(1)		



AmFib Snorkel; JL Patent Pending



Hardware

1. Short Silicone Coupler	(1)	11. M6 Plastic Washer	(8)
2. Long Silicone Coupler	(1)	12. Push-In Grommet	(1)
3. Air Box Gasket	(1)	13. Rubber Bumper	(1)
4. Top Gasket	(1)	14. Silicon Tube	(1)
5. Molded Gasket	(1)	15. Drain Valve	(1)
6. Adhesive Backed Gasket	(1)	16. Nylon Fitting	(1)
7. 5in Clamp	(4)	17. Fitting Nut	(1)
8. 3in Clamp	(1)	18. 1in Clamp	(2)
9. Long M6 Button Head Bolt	(4)	19. Push Rivets	(4)
10. Short M6 Button Head Bolt	(4)		