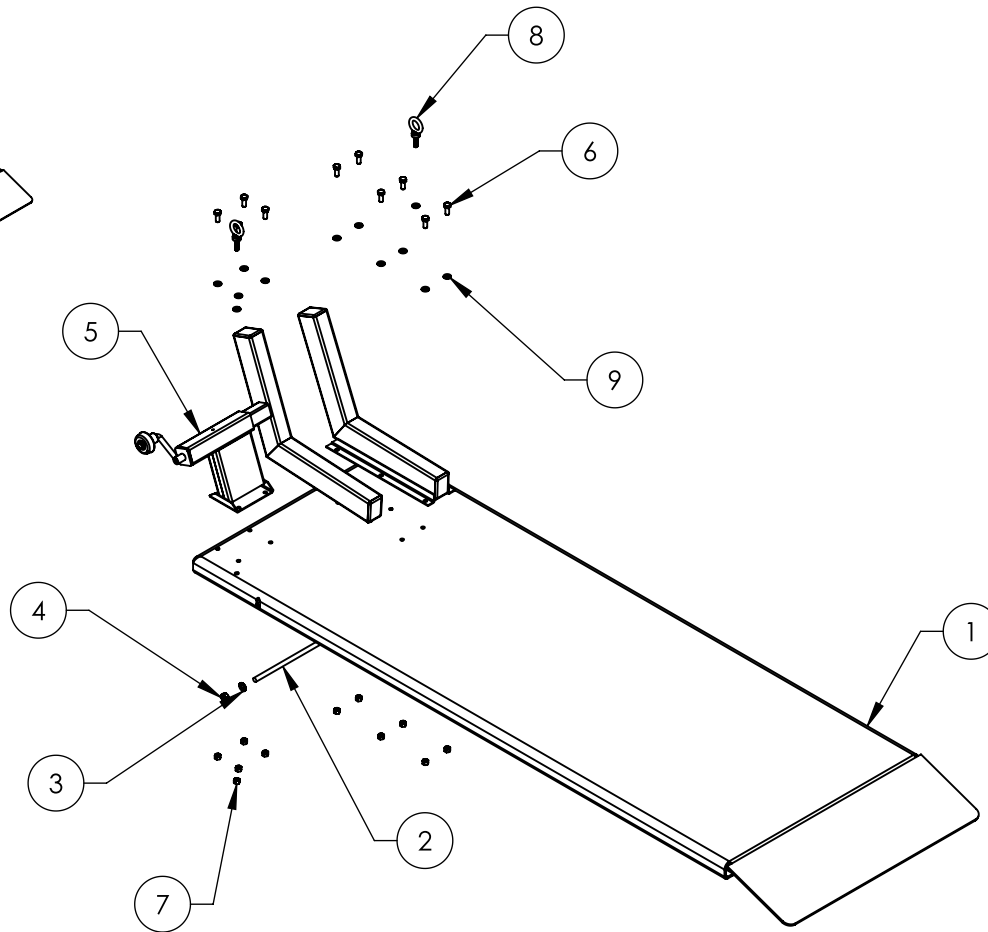


ISOMETRIC VIEW
FOR REFERENCE ONLY
DO NOT SCALE



ITEM NO	PART NUMBER	DESCRIPTION	QTY	REV
1	5701523	BL-3500/5000SLX MOTORCYCLE RAMP	1	C
2	5746440	DOUBLE THREADED ROD M12 x 1.75 x 748	1	A
3	5545347	WASHER, M12 FLAT WASHER	2	-
4	5535354	NUT M12 x 1.75	2	-
5	5323219	WHEEL VISE ASSEMBLY	1	-
6	5530738	HHB M10 x 1.5 x 25	10	-
7	5535013	NUT M10 x 1.5 NL	12	-
8	5530788	EYE M10 x 1.5 x 28 ID	2	-
9	5545341	WASHER M10 x Ø20 FLAT	12	-

NAME

MOTORCYCLE ADAPTER KIT