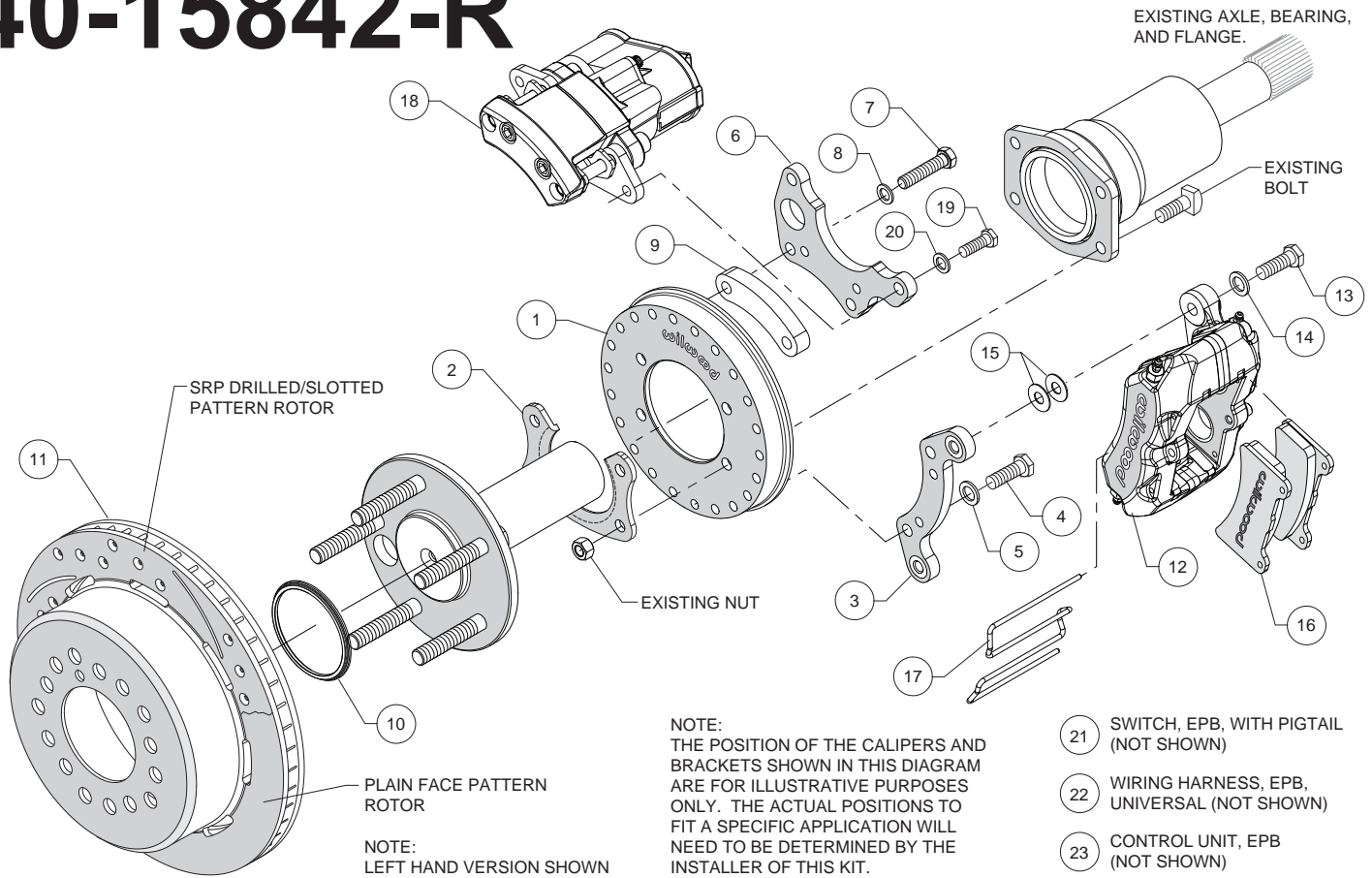


# Parts Breakdown

## 140-15842-R



### Parts List

| ITEM NO. | PART NO.        | DESCRIPTION  | QTY |
|----------|-----------------|--|-----|
| 1        | 250-15858       | Backing Plate  | 2   |
| 2        | 250-11223       | Retainer, Bearing  | 2   |
| 3        | 250-15847       | Bracket, Mounting, Service Caliper                               | 2   |
| 4        | 230-10195       | Bolt, 3/8-16 x 1.25 Long, Hex Head                               | 4   |
| 5        | 240-10190       | Washer, .391 I.D. x .625 O.D. x .063 Thick                       | 4   |
| 6        | 250-15849       | Bracket, Mounting, EPB Caliper                                   | 2   |
| 7        | 230-10331       | Bolt, 3/8-16 x 1.75 Long, Hex Head                               | 4   |
| 8        | 240-10190       | Washer, .391 I.D. x .625 O.D. x .063 Thick                       | 4   |
| 9        | 300-16065       | Spacer, .525 Long  | 2   |
| 10       | 300-11337       | Adapter, Rotor Registration                                      | 2   |
| 11       | 160-11365       | Rotor, ULHP, .81" x 11.00" Dia.                                  | 2   |
| 11A      | 160-11376/77-BK | Rotor, Black, SRP Drilled and Slotted (one each, right and left) | 2   |
| 12       | 120-12160-BK    | Caliper, Forged DynaPro, Low-Profile, Black                      | 2   |
| 12A      | 120-12160-RD    | Caliper, Forged DynaPro, Low-Profile, Red                        | 2   |
| 13       | 230-10025       | Bolt, 3/8-24 x 1.25 Long, Hex Head                               | 4   |
| 14       | 240-10190       | Washer, .391 I.D. x .625 O.D. x .063 Thick                       | 4   |
| 15       | 240-1159        | Shim, .035 Thick   | 16  |
| 16       | 150-11363K      | Pad, BP-10 Compound, Axle Set                                    | 1   |
| 17       | 300-9636        | Pad Clip Retainer  | 2   |
| 18       | 120-15700/01-BK | Caliper, EPB, Black (right and left hand)                        | 2   |
| 18A      | 120-15700/01-RD | Caliper, EPB, Red (right and left hand)                          | 2   |
| 19       | 230-15836       | Bolt, 3/8-24 x .875 Long, Hex Head                               | 4   |
| 20       | 240-10190       | Washer, .391 I.D. x .625 O.D. x .063 Thick                       | 4   |
| 21       | 300-15724       | Switch, EPB, with Pigtail (not shown)                            | 1   |
| 22       | 610-15588       | EPB Wiring Harness, Universal (not shown)                        | 1   |
| 23       | 620-15487       | EPB Control Unit (not shown)                                     | 1   |

NOTES: Part Number 230-11861, DynaPro Low Profile Caliper Mounting Bolt Kit, includes P/N's 230-10025, 240-10190 and 240-1159  
 Part Number 230-15861, EPB Caliper Mounting Bolt Kit, includes P/N's 230-15836 and 240-10190  
 Part Number 230-15862, EPB Caliper Bracket Mounting Bolt Kit, includes P/N's 230-10331, 240-10190 and 300-16065  
 Part Number 230-15863, DynaPro Low Profile Caliper Bracket Mounting Bolt Kit, includes P/N's 230-10195 and 240-10190  
 Item 11A is an optional item and is included in the "-D" drilled rotor kits. Add "-D" to end of part number when ordering.  
 Items 12A and 18A are optional items and included in the "-R" red caliper kits. Add "-R" to end of part number when ordering.