

Exploded Assembly Diagram

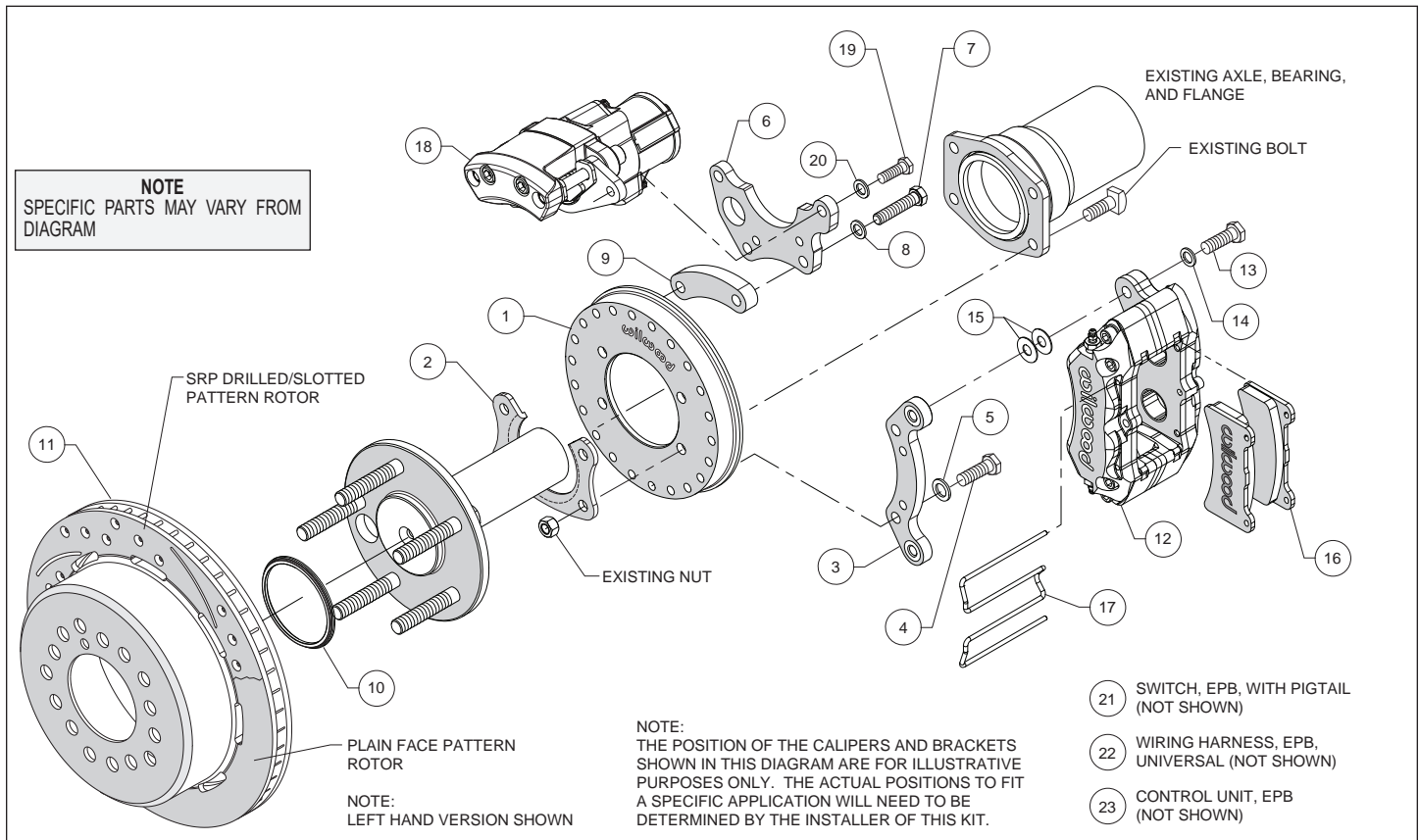


Figure 1. Typical Installation Configuration

Parts List

ITEM NO.	PART NO.	DESCRIPTION	QTY
			2
1	250-16157	Backing Plate, 2.36 Offset (for kit 140-16129)	2
	250-11223	Retainer, Bearing	2
2	250-15847	Bracket, Mounting, Service Caliper	2
3	230-10195	Bolt, 3/8-16 x 1.25 Long, Hex Head	4
4	240-10190	Washer, .391 I.D. x .625 O.D. x .063 Thick	4
5	250-15849	Bracket, Mounting, EPB Caliper	2
6	230-10331	Bolt, 3/8-16 x 1.75 Long, Hex Head	4
7	240-10190	Washer, .391 I.D. x .625 O.D. x .063 Thick	4
8	300-16065	Spacer, .525 Long	2
10	300-11337	Adapter, Rotor Registration	2
			2
11	160-11364	Rotor, ULHP, .81" x 11.00" Dia. (for kit 140-16129)	2
)	2
12	120-16190-BK	Caliper, Forged DynaPro, Low-Profile, Black	2
			2
13	230-10025	Bolt, 3/8-24 x 1.25 Long, Hex Head	4
14	240-10190	Washer, .391 I.D. x .625 O.D. x .063 Thick	4
15	240-1159	Shim, .035 Thick	16
16	150-11363K	Pad, BP-10 Compound, Axle Set	1
17	300-9636	Pad Clip Retainer	2
18	120-15700/01-BK	Caliper, EPB, Black (right and left hand)	2
			2
19	230-15836	Bolt, 3/8-24 x .875 Long, Hex Head	4
20	240-10190	Washer, .391 I.D. x .625 O.D. x .063 Thick	4
21	300-15936	Switch, EPB, with Pigtail (not shown)	1
22	610-15588	EPB Wiring Harness, Universal (not shown)	1
23	620-15487	EPB Control Unit (not shown)	1