

## ***Instruction Sheet 60800-60802 Rear Leaf Spring Drop/Lift Block Kit***

### **Safety Guidelines**

The installation begins with common sense! If the installation is not to be performed with the aid of a full size chassis lift, it is highly recommended that you position the vehicle on a hard, flat and level surface (asphalt in the summer can be very dangerous). NEVER use a bumper or scissor jack for the support of your vehicle! ALWAYS use safety glasses. Place wheel chocks in front of the front tires and support the rear of the vehicle with heavy duty jack stands. Place them under the frame near the rear axle assembly (see figures A and C). Do not place jack stands under the axle tubes or rear end assembly in this installation.

### **Compliance Guidelines**

Be sure to check your local and state laws concerning minimum and maximum bumper height limitations whether lowering or lifting your vehicle in order to comply with the individual regulations of your community.

- 1) Place your floor jack under the center of the rear axle housing for support and control during the remainder of the steps.
- 2) Remove the rear wheels and tires.
- 3) Once the tension has been removed from the leaf springs by moving the floor jack up/down, remove the nuts and u-bolts from the rear axle housing.
- 4) If the axle tube is above the spring (see figure A) slowly raise the jack in order to create enough space to remove the existing blocks if so equipped, and/or to install the new blocks. If the axle tube is below the spring (see figure B) slowly lower the jack in order to create enough space to remove the existing blocks if so equipped, and/or to install the new blocks.
- 5) Place the new block between the spring and the perch. Make sure that the locating pin in the spring and recess in the block are centered and locates itself in the block as well as the pin in the block and the hole in the perch.
- 6) With the blocks in place, raise/lower the jack just enough to push the perch, block and spring completely together.
- 7) Install the u-bolts, washers and nuts (see figures B & D). Cross tighten ( in an X-pattern) and torque to 80 lb. ft.
- 8) Re-torque all of the u-bolt assemblies in the opposite X-pattern, once all eight of the nuts have been torqued in step 6.
- 9) Re-install the wheels and tires and torque the lug nuts to the manufacturers recommended setting.
- 10) Lower the vehicle from the jack stands.
- 11) Check for adequate clearance of the brake lines & hoses, suspension, tires, wheel well openings and all other possible interference areas.
- 12) Test drive the vehicle away from traffic and other objects. Pay close attention to the revised handling characteristics of this modification. Once comfortable, resume driving under normal conditions.
- 13) We recommend that you re-torque the u-bolt assemblies and lug nuts after 15, 50 and 250 miles of use under normal conditions.



**1-800-345-4545 [jeps.com](http://jeps.com)**

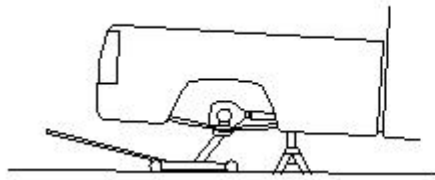


Figure A

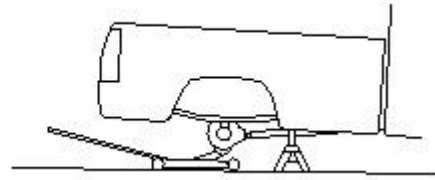


Figure C

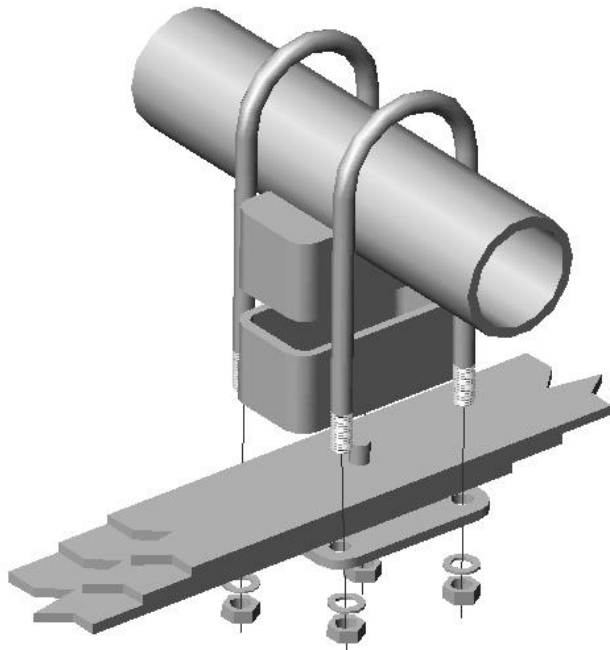


Figure B

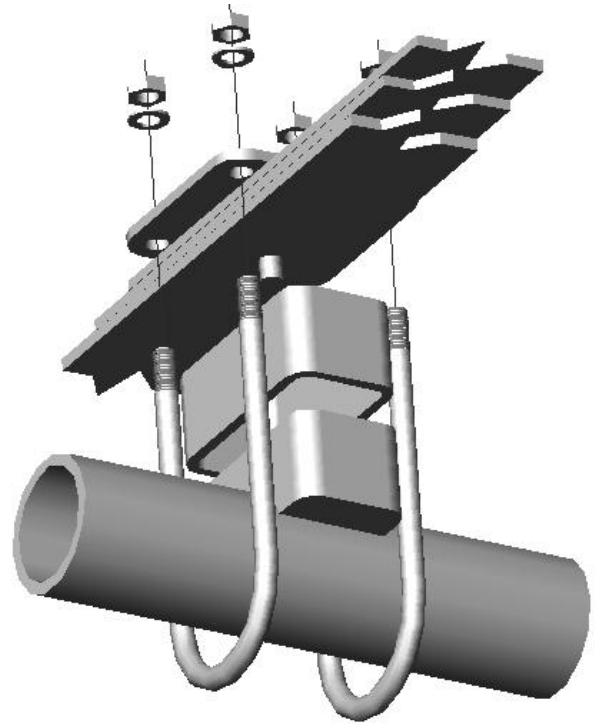


Figure D



1-800-345-4545 [jeps.com](http://jeps.com)