

Installation Instructions for 64600 Track Rod Kit

The track rod kit is used to locate the rear end housing laterally in the car. A track rod or some other lateral locator is necessary with a coil spring rear suspension. Also many leaf spring cars could benefit from installation of a track rod. This track rod attaches to the rear end at one side and extends forward, diagonally to the other side of the car. The track rod must be positioned to swing in an arc that is as closely as possible duplicates the arc defined by the main suspension linkage. This will ensure that the rear end will move completely through its vertical travel without moving laterally. This kit features left hand and right hand rod ends and jam nuts to facilitate easy adjustment without disassembly. Note: Left hand tube end has groove around diameter.

Install the track rod with tack welds only to check alignment. Then finish the welds.

Illustration A below shows a top view of the two curved tabs, supplied with the kit, attached to frame crossmember to mount the front of the track rod. Some grinding may be necessary to align the tabs with your application.

Illustration B shows a typical ladder bar installation. Trim the two curved tabs to match the other tabs. Weld two tabs to the front inside surface of the lower tube of the right bar and two tabs to the rear inside surface of the lower tube of the left bar. Trim the unwelded end of the track rod as necessary to center the housing in the car. Press the threaded tube end into the tube and weld in place. Assemble and adjust and tighten all bolts.

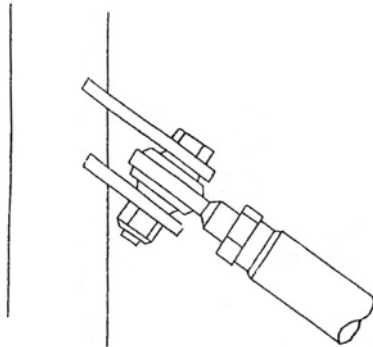


Illustration A

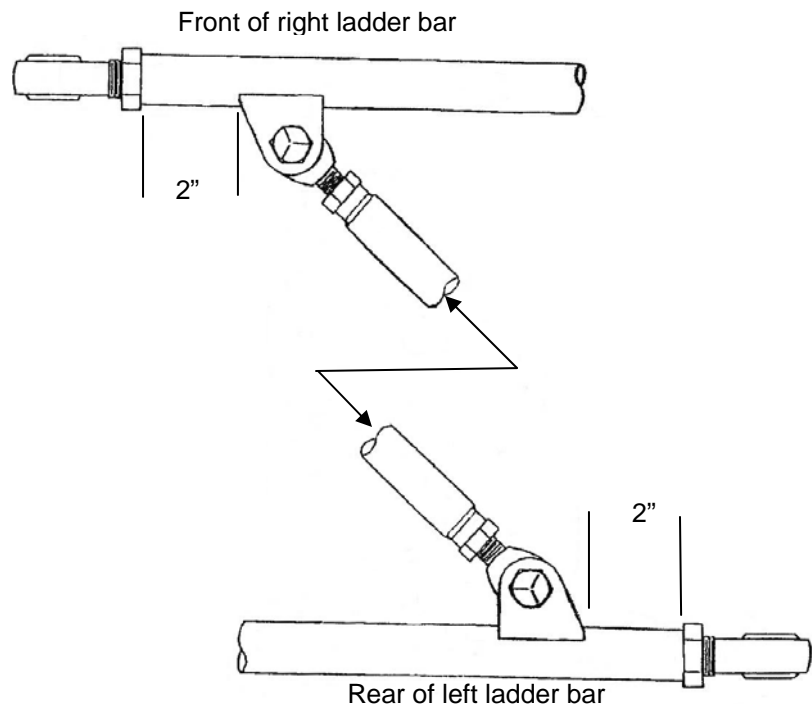


Illustration B

Kit Includes:

- (1) Semi-Finished Track Rod Tube
- (1) 1/2" Threaded Tube End LH
- (1) 1/2" Rod End RH
- (1) 1/2" Rod End LH
- (1) 1/2" Jam Nut RH
- (1) 1/2" Jam Nut LH
- (2) 1/2"-20 x 1-3/4" Bolts
- (2) 1/2" Lock Nuts
- (2) Tabs with Radius Curve Base
- (2) Tabs with Flat Base