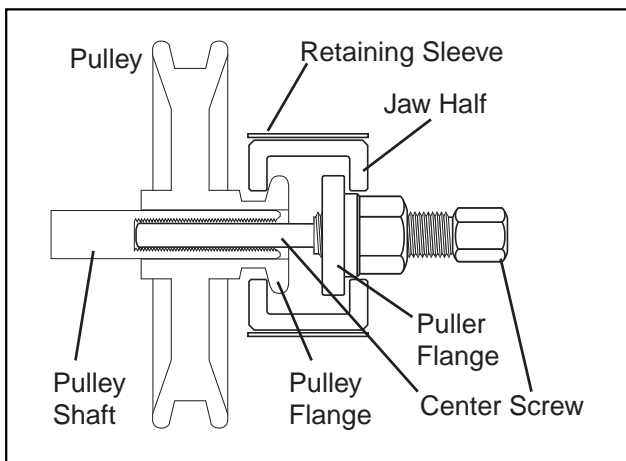


## ***Installation Instructions for 80611 GM Power Steering Pump Pulley Installer***

### **To Remove Pulley**

1. Run puller flange down to end of center screw.
2. Insert tip of center screw into pulley shaft.
3. Put best fitting side of jaw halves over pulley flange and puller flange.
4. Place retaining sleeve over jaw halves.
5. Turn center screw to remove pulley.



### **To Install Pulley**

1. Place pulley over center screw.
2. Turn center screw into threads in pulley shaft.
3. Turn drive nut to press pulley onto shaft.

